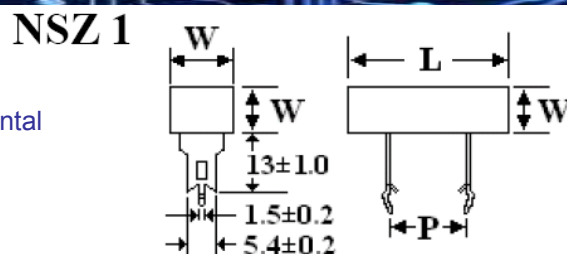
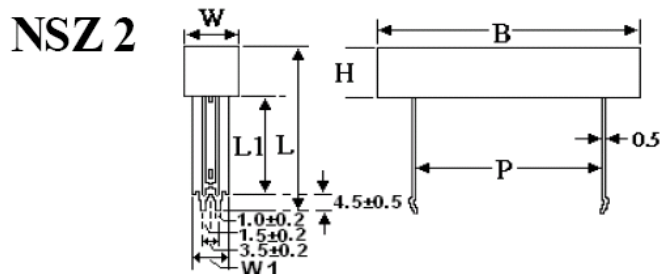


- Features:
- Special lead configurations
 - RoHS compliant / lead-free
 - See CB data sheet for performance and environmental specifications.



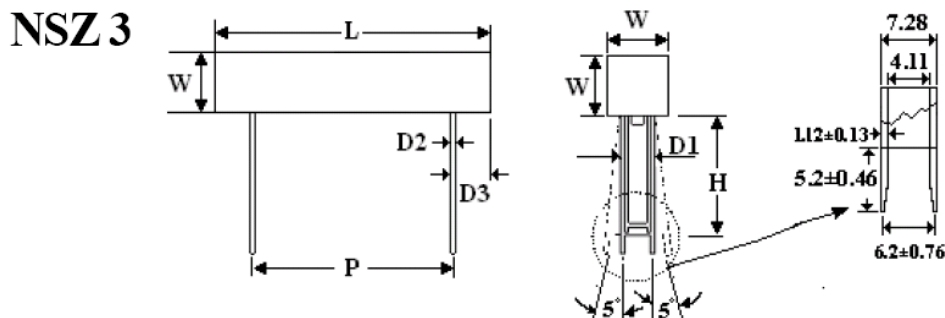
NSZ 1 Specifications								
Type / Code	Power Rating (Watts) @ 25°C	Maximum Working Voltage	Resistance Range Wirewound	Resistance Range Metal Oxide	L ± 0.039 ± 1.0	W ± 0.039 ± 1.0	P ± 0.039 ± 1.0	Units
NSZ 1	5W	300V	1Ω - 680Ω	680Ω - 50KΩ	1.06 27	0.39 10	0.59 15	inches mm
NSZ 1	7W	350V	1Ω - 1KΩ	1K - 50KΩ	1.38 35	0.39 10	0.89 22.5	inches mm
NSZ 1	10W	500V	1Ω - 1KΩ	1K - 50KΩ	1.89 48	0.39 10	1.38 35	inches mm



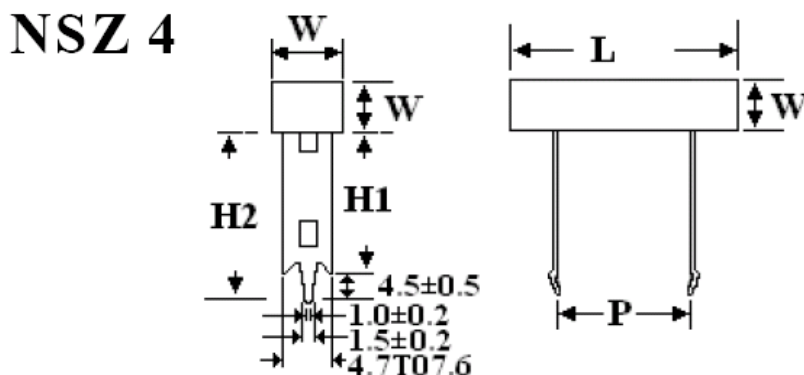
NSZ 2 Specifications												
Type / Code	Power Rating (Watts) @ 25°C	Maximum Working Voltage	Resistance Range Wirewound	Resistance Range Metal Oxide	B ± 0.039 ± 1	H ± 0.02 ± 0.5	W ± 0.02 ± 0.5	W1 ± 0.004 ± 1	P ± 0.039 ± 1	L ± 0.039 ± 1	L1 +0.08/-0.04 +2/-1	Units
NSZ 2	3W	200V	0.1Ω - 470Ω	470Ω - 50KΩ	0.98 25	0.39 9.8	0.39 9.8	0.29 7.3	0.49 12.5	1.15 29.3	0.59 15	inches mm
NSZ 2	5W	300V	0.1Ω - 680Ω	680Ω - 50KΩ	1.1 28	0.39 9.8	0.39 9.8	0.29 7.3	0.59 15	1.15 29.3	0.59 15	inches mm
NSZ 2	7W	350V	0.1Ω - 1KΩ	1KΩ - 50KΩ	1.4 35.5	0.39 9.8	0.39 9.8	0.29 7.3	0.89 22.5	1.15 29.3	0.59 15	inches mm
NSZ 2	10W	500V	0.1Ω - 1.2KΩ	1.2KΩ - 50KΩ	1.89 48	0.39 9.8	0.39 9.8	0.29 7.3	1.38 35	1.15 29.3	0.59 15	inches mm
NSZ 2	15W	600V	0.1Ω - 2KΩ	2KΩ - 50KΩ	1.89 48	0.47 12	0.47 12	0.29 7.3	1.28 32.5	1.24 31.5	0.59 15	inches mm

How to Order

SEI Type	Code	Power Ratings	Nominal Resistance	Tolerance	Packaging
NSZ	1	7	1K	5%	A
Type	Description	Code	Code Watts	Tolerance Values	Types Qty Description Code
NSZ	Ceramic Housed Wirewound with Specialty Leads	1	3 3W	5% E24	All 1,000 Bulk A
		2	5 5W		
		3	7 7W		
		4	10 10W		
			15 15W		
			20 20W		



NSZ 3 Specifications												
Type / Code	Power Rating (Watts) @ 25°C	Maximum Working Voltage	Resistance Range Wirewound	Resistance Range Metal Oxide	L +0.04/-0.08 +1.02/-2.03	W ±0.05 ±1.27	P ±0.06 ±1.52	H ±0.085 ±2.085	D1 ±0.012 ±0.31	D2 ±0.04 ±0.1	D3 MIN	Units
NSZ 3	5W	300V	0.1Ω - 680Ω	680Ω - 50KΩ	1.06 27	0.39 10	0.59 15	0.39 10	0.29 7.3	0.02 0.46	0.24 6.2	inches mm
NSZ 3	7W	350V	0.1Ω - 1KΩ	1KΩ - 50KΩ	1.43 36.4	0.39 10	0.89 22.49	0.98 24.93	0.29 7.28	0.02 0.46	0.15 3.81	inches mm
NSZ 3	10W	500V	0.1Ω - 1.2KΩ	1.2KΩ - 50KΩ	1.89 47.97	0.39 9.82	1.38 35.03	0.98 24.93	0.29 7.28	0.02 0.46	0.15 3.81	inches mm
NSZ 3	15W	600V	0.1Ω - 2KΩ	2KΩ - 50KΩ	1.89 47.9	0.49 12.49	1.28 32.49	0.98 24.93	0.29 7.28	0.02 0.46	0.15 3.81	inches mm



NSZ 4 Specifications										
Type / Code	Power Rating (Watts) @ 25°C	Maximum Working Voltage	Resistance Range Wirewound	Resistance Range Metal Oxide	H1 ±0.039 ±1	H2 ±0.039 ±1	L MAX	P ±0.039 ±1	W MAX	Units
NSZ 4	5W	300V	0.1Ω - 680Ω	680Ω - 50KΩ	0.98 25	1.18 30	1.06 27	0.59 15	0.39 10	inches mm
NSZ 4	7W	350V	0.1Ω - 1KΩ	1KΩ - 50KΩ	0.8 25	1.26 32	1.38 35	0.94 24	0.39 10	inches mm
NSZ 4	10W	500V	0.1Ω - 2KΩ	2KΩ - 50KΩ	0.98 25	1.26 32	1.89 48	1.38 35	0.39 10	inches mm
NSZ 4	15W	600V	0.1Ω - 2KΩ	2KΩ - 50KΩ	0.98 25	1.26 32	1.89 48	1.26 32	0.47 12	inches mm
NSZ 4	20W	700V	0.1Ω - 2KΩ	2KΩ - 50KΩ	1.18 30	1.38 35	2.56 65	1.77 45	0.53 13.5	inches mm