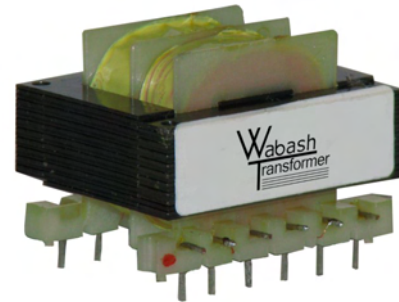


## Split Bobbin Power Transformer

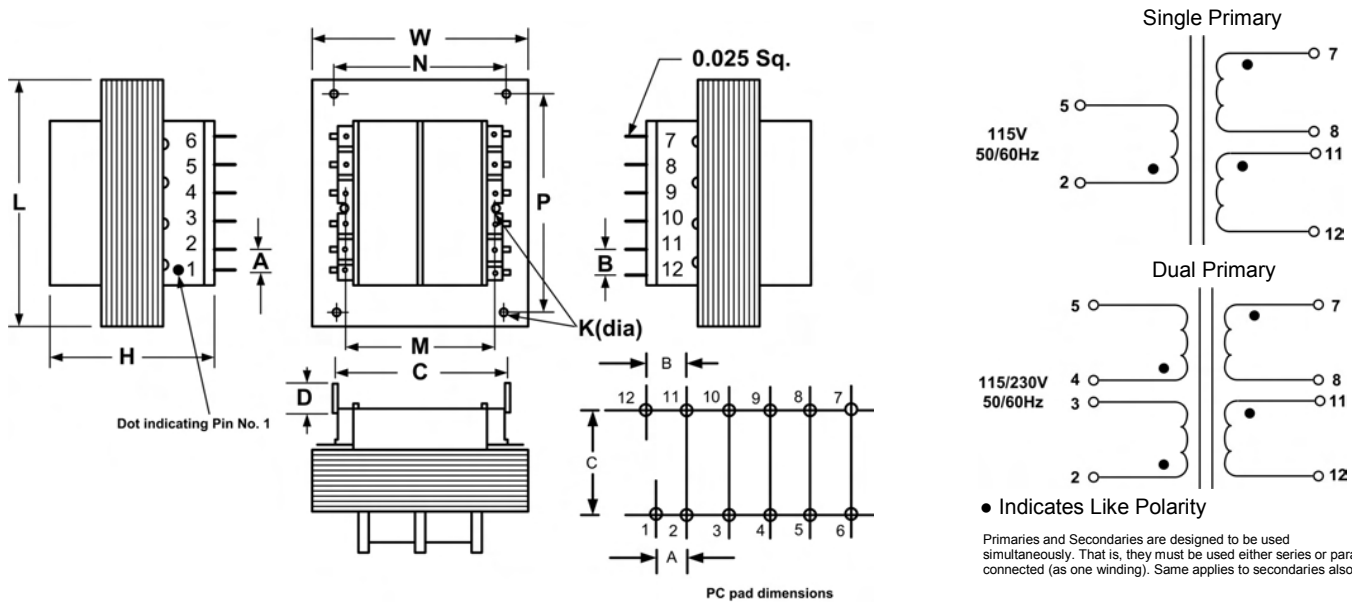
### Series: PSX & PDX - Printed Circuit Mount, Horizontal 12 Pins

- Power Rating 1.2VA to 30VA
- Single or Dual Primary, 115V or 115/230V
- Frequency 50/60HZ
- Series or Parallel Secondary
- Dielectric Strength – 1500 Vrms
- Insulation Class B (130°C)



#### Agency Approvals:

- UL/cUL 5085-2 Recognized (File E47299)
- Insulation File No. E95662



VA Rating	Dimensions (Inches)							Mounting Dimension				Wgt. lbs
	L	W	H	A	B	C	D	K	M	N	P	
1.2	1.38	1.12	1.13	0.150	0.200	0.860	0.172	-	1.000	-	-	0.165
2.4	1.38	1.12	1.13	0.150	0.200	0.860	0.172	-	1.000	-	-	0.230
5	1.63	1.31	1.13	0.200	0.250	0.950	0.188	-	1.060	-	-	0.310
10	1.88	1.56	1.26	0.200	0.300	1.100	0.188	-	1.250	-	-	0.520
20	2.25	1.87	1.41	0.200	0.300	1.300	0.140	0.219 X 0.09*	1.687	1.50	1.87	0.780
30	2.25	1.87	1.79	0.200	0.300	1.300	0.140	0.219 X 0.09*	1.687	1.50	1.87	1.150

\* = Slots

Any application, Any requirement, Contact us for our Custom Designs

## Split Bobbin Power Transformer

Series: PSX & PDX - Printed Circuit Mount, Horizontal 12 Pins

### Partial Selection Guide

VA	Part Number		Secondary		VA	Part Number		Secondary	
	115V	115/230V	Series	Parallel		115V	115/230V	Series	Parallel
1.2	PSX-012-10	PDX-012-10	10VCT @ 120A	5V @ 240mA	10	PSX-10-10	PDX-10-10	10VCT @ 1.0A	5V @ 2.0A
	PSX-012-126	PDX-012-126	12.6VCT @ 95mA	6.3V @ 190mA		PSX-10-126	PDX-10-126	12.6VCT @ 790mA	6.3V @ 1.59A
	PSX-012-16	PDX-012-16	16VCT @ 75mA	8V @ 150mA		PSX-10-16	PDX-10-16	16VCT @ 625mA	8V @ 1.25A
	PSX-012-20	PDX-012-20	20VCT @ 60mA	10V @ 120mA		PSX-10-20	PDX-10-20	20VCT @ 500mA	10V @ 1.0A
	PSX-012-24	PDX-012-24	24VCT @ 50mA	12V @ 100mA		PSX-10-24	PDX-10-24	24VCT @ 416mA	12V @ 833mA
	PSX-012-28	PDX-012-28	28VCT @ 43mA	14V @ 86mA		PSX-10-28	PDX-10-28	28VCT @ 357mA	14V @ 714mA
	PSX-012-36	PDX-012-36	36VCT @ 33mA	18V @ 66mA		PSX-10-36	PDX-10-36	36VCT @ 278mA	18V @ 556mA
	PSX-012-48	PDX-012-48	48VCT @ 25mA	24V @ 50mA		PSX-10-48	PDX-10-48	48VCT @ 208mA	24V @ 416mA
	PSX-012-56	PDX-012-56	56VCT @ 21mA	28V @ 42mA		PSX-10-56	PDX-10-56	56VCT @ 178mA	28V @ 357mA
	PSX-012-120	PDX-012-120	120VCT @ 10mA	60V @ 20mA		PSX-10-120	PDX-10-120	120VCT @ 83mA	60V @ 166mA
2.4	PSX-24-10	PDX-24-10	10VCT @ 240mA	5V @ 480mA	20	PSX-20-10	PDX-20-10	10VCT @ 2.0A	5V @ 4.0A
	PSX-24-126	PDX-24-126	12.6VCT @ 190mA	6.3V @ 380mA		PSX-20-126	PDX-20-126	12.6VCT @ 1.58A	6.3V @ 3.17A
	PSX-24-16	PDX-24-16	16VCT @ 150mA	8V @ 300A		PSX-20-16	PDX-20-16	16VCT @ 1.25A	8V @ 2.50A
	PSX-24-20	PDX-24-20	20VCT @ 120mA	10V @ 240mA		PSX-20-20	PDX-20-20	20VCT @ 1.0A	10V @ 2.0A
	PSX-24-24	PDX-24-24	24VCT @ 100mA	12V @ 200mA		PSX-20-24	PDX-20-24	24VCT @ 833mA	12V @ 1.67A
	PSX-24-28	PDX-24-28	28VCT @ 85mA	14V @ 170mA		PSX-20-28	PDX-20-28	28VCT @ 714mA	14V @ 1.43A
	PSX-24-36	PDX-24-36	36VCT @ 66mA	18V @ 133mA		PSX-20-36	PDX-20-36	36VCT @ 55mA	18V @ 1.11A
	PSX-24-48	PDX-24-48	48VCT @ 50mA	24V @ 100mA		PSX-20-48	PDX-20-48	48VCT @ 416mA	24V @ 833mA
	PSX-24-56	PDX-24-56	56VCT @ 43mA	28V @ 86mA		PSX-20-56	PDX-20-56	56VCT @ 357mA	28V @ 714mA
	PSX-24-120	PDX-24-120	120VCT @ 20mA	60V @ 40mA		PSX-20-120	PDX-20-120	120VCT @ 167mA	60V @ 334mA
5	PSX-05-10	PDX-05-10	10VCT @ 500mA	5V @ 1.0A	30	PSX-30-10	PDX-30-10	10VCT @ 3.0A	5V @ 6.0A
	PSX-05-126	PDX-05-126	12.6VCT @ 397mA	6.3V @ 794mA		PSX-30-12	PDX-30-12	12VCT @ 2.5A	6V @ 5.0A
	PSX-05-16	PDX-05-16	16VCT @ 312mA	8V @ 624mA		PSX-30-16	PDX-30-16	16VCT @ 1.875A	8V @ 3.75A
	PSX-05-20	PDX-05-20	20VCT @ 250mA	10V @ 500mA		PSX-30-20	PDX-30-20	20VCT @ 1.5A	10V @ 3.0A
	PSX-05-24	PDX-05-24	24VCT @ 208mA	12V @ 416mA		PSX-30-24	PDX-30-24	24VCT @ 1.25A	12V @ 2.5A
	PSX-05-28	PDX-05-28	28VCT @ 178mA	14V @ 357mA		PSX-30-28	PDX-30-28	28VCT @ 1.071A	14V @ 2.142A
	PSX-05-36	PDX-05-36	36VCT @ 139mA	18V @ 278mA		PSX-30-36	PDX-30-36	36VCT @ 833mA	18V @ 1.67A
	PSX-05-48	PDX-05-48	48VCT @ 104mA	24V @ 208mA		PSX-30-48	PDX-30-48	48VCT @ 625mA	24V @ 1.25A
	PSX-05-56	PDX-05-56	56VCT @ 89mA	28V @ 178mA		PSX-30-56	PDX-30-56	56VCT @ 536mA	28V @ 1.072A
	PSX-05-120	PDX-05-120	120VCT @ 42mA	60V @ 84mA		PSX-30-120	PDX-30-120	120VCT @ 250mA	60V @ 500mA

Any application, Any requirement, Contact us for our Custom Designs