

MAXIMUM RATINGS PER DIODE			
PARAMETER	SYMBOL		UNITS
WORKING PEAK REVERSE VOLTAGE	VRRM	700	V
AVERAGE FORWARD CURRENT	IF(AV)	70	A
PEAK ONE CYCLE NON-REPETITIVE SURGE CURRENT	IFSM	700	A
OPERATING JUNCTION TEMPERATURE RANGE	TJ	-55 TO +175	°C
STORAGE TEMPERATURE RANGE	Tstg	-55 TO +175	°C
THERMAL RESISTANCE JUNCTION TO CASE	RθJc	0.8	°C/W

700V, 70A, 75ns

SDR70700 JEC
SDR70700 JED

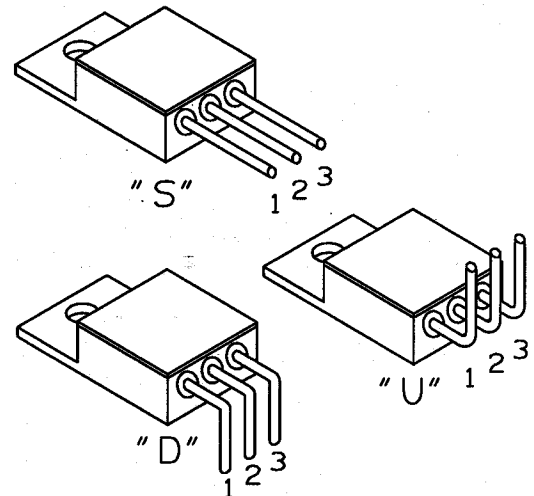
FEATURES

- RUGGED PACKAGE
- HI-REL CONSTRUCTION
- CERAMIC EYELETS
- LEAD BENDING OPTIONS
- COPPER CORED 52 ALLOY PINS
- LOW IR LOSSES
- LOW THERMAL RESISTANCE
- OPTIONAL MIL-S-19500 OR MIL-STD-883 SCREENING

ELECTRICAL CHARACTERISTICS T _c = 25°C (UNLESS OTHERWISE SPECIFIED)					
PARAMETER	SYMBOL	TEST CONDITIONS		UNITS	
MAX. PEAK FORWARD VOLTAGE ①	VF	TJ=25°C	IFM=70A	1.5	V
MAX. PEAK REVERSE CURRENT ①	IRM	TJ=25°C	VRWM=700V	50	μA
		TJ=125°C		5.0	mA
REVERSE RECOVERY	t _{rr}	IF=0.5A, IR=1A IREC=0.25A		75	ns

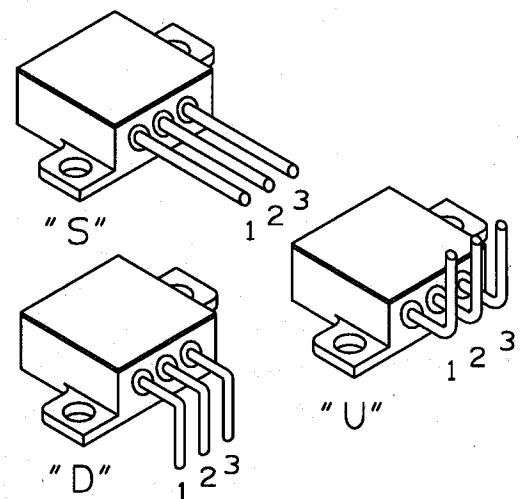
(1) PULSE TEST: PULSE WIDTH 300μS, DUTY CYCLE 2%

STANDARD BEND CONFIGURATIONS **JEC**



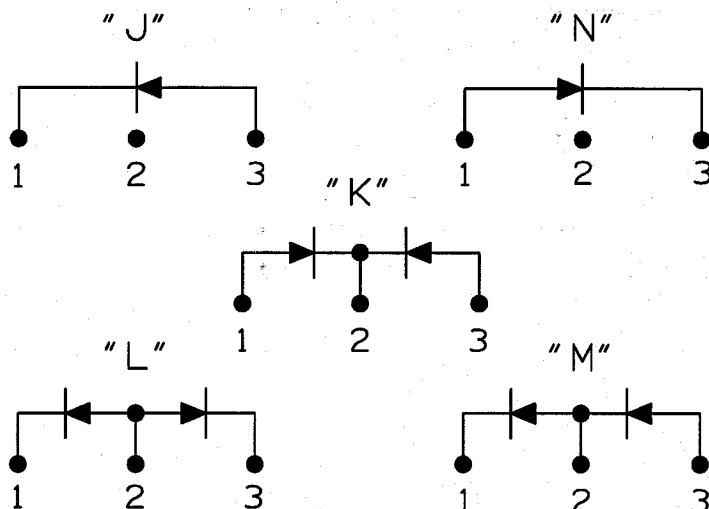
(CUSTOM BEND OPTIONS AVAILABLE)

STANDARD BEND CONFIGURATIONS **JED**



(CUSTOM BEND OPTIONS AVAILABLE)

PIN OUT CONFIGURATIONS



PIN	"J"	"K"	"L"	"M"	"N"
1	CATHODE	ANODE	CATHODE	CATHODE	ANODE
2	NO CONN.	COMMON	COMMON	COMMON	NO CONN.
3	ANODE	ANODE	CATHODE	ANODE	CATHODE
PKG.	JEC, JED	JEC, JED	JEC, JED	JEC, JED	JEC, JED

CASE = NO CONNECTION