

PRODUCT CATALOG

SCHOTTKY POWER RECTIFIERS

3301 ELECTRONICS WAY, WEST PALM BEACH, FLORIDA 33407
 TEL: (407) 848-4311 FAX: (407) 863-5946

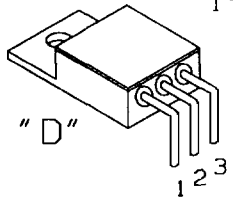
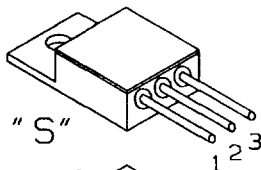
45V, 10A, 0.65V	
SDS10045	JAA
SDS10045	JAB
SDS10045	JDA
SDS10045	JFA
SDS10045	JFB

FEATURES

- RUGGED PACKAGE
- HI-REL CONSTRUCTION
- CERAMIC EYELETS: JAA, JAB, JFA, JFB
- LEAD BENDING OPTIONS
- COPPER CORED 52 ALLOY PINS
- LOW IR LOSSES
- LOW THERMAL RESISTANCE
- OPTIONAL MIL-S-19500 OR MIL-STD-883 SCREENING

STANDARD BEND CONFIGURATIONS

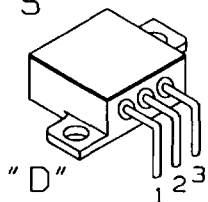
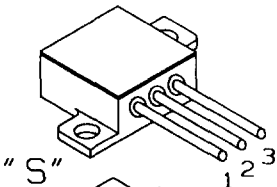
JAA
JDA
JFA



(CUSTOM BEND OPTIONS AVAILABLE)

STANDARD BEND CONFIGURATIONS

JAB
JFB



(CUSTOM BEND OPTIONS AVAILABLE)

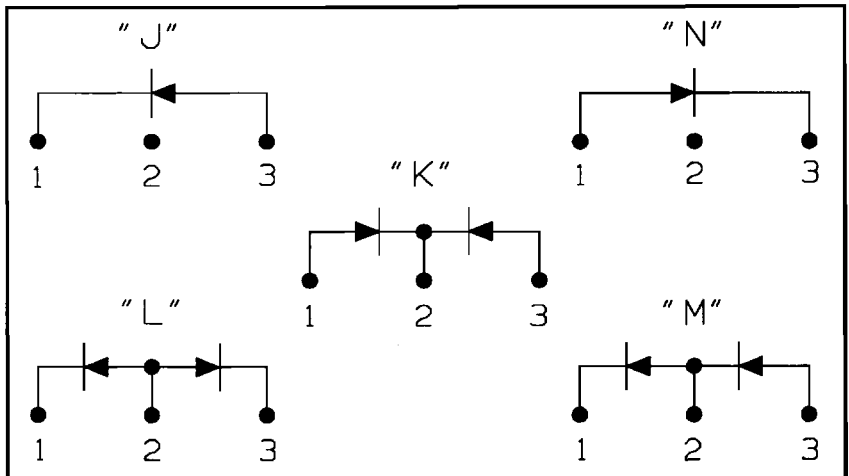
MAXIMUM RATINGS PER DIODE

PARAMETER	SYMBOL		UNITS
WORKING PEAK REVERSE VOLTAGE	VRRM	45	V
AVERAGE FORWARD CURRENT	IF(AV)	10	A
PEAK ONE CYCLE NON-REPETITIVE SURGE CURRENT	IFSM	260	A
PEAK REPETITIVE REVERSE CURRENT	IRRM	1.0	A
OPERATING JUNCTION TEMPERATURE RANGE	TJ	-65 TO +150	°C
STORAGE TEMPERATURE RANGE	Tstg	-65 TO +150	°C
THERMAL RESISTANCE JUNCTION TO CASE	RθJc	3.0	°C/W

ELECTRICAL CHARACTERISTICS Tc = 25°C (UNLESS OTHERWISE SPECIFIED)

PARAMETER	SYMBOL	TEST CONDITIONS		UNITS
MAX. PEAK FORWARD VOLTAGE (1)	VF	TJ=25°C IFM=10A	0.65	V
MAX. PEAK REVERSE CURRENT (1)	IRM	TJ=25°C	6	mA
		TJ=125°C VRWM=45V	25	
CAPACITANCE	Ct	Tc=25°C, VR=5VDC f=100KHZ TO 1 MHZ	1000	Pf

(1) PULSE TEST: PULSE WIDTH 300µS, DUTY CYCLE 2%



PIN	"J"	"K"	"L"	"M"	"N"
1	CATHODE	ANODE	CATHODE	CATHODE	ANODE
2	NO CONN.	COMMON	COMMON	COMMON	NO CONN.
3	ANODE	ANODE	CATHODE	ANODE	CATHODE
PKG.	JAA, JAB JDA, JFA JFB	JAA, JAB JDA, JFA JFB	JAA, JAB JFA, JFB	JAA, JAB JFA, JFB	JAA, JAB JDA, JFA JFB

CASE = NO CONNECTION