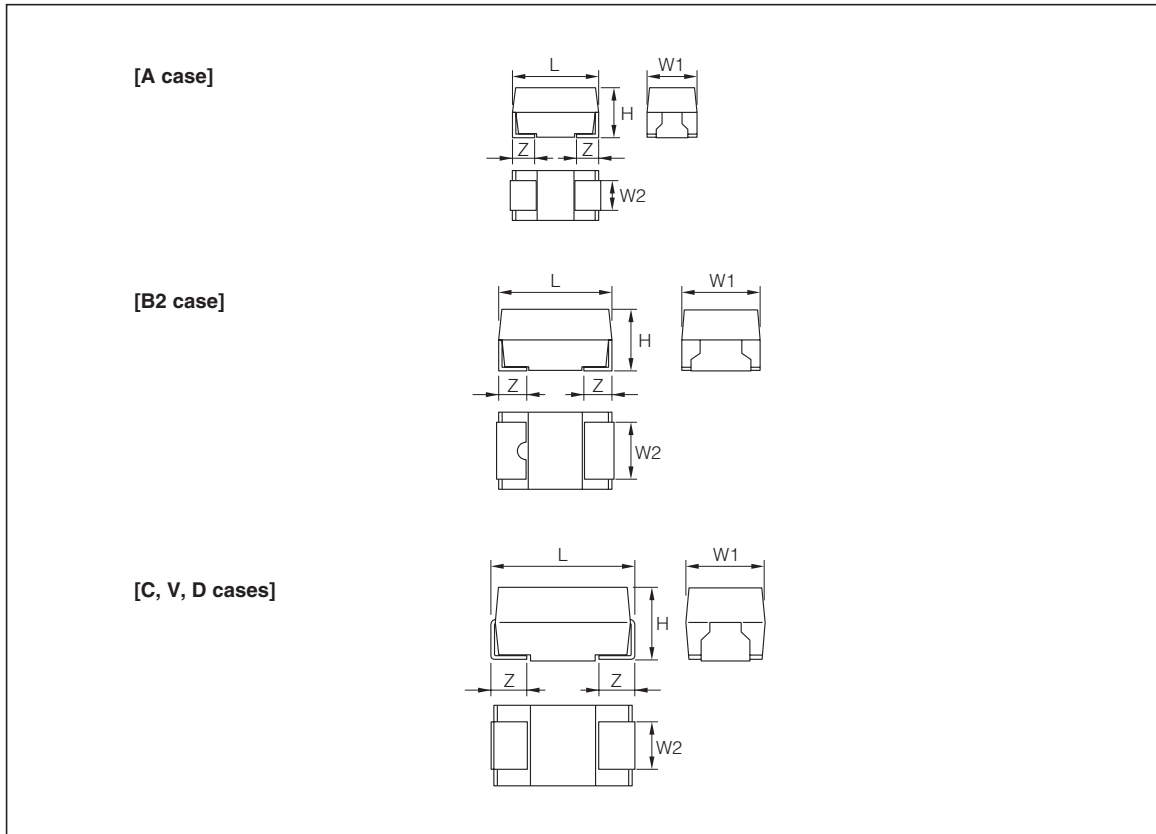


### ■ FEATURES

- Lead-free Type. RoHS Compliant.
- Low-ESR Type.
- For decoupling with CPU, for absorbing the noise.
- Same Dimension as E/SV series.

### ■ DIMENSIONS [mm]



Manganese dioxide type

(Unit: mm)

Case code	EIA code	L	W <sup>1</sup>	W <sup>2</sup>	H	Z
A	3216	3.2±0.2	1.6±0.2	1.2±0.1	1.6±0.2	0.8±0.2
B2	3528	3.5±0.2	2.8±0.2	2.2±0.1	1.9±0.2	0.8±0.2
C2	—	6.0±0.2	3.2±0.2	2.2±0.1	1.4±0.1	1.3±0.2
C	6032	6.0±0.2	3.2±0.2	2.2±0.1	2.5±0.2	1.3±0.2
V	7343L	7.3±0.2	4.3±0.2	2.4±0.1	1.9±0.1	1.3±0.2
D	7343	7.3±0.2	4.3±0.2	2.4±0.1	2.8±0.2	1.3±0.2



- All specifications in this catalog and production status of products are subject to change without notice. Prior to the purchase, please contact NEC Tokin for updated product data.
- Please request for a specification sheet for detailed product data prior to the purchase.
- Before using the product in this catalog, please read "Precautions" and other safety precautions listed in the printed version catalog.

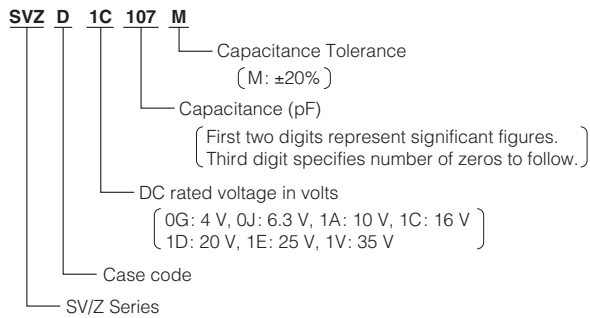
## ■ STANDARD C-V VALUE REFERENCE BY CASE CODE

r.F		U <sup>R</sup>		4V	6.3V	10V	16V	20V	25V	35V
		0G	0J	1A	1C	1D	1E	1V		
6.8	685								C 600	C 600
10	106		A 800	B2 600						D 300
15	156								D 250	D 300
22	226		B2 800						D 200	
33	336							D 200		
47	476			C, D 300, 140	D 150			D 150		
68	686		B2 250	B2 250	C, D 200, 150					
100	107		C, D 150, 150	C2, C, V, D 150, 125, 150, 100	D 100					
150	157		C, D 125, 100	V, D 150, 100						
220	227	D 100	V, D 150, 100	D 100						
330	337	V, D 150, 100	V, D 100, 100							

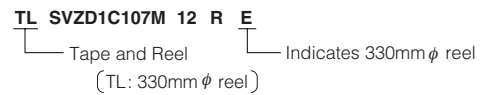
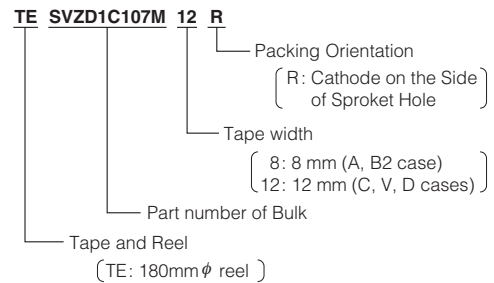
Number : ESR (mΩ)

## ■ PART NUMBER SYSTEM

### [Bulk]



### [Tape and Reel]

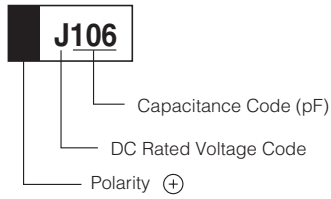


- All specifications in this catalog and production status of products are subject to change without notice. Prior to the purchase, please contact NEC Tokin for updated product data.
- Please request for a specification sheet for detailed product data prior to the purchase.
- Before using the product in this catalog, please read "Precautions" and other safety precautions listed in the printed version catalog.

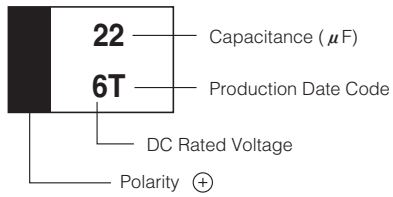
■ MARKINGS

The standard marking shows capacitance, DC rated voltage, and polarity.

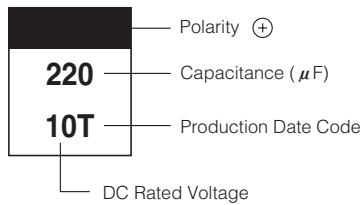
[A case] (ex. 10  $\mu$ F / 6.3 V)



[B2 case] (ex. 22  $\mu$ F / 6.3 V)



[C2, C, V, D case] (ex. 220  $\mu$ F / 10 V)



Manganese dioxide type

[DC Rated Voltage code]

Code	G	J	A	C	D	E	V
Rated Voltage	4 V	6.3 V	10 V	16 V	20 V	25 V	35V

[B2, C2, C, V, D cases production date code]

Y \ M	Jan.	Feb.	Mar.	Apr.	May.	Jun.	Jul.	Aug.	Sep.	Oct.	Nov.	Dec.
2005	A	B	C	D	E	F	G	H	J	K	L	M
2006	N	P	Q	R	S	T	U	V	W	X	Y	Z
2007	a	b	c	d	e	f	g	h	j	k	l	m
2008	n	p	q	r	s	t	u	v	w	x	y	z

Note : Production date code will resume beginning in 2009



- All specifications in this catalog and production status of products are subject to change without notice. Prior to the purchase, please contact NEC Tokin for updated product data.
- Please request for a specification sheet for detailed product data prior to the purchase.
- Before using the product in this catalog, please read "Precautions" and other safety precautions listed in the printed version catalog.

## ■ PERFORMANCE CHARACTERISTICS

Test Conditions : Conform to IEC 60384-1

ITEM		PERFORMANCE						TEST CONDITION	
Operating temperature		-55°C to +125°C						Derate voltage at 85°C at more	
Rated voltage (V.dc)		4V	6.3V	10V	16V	20V	25V	35V	at 85°C
Derated voltage (V.dc)		2.5V	4V	6.3V	10V	13V	16V	22V	at 125°C
Surge voltage (V.dc)		5.2V	8V	13V	20V	26V	33V	46V	at 85°C
Capacitance		6.8 μF to 330 μF						at 120 Hz	
Capacitance tolerance		±20% or ±10%							
DC Leakage Current (L.C)		0.01C · V(μA) or 0.5 μA, whichever is greater						Voltage: Rated voltage for 5min.	
Dissipation Factor		Refer to Standard Ratings						at 120 Hz	
Equivalent Series Resistance		Refer to Standard Ratings						at 100 kHz	
		Capacitance change	DF(%)		L.C				
Surge voltage test		Refer to Standard Ratings	Lower than initial specification		Lower than initial specification			Temperature : 85±2°C Applied voltage : Surge voltage Series resistance : 33 ohm Duration of surge : 30±5 sec Time between surge : 5.5min. Number of cycle : 1000	
Characteristic at high and low temperature	-55°C	Not to exceed -12%	Refer to Standard Ratings		—————			Step 1: 25±2°C Step 2: -55.3°C Step 3: 25±2°C Step 4: 125.3°C	
	+85°C	Not to exceed +12%	Lower than initial specification		0.1C · V(μA) or 5 μA, which ever is greater				
	+125°C	Not to exceed +15%	Refer to Standard Ratings		0.125C · V(μA) or 6.25 μA, which ever is greater				
Rapid change of temperature		Refer to Standard Ratings	Lower than initial specification		Lower than initial specification			Parts shall be temperature cycled over a temperature range of -55 to +125°C, five times continuously as follow. Step 1: -55.3°C, 30±3min. Step 2: room temp., 10 to 15min. Step 3: 125.3°C, 30±3min. Step 4: room temp, 10 to 15min.	
Resistance to Soldering heat		Refer to Standard Ratings	Lower than initial specification		Lower than initial specification			solder dip : 260°C, 5sec solder reflow : 260°C, 10sec	
Damp heat		Refer to Standard Ratings	Lower than 1.25 times initial specification		Lower than initial specification			at 40°C at 90 to 95% RH 500 hour	
Endurance		Refer to Standard Ratings	Lower than initial specification		Lower than 1.25 times initial specification			at 85°C : Rated voltage at 125°C : Derated voltage 2000 hour	
Failure Rate		λ <sub>0</sub> = 1% / 1000 hour						at 85°C : Rated voltage at 125°C : Derated voltage 2000 hour	
Terminal Strength		Visual: There shall be no evidence of mechanical damage						Strength : 4.9N Time : 10±0.5sec. (two directions)	

Reference : Derated voltage (85 to 125°C)

$$[U_T] = [U_R] - \frac{[U_R] - [U_C]}{40} (T-85)$$

[U<sub>T</sub>] : Derated voltage at operating temperature

[U<sub>R</sub>] : Rated voltage

[U<sub>C</sub>] : Derated voltage at 125°C

T : Ambient temperature



- All specifications in this catalog and production status of products are subject to change without notice. Prior to the purchase, please contact NEC Tokin for updated product data.
- Please request for a specification sheet for detailed product data prior to the purchase.
- Before using the product in this catalog, please read "Precautions" and other safety precautions listed in the printed version catalog.

STANDARD RATINGS

Rated Voltage (V)	Capacitance (μF)	Case Code	Part Number (Bulk)	Leakage Current (μA)	DF (%)	ESR (Ω)	DF (%)		Capacitance Change	
							-55°C	+125°C	at Surge Voltage at Damp Heat at Resistance to Soldering Heat	at Endurance
4	220	D	SVZD0G227M	8.8	8	0.1	18	10	± 5%	±10%
	330	V	SVZV0G337M	13.2	12	0.15	18	14	±12%	±12%
	330	D	SVZD0G337M	13.2	14	0.1	18	16	±12%	±12%
6.3	10	A	SVZA0J106M	0.6	8	0.8	12	10	±12%	±12%
	22	B2	SVZB20J226M	1.3	8	0.8	12	10	± 5%	±10%
	68	B2	SVZB20J686M	4.2	10	0.25	18	12	±12%	±12%
	100	C	SVZC0J107M	6.3	10	0.15	14	12	±12%	±12%
	100	D	SVZD0J107M	6.3	8	0.15	12	10	± 5%	±10%
	150	C	SVZC0J157M	9.4	10	0.125	18	12	±12%	±12%
	150	D	SVZD0J157M	9.4	8	0.1	18	10	± 5%	±10%
	220	V	SVZV0J227M	13.8	12	0.15	18	14	±12%	±12%
	220	D	SVZD0J227M	13.8	12	0.1	18	14	±12%	±12%
	330	V	SVZV0J337M	20.7	14	0.1	26	16	±20%	±20%
	330	D	SVZD0J337M	20.7	14	0.1	26	16	±12%	±12%
10	10	B2	SVZB21A106M	1	8	0.6	12	10	± 5%	±10%
	47	C	SVZC1A476M	4.7	8	0.3	12	10	± 5%	±10%
	47	D	SVZD1A476M	4.7	8	0.14	12	10	± 5%	±10%
	68	B2	SVZB21A686M	6.8	12	0.25	14	14	±12%	±12%
	100	C2	SVZC21A107M	10	10	0.15	18	14	±12%	±12%
	100	C	SVZC1A107M	10	10	0.125	18	12	±12%	±12%
	100	V	SVZV1A107M	10	8	0.15	18	10	±12%	±12%
	100	D	SVZD1A107M	10	8	0.1	18	10	± 5%	±10%
	150	V	SVZV1A157M	15	8	0.15	14	10	±12%	±12%
	150	D	SVZD1A157M	15	10	0.1	18	12	±12%	±12%
	220	D	SVZD1A227M	22	12	0.1	22	14	±12%	±12%
16	47	D	SVZD1C476M	7.5	6	0.15	10	8	± 5%	±10%
	68	C	SVZC1C686M	10.8	6	0.2	16	10	±12%	±12%
	68	D	SVZD1C686M	10.8	6	0.15	10	8	± 5%	±10%
	100	D	SVZD1C107M	16	8	0.1	18	10	±12%	±12%
20	33	D	SVZD1D336M	6.6	6	0.2	10	8	± 5%	±10%
	47	D	SVZD1D476M	9.4	6	0.15	10	8	± 5%	±10%
25	6.8	C	SVZC1E685M	1.7	6	0.6	10	8	± 5%	±10%
	15	D	SVZD1E156M	3.7	6	0.25	10	8	± 5%	±10%
	22	D	SVZD1E226M	5.5	6	0.2	10	8	± 5%	±10%
35	6.8	C	SVZC1V685M	2.3	6	0.6	10	8	± 5%	±10%
	10	D	SVZD1V106M	3.5	6	0.3	10	8	± 5%	±10%
	15	D	SVZD1V156M	5.2	6	0.3	10	8	± 5%	±10%

Manganese dioxide type



- All specifications in this catalog and production status of products are subject to change without notice. Prior to the purchase, please contact NEC Tokin for updated product data.
- Please request for a specification sheet for detailed product data prior to the purchase.
- Before using the product in this catalog, please read "Precautions" and other safety precautions listed in the printed version catalog.