

SWITCH - TOGGLE

32NT391 SERIES CHART 1

CATALOG LISTING

THIS DRAWING COVERS A PROPRIETARY ITEM AND IS THE PROPERTY OF MICRO SWITCH. A DIVISION OF HONEYWELL. THIS DRAWING IS NOT TO BE COPIED OR USED WITHOUT THE APPROVAL OF MICRO SWITCH

CATALOG LISTING
32NT391 SERIES CHART 1

PAGE 1 OF 1

REPLACES -

RELEASE NO. PR-20912

CHECK

REVISIONS

A	CO-94361
	DCS 23 NOV 99
B	204250
	TSM 5NOV01
C	207607
	C S L 10 MAR 03

CHECK

26 APR 94

SAV

CHECK

20 APR 94

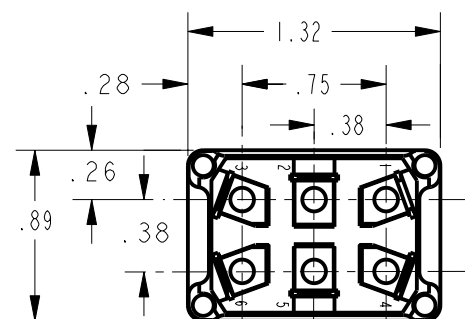
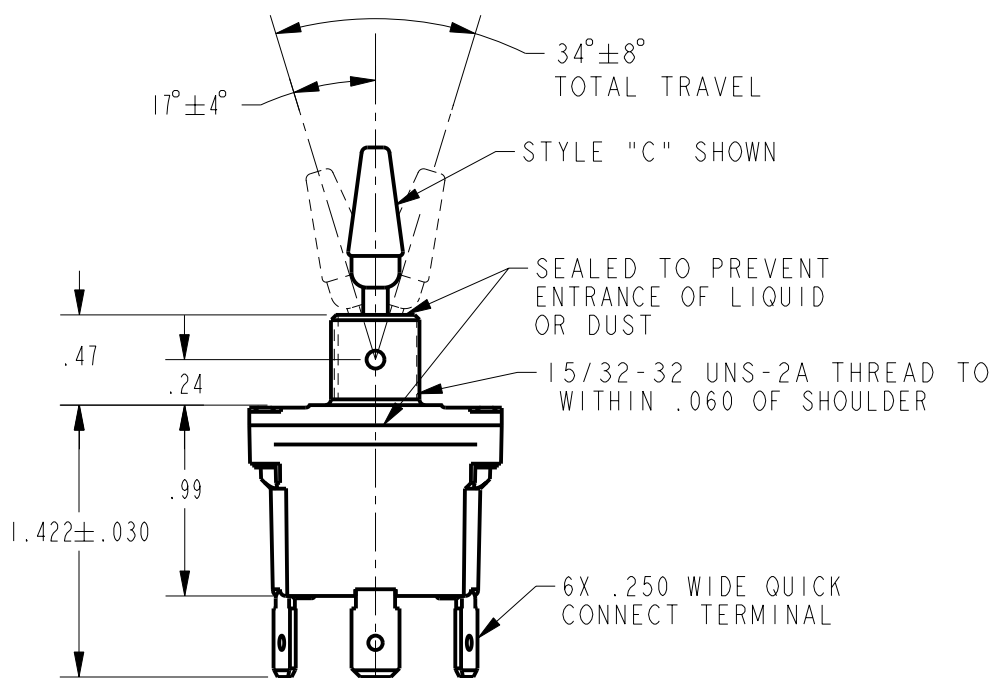
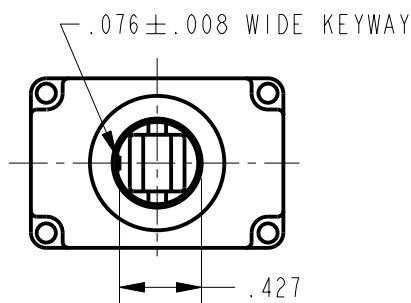
CHECK

2D

DRAWN

JAL

PTC/CAD



CATALOG LISTING ⁵	CIRCUIT MADE WITH TOGGLE LEVER IN ⁴			ELECTRICAL DATA
	KEYWAY SIDE (1-2, 4-5)	CENTER (1-2, 4-5)	OPPOSITE KEYWAY (2-3, 5-6)	
32NT391-1	ON	OFF	ON	L191 15A 125, 250, 277 VAC 1/2HP 125 VAC 1HP 250, 277 VAC 5A 125 VAC "L"
32NT391-2	OFF	NONE	ON	
32NT391-3	ON	NONE	ON	
32NT391-21	NONE	OFF	ON	
32NT391-31	NONE	ON	ON	
32NT391-4	MOM OFF	NONE	ON	
32NT391-5	MOM ON	OFF	ON	L192 10A 125, 250, 277 VAC 1/4HP 125 VAC 1/2HP 250, 277 VAC 3A 125 VAC "L"
32NT391-6	MOM ON	NONE	OFF	
32NT391-7	MOM ON	OFF	MOM ON	
32NT391-8	MON ON	NONE	ON	
32NT391-51	NONE	ON	MOM ON	
32NT391-61	MOM ON	OFF	NONE	



LEVER COLOR CODE ⁵	LEVER STYLE ⁵		
	STYLE A	STYLE B	STYLE C
COLOR IDENT	COLOR		
01	WHITE		
02	BLACK		
03	BLUE		
04	RED		
05	GREEN		
06	ORANGE		
07	GRAY		
08	YELLOW		
09	LT BLUE		

15/32-32 UNS THREAD	15/32-32 UNS THREAD	15/32-32 UNS THREAD
<p>HEX NUT ³ ⁶</p>	<p>LOCKWASHER ³</p>	<p>2X HEX NUT ³</p>
<p>LOCKING RING ³</p>		

- NOTES
- SWITCHES ARE CAPABLE OF WITHSTANDING A TEMPERATURE OF 160° F CONTINUOUSLY AT FULL RATED LOAD
 - MICRO SWITCH CATALOG LISTING MARKED ON SIDE OF SWITCH FURNISHED UNASSEMBLED
 - APPLIES ONLY TO "ON" AND "MOMENTARY ON" POSITIONS
 - SUFFIX MUST BE ADDED FOR DESIRED LEVER STYLE AND COLOR (EXAMPLE: 32NT391-7-C08)
 - BLACK FINISH

THIRD ANGLE PROJECTION

SCALE FULL

DO NOT SCALE PRINT

UNLESS OTHERWISE SPECIFIED TOLERANCES ARE

ONE PLACE	(.0)	±.030
TWO PLACE	(.00)	±.015
THREE PLACE	(.000)	±.005
ANGLES		±
WEIGHT		