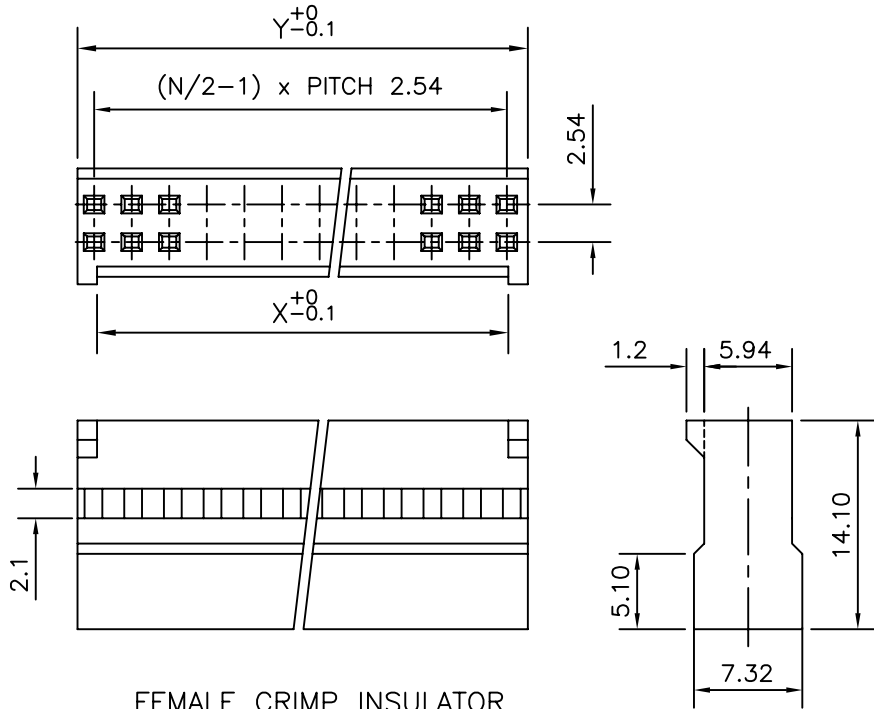
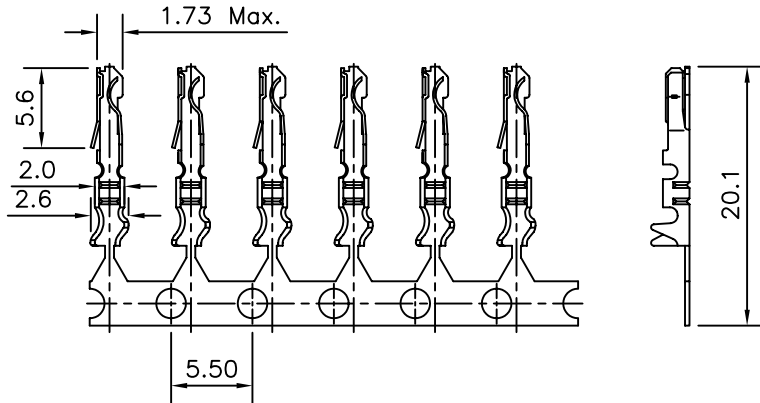


50	60.86	63.50
48	58.32	60.96
46	55.78	58.42
44	53.24	55.88
42	50.70	53.34
40	48.16	50.80
38	45.62	48.26
36	43.08	45.72
34	40.54	43.18
32	38.00	40.64
30	35.46	38.10
28	32.92	35.56
26	30.38	33.02
24	27.84	30.48
22	25.30	27.94
20	22.76	25.40
18	20.22	22.86
16	17.68	20.32
14	15.14	17.78
12	12.60	15.24
10	10.06	12.70
	7.52	10.16
	4.98	7.62
4	2.44	5.08
NO.OF POSN.	X	Y



FEMALE CRIMP INSULATOR



FEMALE CRIMP CONTACT

8614 - 10 - XX - 2 - SO - 2 - XX

LF :-LEAD FREE

SERIES

FEMALE CONNECTOR

NO.OF CONTACTS

DUAL ROW - 2

1- TIN LEAD PLATED  
2- GOLD PLATED

TYPE OF CONTACTS  
CRIMP TERMINATION  
(SUPPLIED WITH LOOSE CTS.)

Notes:

- 1, THE PRODUCT (LF) MEETS EUROPEAN UNION DIRECTIVES AND OTHER COUNTRY REGULATIONS AS DESCRIBED IN GS-22-008
- 2, MATERIAL  
CONTACT : SPECIAL BRASS  
INSULATOR : PBT BLACK

mat'l. code SEE NOTE-2				surface ISO 1302 ✓		tolerance ISO 406 ISO 1101		projection 		product family 8614			
ltr	ecn no	dr	date	tolerances unless otherwise specified						title			
B	106-0116	AB	2006-07-20	angles		linear		±0.1		FEMALE CRIMP CONNECTOR (END POLARISED DOUBLE ROW)			
				0°±1°				MM		scale -			
				dr	MINI K VANDANATH	2000-10-30				dwg no		1	size
				enr	ELIAS.C.T	2000-10-30				C-8614-0114		A4	
				chr	ALEX BABU	2006-07-20				type		Product Customer Drawing	
				app	BIJU K PAUL	2006-07-20							
sheet	revision	A	B										
index	sheet	1	1										