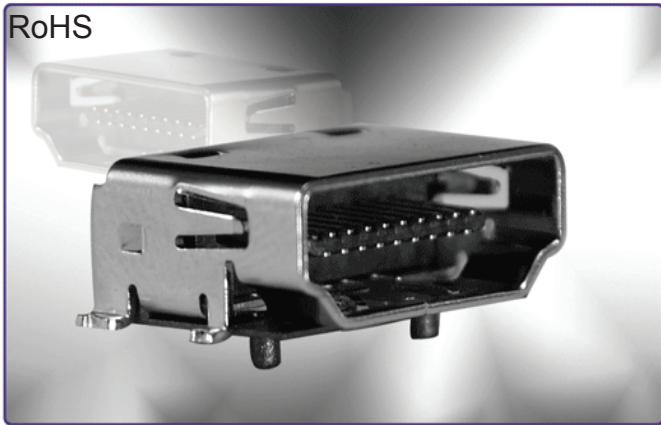


RoHS



KDMIX Series

HDMI^(TM) SMT and Through Hole Shield
With/Without Top Spring

Features

- Metal shields provide better ESD protection
- Provides low impedance mismatch
- 19 position receptacle
- Surface mount or through hole shield tabs

Performance Specifications

Materials and Finish

Shell : Copper Alloy Nickel plated

Insulator : UL94V-0 Rated Thermoplastic, Color-Black

Contacts : Copper Alloy

Plating : Standard : 30 μ " Gold plated over Nickel
GF: Gold Flash

Mechanical Characteristics

Insertion Force : 44.1N Max.

Extraction Force : 9.8N Min., 39.2N Max.

Durability : 10K mating cycles

Electrical Characteristics

Rated Voltage : 40V AC (RMS)

Contact Current Rating : 0.5Amps Min.

Contact Resistance : 10 milliohms Max.

Insulation Resistance : 10 Megohms Min. (mated)
: 100 Megohms Min. (unmated)

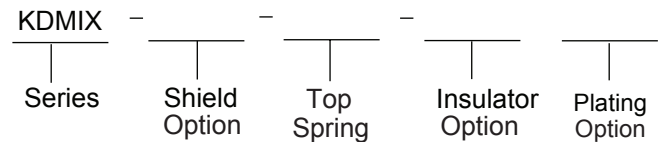
Dielectric Withstanding : 300V AC (mated)
: 500V AC (unmated)

Operating Temperature : -25°C to 85°C

KDMIX

KDMIX Series

Ordering Information



Series

KDMIX - HDMI^(TM)

Shield Option

NS1 - SMT Shield Tabs

NS2 - Through Hole Shield Tabs.

Different Length for Front and Back Tabs

Top Spring

NS - Without Top Spring

WS - With Top Spring

Insulator Option

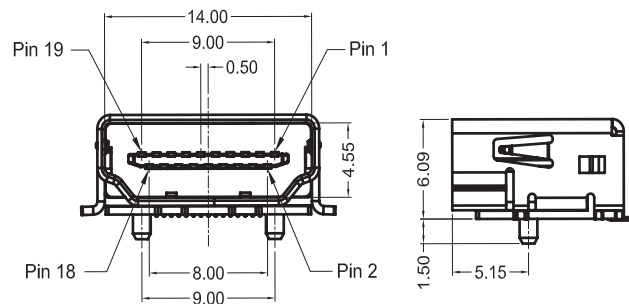
B - Black

Plating Option

Blank - 30 μ " Gold

GF - Gold Flash

KDMIX-NS1-NS-B



KDMIX-NS2-WS-B

