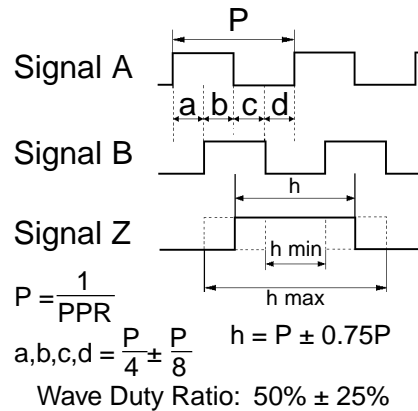


SPECIFICATIONS

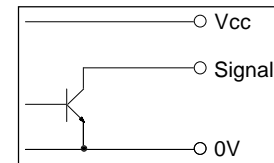
TYPE		1CA	2CA	2MCA
Supply Voltage		5.0 VDC ±10% 12.0 vdc ±10%		
Current		50mA max.		
Output Voltage	H	_____		
	L	≤ 0.5V		
Sink Current		20mA max.		
Signal Risetime		≤ 1µS		
Freq. Response		50kHz		
Voltage Withstand (output transistor)		50V max.		

OUTPUT WAVEFORM

Clockwise rotation viewed from front



OUTPUT CIRCUIT



STANDARD RESOLUTIONS

NSB-XX

100	100 P/R	300	300 P/R
200	200 P/R	360	360 P/R
256	256 P/R	500	500 P/R

ORDERING INFORMATION

NSB-□□□-□□□□-□□□

Resolution(P/R) Cable Exit
 1 = Rear 2 = Side
 Input Voltage
 05 = 5VDC ±10%
 12 = 12VDC ± 10%

Channels:
 1CA = Ch A only
 2CA = Ch A & B
 2MCA = Ch A, B & Index

MECHANICAL

1. Max Shaft Load, radial: 200 gf
axial: 200 gf
2. Moment of Inertia: 0.1 g•cm²
3. Angular Acceleration: 1x10⁴ rad/S²
4. Max Slewing Speed: 6000 RPM
5. Starting Torque: 5 gf•cm max.
6. Rotational Life: 1 x 10⁷ rpm•hrs

ENVIRONMENTAL

1. Operating Temp: -10° to +60° C
2. Storage Temp: -20° to +85° C
3. Humidity: ≤85% RH, no condensation
4. Vibration: 10~55 Hz, 1.5 mm, 2 hrs
5. Shock: 50G, 11ms, 3 axes, 3 reps



CUI STACK

CUI Stack, Inc.

9615 SW Allen Blvd. #103
 Beaverton, OR 97005
 Tel: 503/643-4899 FAX: 503/643-6129

DRAWN BY	UPDATED	CHECKED	RELEASED
----------	---------	---------	----------

PART NO. NSB-XX-XXCA-XXX	REV. A
------------------------------------	------------------