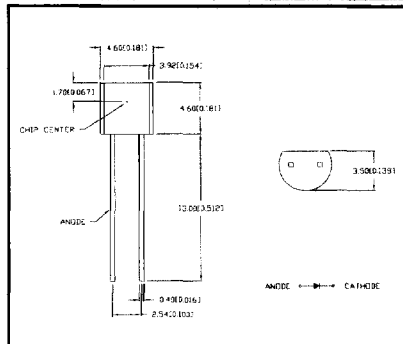


SIDE LOOKING PACKAGES

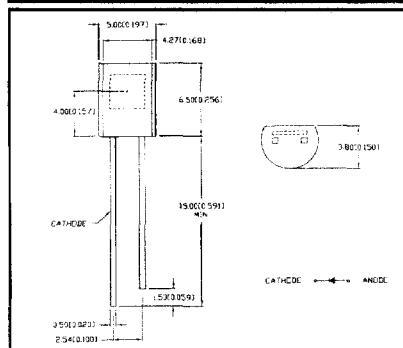
OED-SP-12SF



Package Style	Lens	Limits of Safe Operation			Voc mV Typ
		V _R Max (V)	P _D Max (mW)	t-opr (°C)	
Side Looking Lead Frame	Black Epoxy	5	30	-20 ~ + 80	400

Isc μ A Typ	I _d nA Max @ V _R = 10V	λ_p (nm) Typ	$\lambda\theta$ deg	λ nM	tr/ff V _R = 10V R _I = 1000 Ω
13.0	nil	900	± 60	450 ~ 1050	50/50 nS

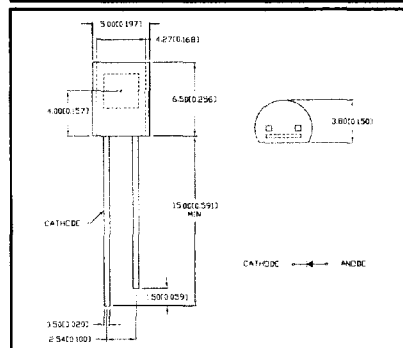
OED-SPR472L140



Package Style	Lens	Limits of Safe Operation			Voc mV Typ
		V _R Max (V)	P _D Max (mW)	t-opr (°C)	
Side Looking Lead Frame	Black Epoxy	20	150	-20 ~ + 70	350

Isc μ A Typ	I _d nA Max @ V _R = 10V	λ_p (nm) Typ	$\lambda\theta$ deg	λ nM	tr/ff V _R = 10V R _I = 1000 Ω
80.0	30	940	± 70	700 ~ 1000	50/50 nS

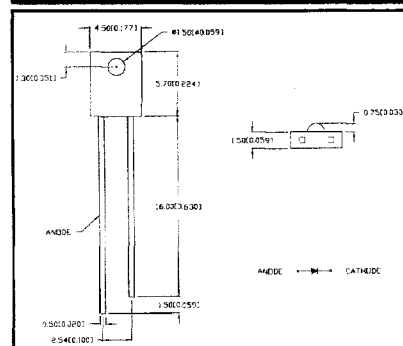
OED-SPRC572L120



Package Style	Lens	Limits of Safe Operation			Voc mV Typ
		V _R Max (V)	P _D Max (mW)	t-opr (°C)	
Side Looking Lead Frame	Black Epoxy	20	150	-20 ~ + 70	350

Isc μ A Typ	I _d nA Max @ V _R = 10V	λ_p (nm) Typ	$\lambda\theta$ deg	λ nM	tr/ff V _R = 10V R _I = 1000 Ω
80.0	30	940	± 60	700 ~ 1000	50/50 nS

OED-SP-1556SN



Package Style	Lens	Limits of Safe Operation			Voc mV Typ
		V _R Max (V)	P _D Max (mW)	t-opr (°C)	
Side Looking Lead Frame	Clear Epoxy	20	20	-25 ~ + 85	390

Isc μ A Typ	I _d nA Max @ V _R = 10V	λ_p (nm) Typ	$\lambda\theta$ deg	λ nM	tr/ff V _R = 10V R _I = 1000 Ω
10.0	10	900	± 20	450 ~ 1050	6/6 nS