

High Voltage Radial Leaded Capacitors

X7R and NPO Dielectric Epoxy Coated and Uncoated Radial Leaded Capacitors

Specifications

Operating Temperature Range:

- -55°C to +125°C
- High Temperature to 250°C available

Temperature Coefficient:

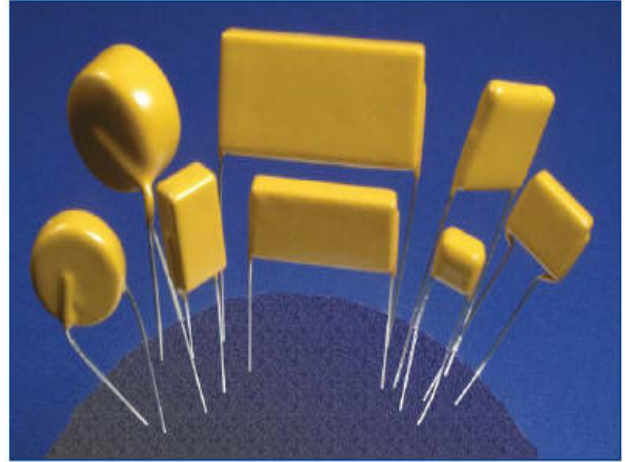
- X7R: $\pm 15\% \Delta C$
- NPO: $\pm 30 \text{ ppm}/^\circ\text{C}$ max.

Dissipation Factor:

- X7R: 2.5% max.
- NPO: $< .0015$ (.15%)

Insulation Resistance:

- X7R/NPO: 1000 ohms x Farad or 100 Gigohms, whichever is less



Maximum Capacitance (μF)

SIZE	50V		100V		200V		500V		1000V		2000V		3000V		4000V		5000V	
	X7R	NPO	X7R	NPO	X7R	NPO	X7R	NPO	X7R	NPO	X7R	NPO	X7R	NPO	X7R	NPO	X7R	NPO
RL1814	.80	.018	.42	.012	.18	.0075	.075	.0035	.012	.0010	--	--	--	--	--	--	--	--
RL1824	1.4	.033	.90	.024	.35	.014	.15	.0068	.024	.0020	--	--	--	--	--	--	--	--
RL2225	1.9	.047	1.2	.033	.47	.020	.20	.0090	.032	.0027	.0060	.00050	--	--	--	--	--	--
RL2824	2.2	.056	1.5	.040	.58	.022	.25	.011	.040	.0036	.0080	.00075	.0033	.00025	--	--	--	--
RL3933	4.7	.12	3.0	.085	1.2	.050	.50	.024	.080	.0075	.019	.0017	.0082	.00065	.0039	.00030	--	--
RL4844	8.2	.20	5.6	.14	1.9	.082	.82	.039	.16	.014	.035	.0032	.015	.0013	.0082	.00060	.0056	.00042
RL5854	12	.30	8.2	.21	3.0	.12	1.2	.060	.25	.022	.055	.0050	.027	.0021	.015	.0010	.0082	.00070
RL6864	18	.44	12	.31	4.5	.18	1.8	.085	.35	.030	.082	.0070	.039	.0030	.018	.0015	.012	.0010
RL9650	19	.47	12	.34	.50	.20	2.0	.095	.39	.033	.10	.0082	.047	.0035	.022	.0018	.015	.012
RL13565	--	--	--	--	9.0	.36	3.9	.17	.70	.060	.18	.015	.082	.0065	.047	.0035	.033	.024

Note: Other sizes and voltages are available. Consult factory for details.



PRESIDIO COMPONENTS, INC.

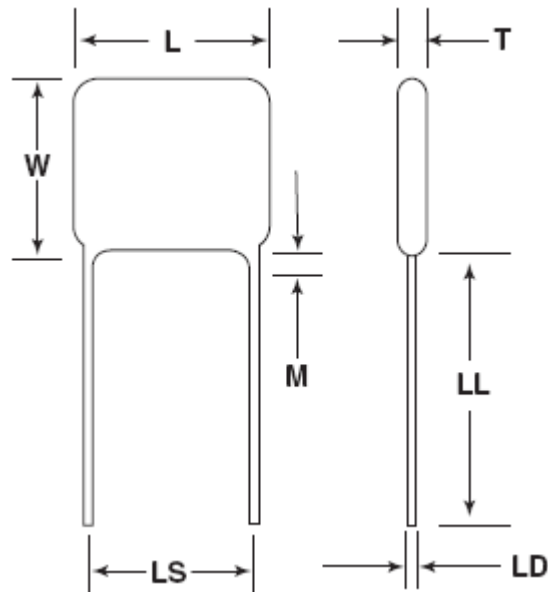
7169 Construction Court, San Diego, CA 92121 USA • Tel: 858-578-9390 • Fax: 800-538-3880 or 858-578-6225
Web: www.presidiocomponents.com • Email: info@presidiocomponents.com

High Voltage Radial Leaded Capacitors

Dimensions

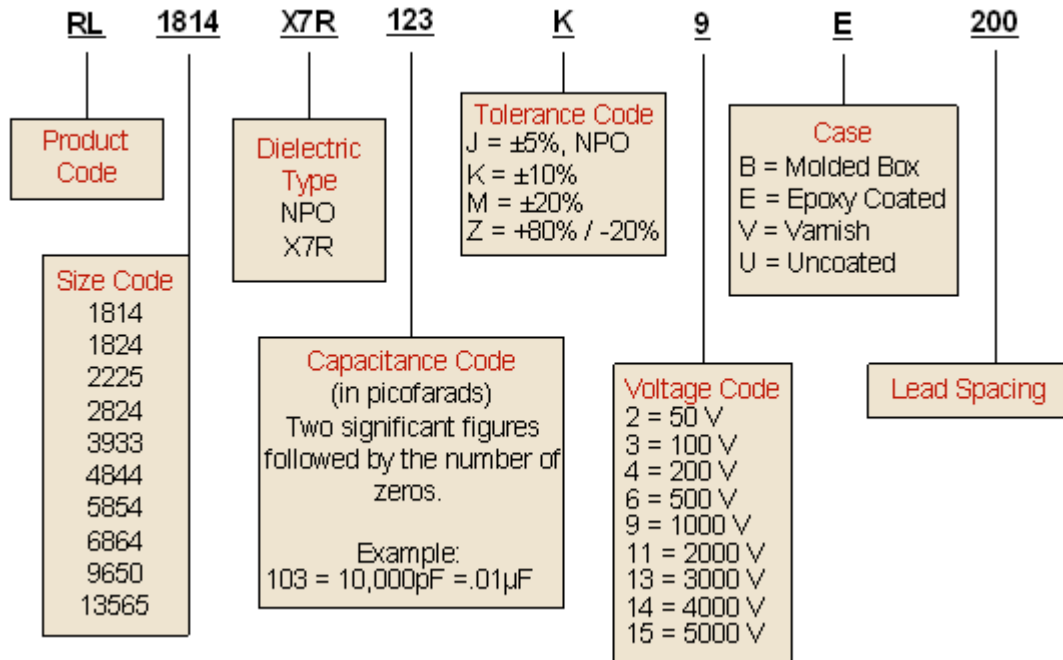
SIZE	L (Max.)	W (Max.)	T (Max.)	LL (Max.)	LS (Max.)	LD (Max.)	M (Max.)
RL1814	0.300	0.200	0.200	1.000	0.200	0.025	0.060
RL1824	0.300	0.300	0.200	1.000	0.200	0.025	0.060
RL2225	0.350	0.300	0.200	1.000	0.250	0.025	0.060
RL2824	0.400	0.300	0.200	1.000	0.300	0.025	0.060
RL3933	0.500	0.400	0.200	1.000	0.400	0.025	0.060
RL4844	0.600	0.500	0.200	1.000	0.500	0.025	0.060
RL5854	0.700	0.600	0.200	1.000	0.600	0.025	0.060
RL6864	0.800	0.700	0.200	1.000	0.700	0.025	0.060
RL9650	1.100	0.600	0.200	1.000	0.980	0.025	0.060
RL13565	1.450	0.720	0.200	1.000	1.375	0.025	0.060

Note: Dimensions are in inches.



High Voltage Radial Leaded Capacitors

How To Order



The above example is of Presidio's Manufacturing part number. If a shorter part number is desired, use our conversion tool to create our Global part number.