

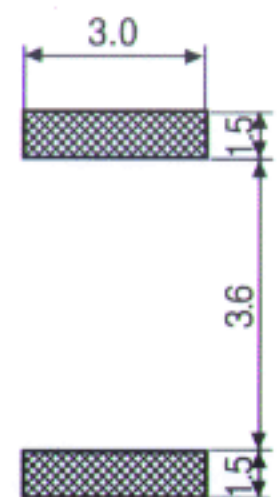
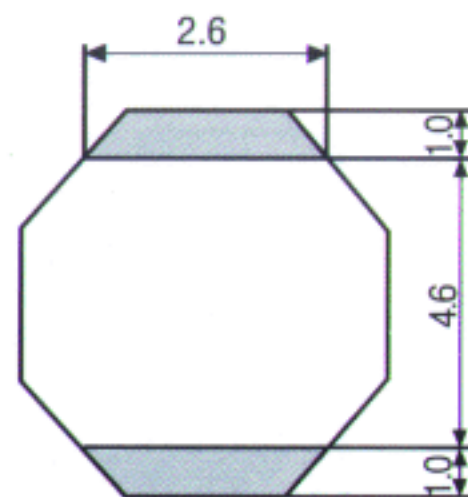
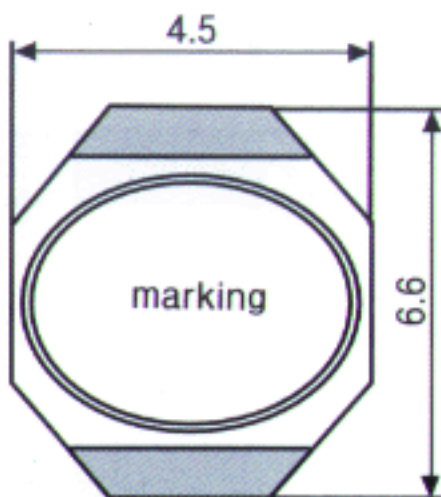
# B6630 Series

## Application

- ▶ Notebook Computer & PDA
- ▶ Battery Powered Equipment
- ▶ DC/DC Converters
- ▶ Digital cameras, Scanners
- ▶ CD-ROM & DVD



## Shape & Dimensions (Unit:mm)



Tolerance :  $\pm 0.2$

(PCB Pattern)

## Standard Specifications

Part No.	Inductance	D.C. Resistance	Rated Current
	( $\mu\text{H} \pm 20\%$ )	( $\Omega \pm 20\%$ )	(A max)
SFOB6630-1R26R8	6.8	0.116	1.20
SFOB6630-1R0100	10	0.174	1.00
SFOB6630-R64220	22	0.442	0.64
SFOB6630-R51330	33	0.560	0.51
SFOB6630-R42470	47	0.810	0.42
SFOB6630-R35680	68	0.900	0.35
SFOB6630-R28101	100	1.400	0.28

1. Inductance Tested at 1kHz, 1Vrms.
2. Inductance measured by HP 4284A, PRECISION LCR METER
3. Inductance drop 10% typ. at rated current
4. Operating temperature range  $-40^{\circ}\text{C}$  to  $+85^{\circ}\text{C}$
5. Electrical specifications at  $25^{\circ}\text{C}$