

SPECIFICATIONS

Mechanical

Contact Retention Force: 1.0Kg min.

Electrical

Voltage Rating: 750V

Current Rating: 1A

Contact Resistance: 45mΩ max.

Dielectrical Withstanding Voltage: 1000V

Insulation Resistance: 1000MΩ min.

Physical

Housing: LCP, UL 94-0 rated, Ivory White

Contact: Phosphor Bronze

Plating: See "ORDERING INFORMATION"

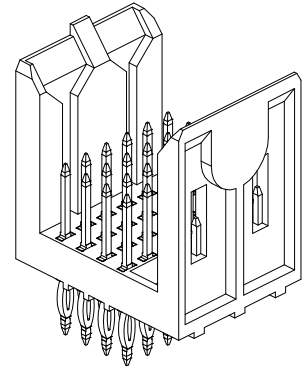
FUTURE BUS CONNECTOR

1F Series

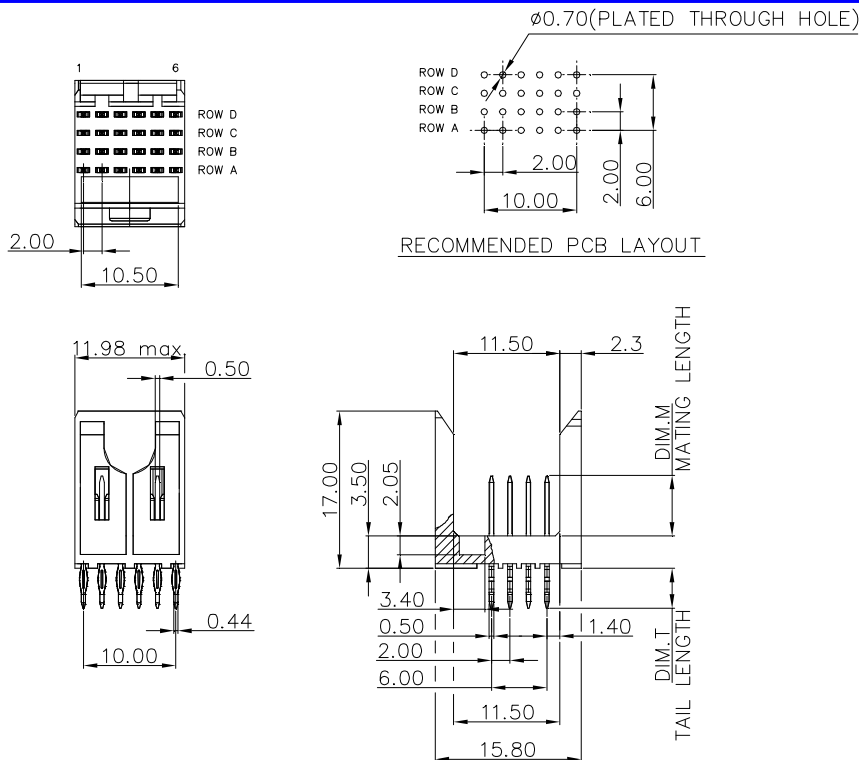
Header Press Fit Type

2.0mm Pitch

4 Rows



DRAWING



ORDERING INFORMATION

PRODUCT NO.: 1 F 1 1 0 2 4 * - P * * F S * - * *

POS. NO.: _____
 024=024 pos.
 Mating Area Plating: _____
 1=GOLD FLASH
 3=0.76um(30u")MIN. GOLD PLATING
 5=1.27um(50u")MIN. GOLD PLATING
 6=0.25um(10u")MIN. GOLD PLATING
 A=0.76um(30u")MIN. FPT PLATING,
 0.25um(10u")MIN. GOLD INCLUDED
 Tail Style: _____
 P=Press Fit

Lead Free Code:
 N=None
 F=Lead Free
 Package Type:
 A=Tube
 Extension Code:
 N,T,L,M
 BODY STYLE
 Selective Pin Pattern
 (Detail Please Refer To
 Customer Drawing)