

3500 SERIES

HIGH PERFORMANCE TOGGLE SWITCHES - ENVIRONMENTALLY SEALED

Distinctive features

- Completely sealed switches withstanding 0,1 bar pressure**
 - Front face and cover-to-case silicone seal
 - Moulded-in terminal inserts

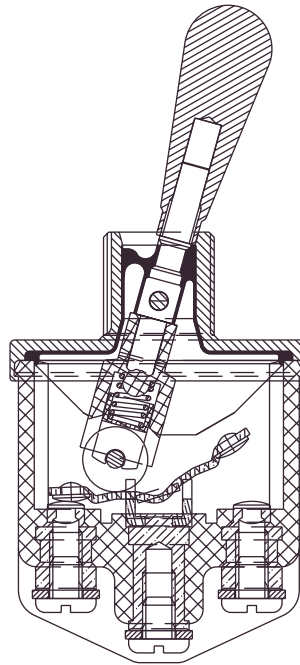
- Approved to European standards CECC 96000**



CECC 96201-004

- Three types of terminals**

- Many lever styles available**

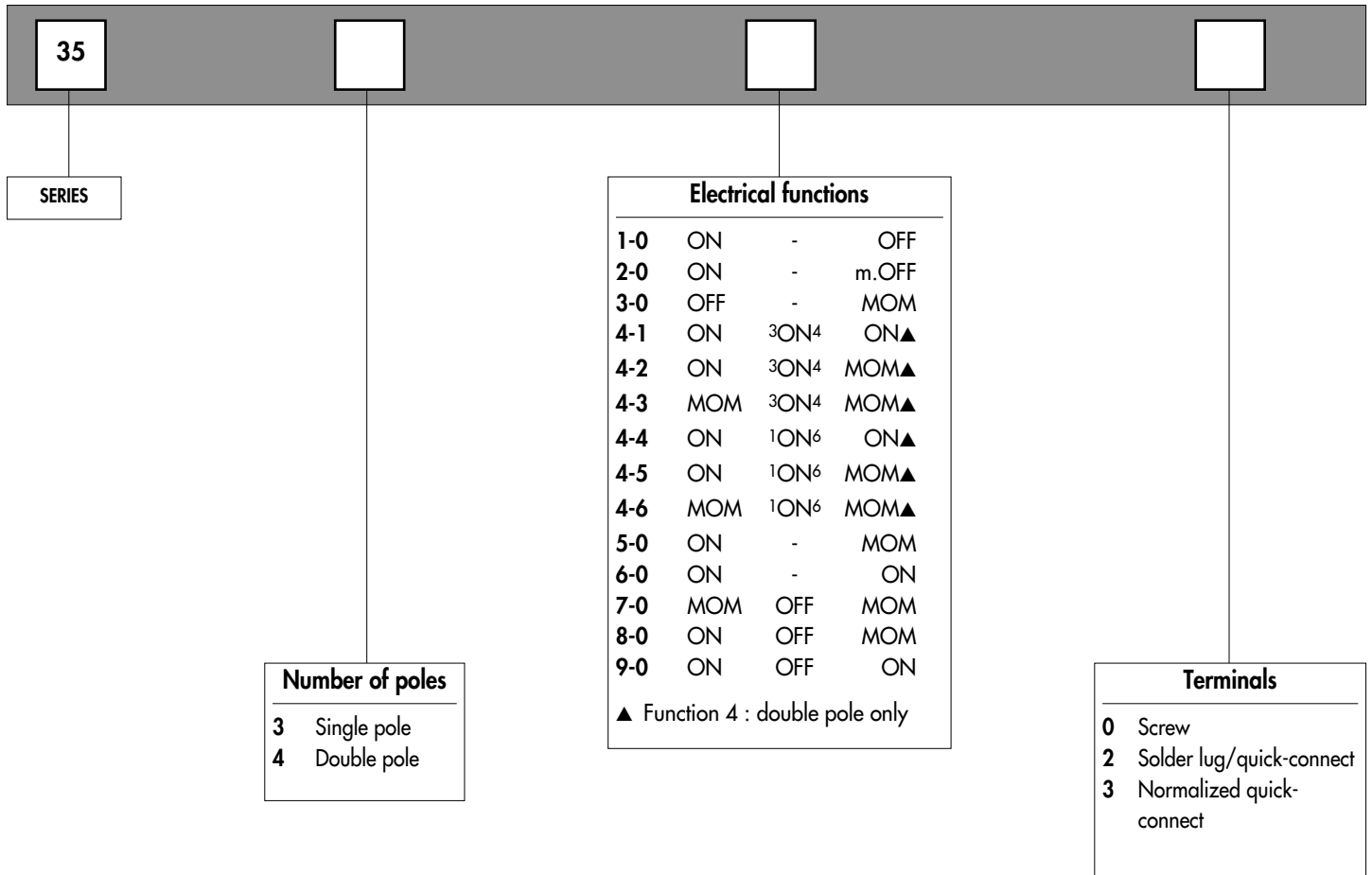


3500 SERIES

HIGH PERFORMANCE TOGGLE SWITCHES - ENVIRONMENTALLY SEALED

Overview

M O D E L
S T R U C T U R E



ABOUT THIS SERIES

On the following pages, you will find successively :

- specifications
- model structure of switches
- their options in the same order as in above chart

Dimensions : first dimensions are in mm while inches are shown as bracketted numbers.



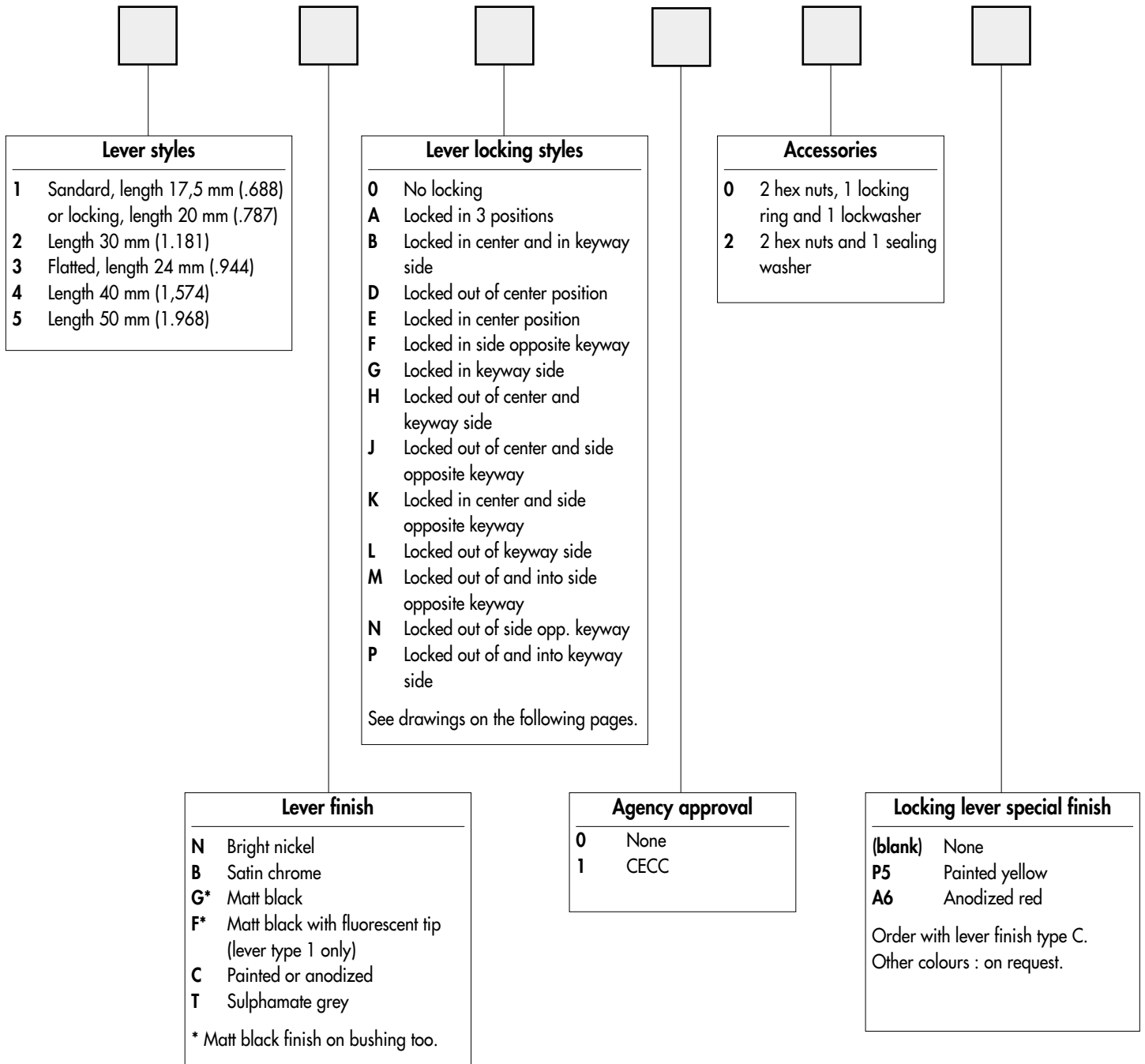
NOTICE : please note that not all combinations of above numbers are available. Refer to the following pages for further information.

Security caps are available to prevent inadvertent lever operation. They are presented in section M.

3500 SERIES

HIGH PERFORMANCE TOGGLE SWITCHES - ENVIRONMENTALLY SEALED

Overview



Packaging unit : 25 pieces

3500 SERIES

HIGH PERFORMANCE TOGGLE SWITCHES - ENVIRONMENTALLY SEALED

Specifications

ELECTRICAL SPECIFICATIONS

- Max. current/voltage rating with resistive load and electrical life at full load : see table below
- Initial contact resistance : 10 mΩ max. at 1A 2VDC
- Insulation resistance : 1.000 MΩ
- Dielectric strength :
 - 2.500 Vrms 50 Hz min. between terminals
 - 3.000 Vrms 50 Hz min. between terminals and frame

FUNCTIONS	GENERAL PERFORMANCES		
	Alternate current	Direct Current	According to CECC 96201-004
ON-OFF and ON-ON	6.000 cycles, T65°C 20A 125VAC, 3/4HP 15A 250VAC, 1-1/2HP T5, 115VAC, 50/400Hz	10.000 cycles, T20°C 15A 28VDC resistive 15A 28VDC inductive 5A 28VDC lamp load	10.000 cycles 16A 250VAC 15A 32VDC
ON OFF ON	6.000 cycles, T65°C 18A 125VAC, 1/2HP 10A 250VAC, 1/2HP T2, 115VAC, 50/400Hz	10.000 cycles, T20°C 15A 28VDC resistive 15A 28VDC inductive 5A 28VDC lamp load	
OTHER FUNCTIONS	6.000 cycles, T65°C 15A 125VAC 10A 250VAC T2, 115VAC, 50/400Hz	10.000 cycles, T20°C 15A 28VDC resistive 10A 28VDC inductive 3A 28VDC lamp load	

MATERIALS

- Case : mineral filled polyester UL94-VO
- Bushing and cover : zamac
- Actuator : brass, nickel or chrome plated, or anodized aluminium
- Contacts : silver cadmium oxide alloy

GENERAL SPECIFICATIONS

- Mechanical life : 40.000 cycles
- Torque : 2 Nm (1.47 Ft.lb) max. applied to nut
- Panel thickness : see "Mounting Accessories" on the following pages
- Operating temperature : -40°C to +85°C
- Moisture resistance : 56 days

AGENCY APPROVAL



CECC 96201-004

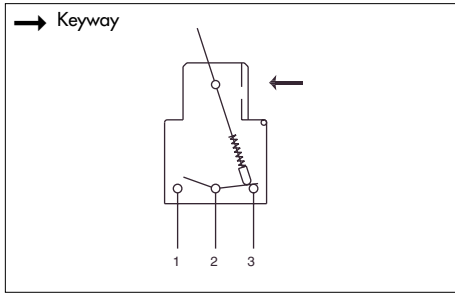
Availability : consult factory for details of approved models.

Marking : to order switches marked CECC, complete appropriate box of ordering format.

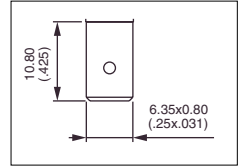
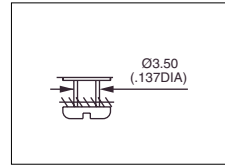
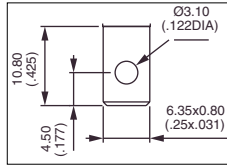
3500 SERIES

HIGH PERFORMANCE TOGGLE SWITCHES - ENVIRONMENTALLY SEALED

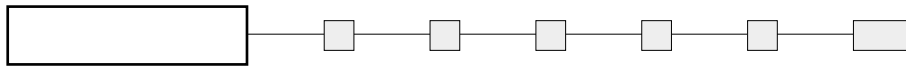
M O D E L
S T R U C T U R E



- Screw, solder lug or quick-connect terminals
- Also available with threaded terminals : consult factory
- 1 and 2 pole configurations



MODEL STRUCTURE

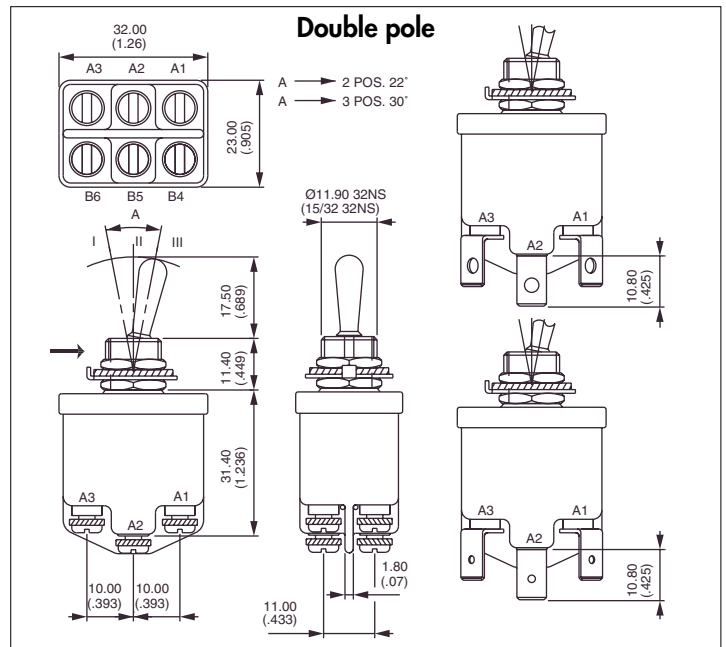
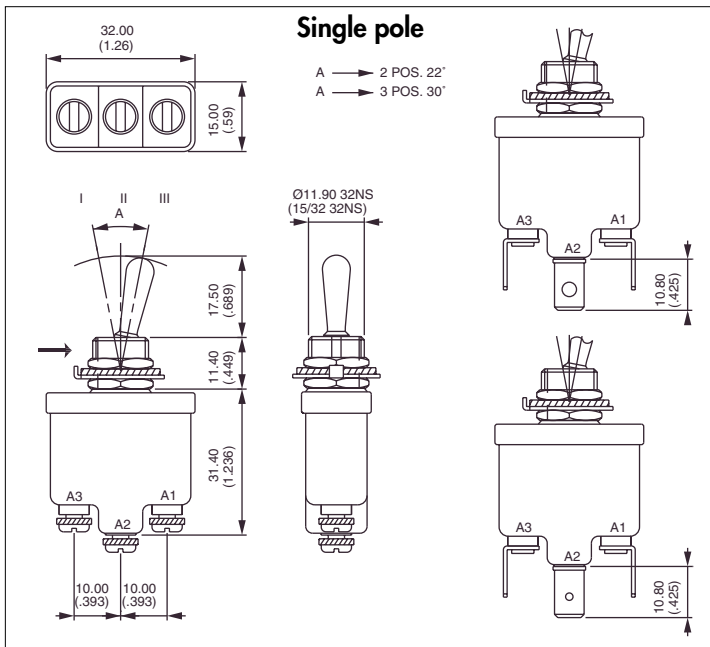


Shown with standard lever



FUNCTIONS			BASIC PART NUMBER					
			Screw terminals		Solder lugs and quick-connect term.		Normalized quick-connect terminals	
III	II	I	Single pole	Double pole	Single pole	Double pole	Single pole	Double pole
A2-A3	*A3-B4	A1-A2						
B5-B6	**A1-B6	B5-B4						
ON	-	OFF	3531-00	3541-00	3531-02	3541-02	3531-03	3541-03
ON	-	m.OFF	3532-00	3542-00	3532-02	3542-02	3532-03	3542-03
OFF	-	MOM	3533-00	3543-00	3533-02	3543-02	3533-03	3543-03
ON	ON*	ON		3544-10		3544-12		3544-13
ON	ON*	MOM		3544-20		3544-22		3544-23
MOM	ON*	MOM		3544-30		3544-32		3544-33
ON	ON**	ON		3544-40		3544-42		3544-43
ON	ON**	MOM		3544-50		3544-52		3544-53
MOM	ON**	MOM		3544-60		3544-62		3544-63
ON	-	MOM	3535-00	3545-00	3535-02	3545-02	3535-03	3545-03
ON	-	ON	3536-00	3546-00	3536-02	3546-02	3536-03	3546-03
MOM	OFF	MOM	3537-00	3547-00	3537-02	3547-02	3537-03	3547-03
ON	OFF	MOM	3538-00	3548-00	3538-02	3548-02	3538-03	3548-03
ON	OFF	ON	3539-00	3549-00	3539-02	3549-02	3539-03	3549-03

→ Keyway

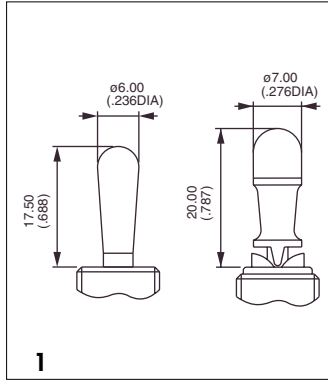
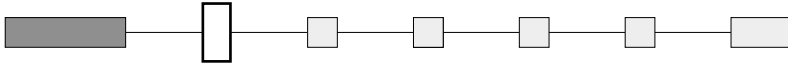


3500 SERIES

HIGH PERFORMANCE TOGGLE SWITCHES - ENVIRONMENTALLY SEALED

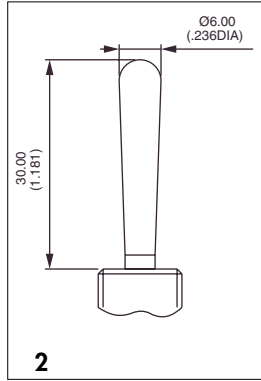


LEVER STYLES

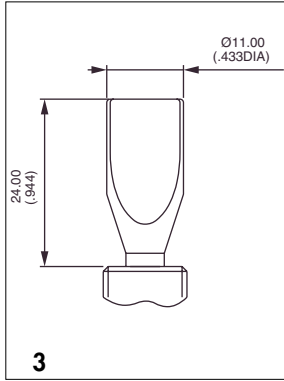


1

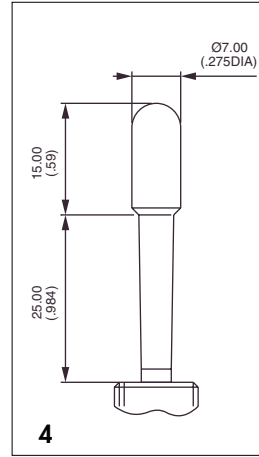
Standard



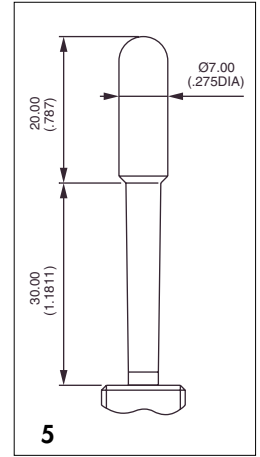
2



3

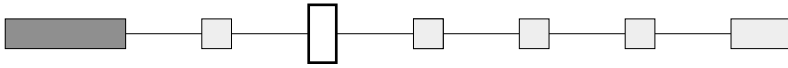


4



5

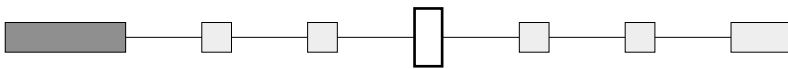
LEVER FINISH



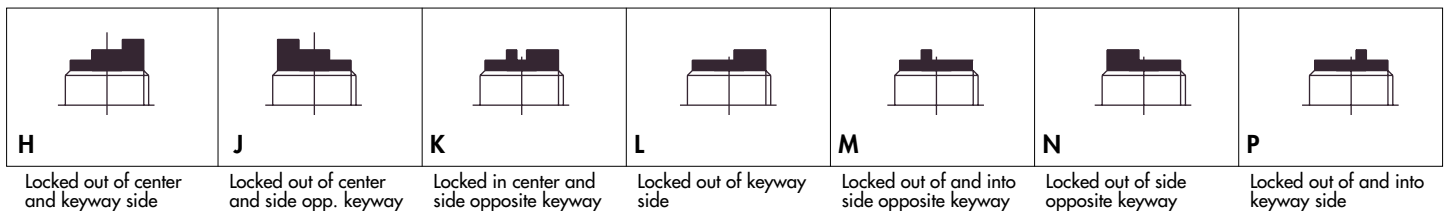
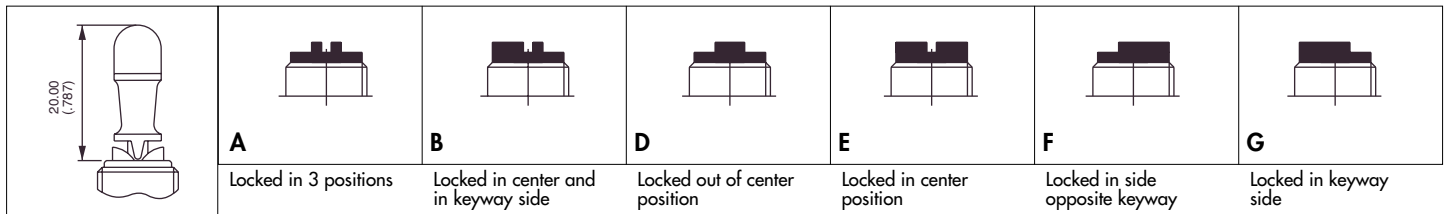
- N** Bright nickel
- B** Satin chrome
- G*** Matt black
- F*** Matt black with fluorescent tip (available with lever type 1 only)
- C** Painted or anodized
- T** Sulphamate grey

* Matt black finish on bushing too.

LOCKING LEVER STYLES



0 No locking

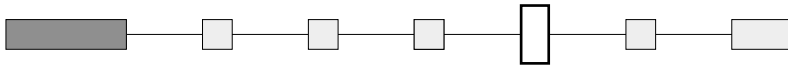


3500 SERIES

HIGH PERFORMANCE TOGGLE SWITCHES - ENVIRONMENTALLY SEALED

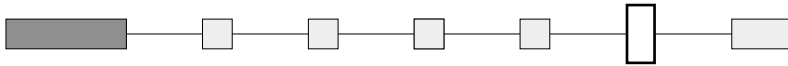


AGENCY APPROVAL



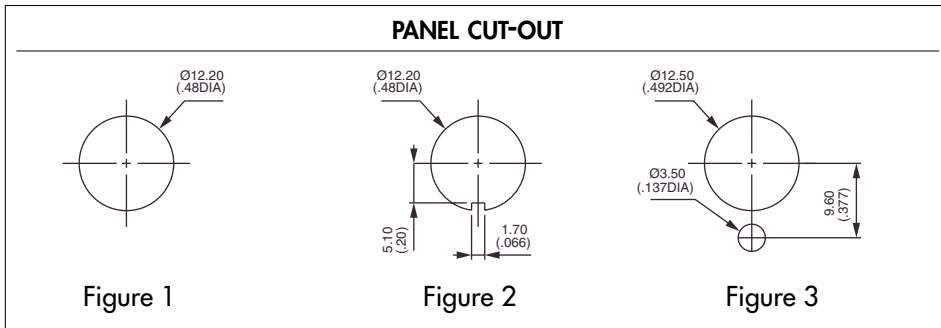
- 0 None
- 1 CECC

MOUNTING ACCESSORIES

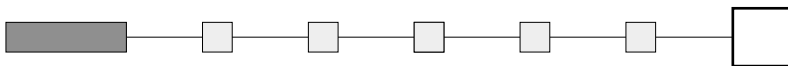


- 0 For NON-SEALED mounting (panel cut-out fig. 1, 2 or 3)
2 hex nuts 14 mm (.551) across flats, 1 locking ring U121 or U12, 1 lockwasher U13
Panel thickness : 5 mm (.196) max.
- 2 For SEALED mounting (panel cut-out fig. 2)
2 hex nuts 14 mm (.551) across flats and 1 sealing washer U60
Panel thickness : 4 mm (.157) max.

Special hardware : black cap nut U129. Order separately.



LOCKING LEVER SPECIAL FINISH



- (blank) None
- P5 Painted yellow
- A6 Anodized red

Order with lever finish type C.
Other colours on request.