

# CERAMIC PACKAGE ULTRA MINIATURE PURE SILICON™ CLOCK OSCILLATOR

ASFLM



RoHS  
Compliant



5.0 x 3.2 x 1.04mm

## FEATURES:

- Ultra Miniature Pure Silicon™ Clock Oscillator
- MEMS Technology by Discera
- Low Power Consumption <10mA
- Stability to ±20ppm
- Available -40 to +85°C Operating Temperature Range
- Up to 30,000G Shock Resistance Available
- Ceramic Packaging

## APPLICATIONS:

- Real Time Clock Signals for wide range of consumer applications
- Harsh Environment Industrial Equipment
- RF Oscillator

MEMS  
Technology!

## STANDARD SPECIFICATIONS:

### PARAMETERS

ABRACON P/N:	ASFLM
Frequency range:	1.000 MHz - 125 MHz
Operating temperature:	0°C to +70°C (see options)
Storage temperature:	-50°C to +155°C
Overall Frequency Stability:	± 100 ppm max. (see options)
Supply Voltage (Vdd):	3.0 V ± 0.3 V
Supply Current:	6.0mA max (1 - 40MHz, Vdd=3.0 ± 0.3V) 7.5mA max (40 - 80MHz, Vdd=3.0 ± 0.3V) 9.5mA max (80 - 125MHz, Vdd=3.0 ± 0.3V)
Symmetry:	40/60 % max.@ 1/2Vdd
Rise and Fall Times (Tr/Tf):	5ns max. (+25°C, 15pF out put load, 20 - 80% Vdd.)
Output Load:	15pF max.
Output Voltage:	VOH = 0.8*Vdd min. VOL = 0.2*Vdd max.
Start-up-time:	10mS max
Tri-State Function (Stand-by):	"1" or open: Oscillation "0": No oscillation/Hi Z
Input Current	1uA max. (Oscillation state) 1uA max. (High Impedance state)
Aging at +25°C per year:	± 5ppm max.
Disabled Current:	15µA max.

## OPTIONS AND PART IDENTIFICATION:

(Left blank if standard)

ASFLM - Frequency - □ - □ - □

Frequency	Operating Temp.		Freq. Stability		Packaging
XX.XXXX MHz	Blank	0°C to +70°C	Blank	± 100 ppm	T Tape and Reel (1000pcs/reel)
	E	-20°C to +70°C	J	± 20 ppm	
	L	-40°C to +85°C	C	± 50 ppm	

\*Blank : Standard

\*Blank : Standard

Please contact Abracon for order assistance for high shock application.

ABRACON IS  
ISO 9001 / QS 9000  
CERTIFIED



ABRACON  
CORPORATION

30332 Esperanza, Rancho Santa Margarita, California 92688  
tel 949-546-8000 | fax 949-546-8001 | www.abracon.com

REVISED: 6.18.07  
www.DataSheet4U.com

# CERAMIC PACKAGE ULTRA MINIATURE PURE SILICON™ CLOCK OSCILLATOR

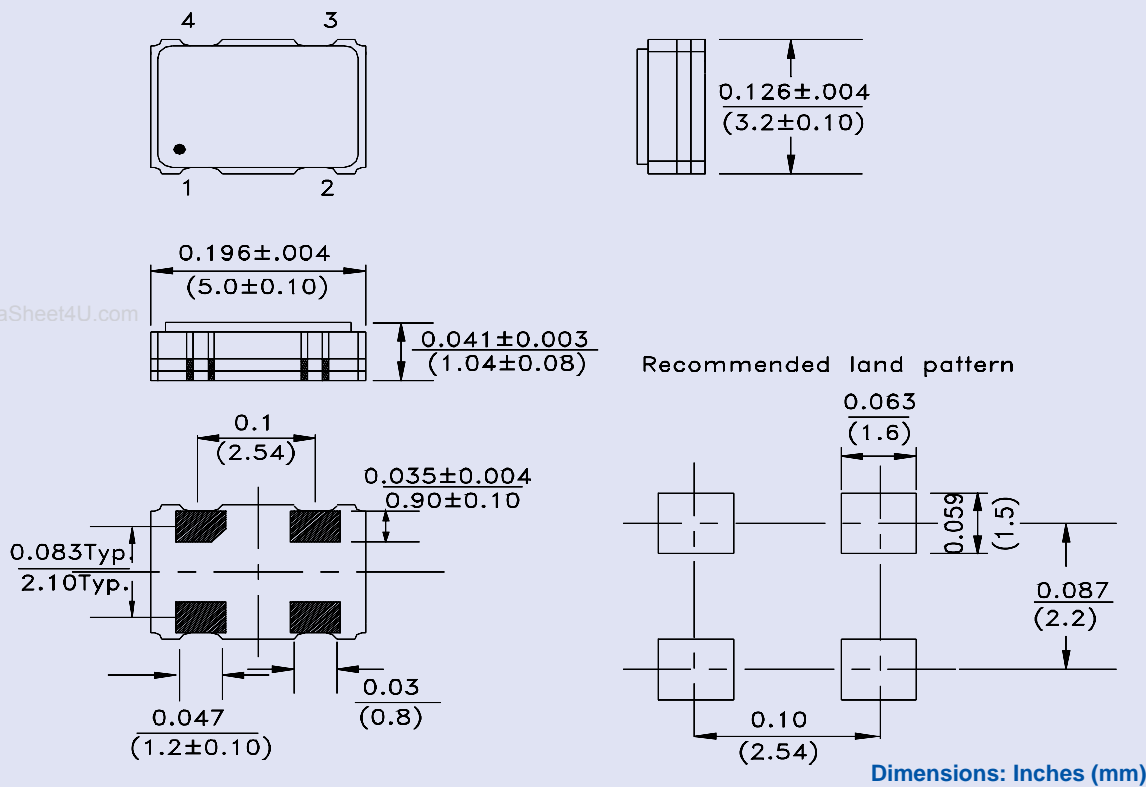


5.0 x 3.2 x 1.04mm

ASFLM



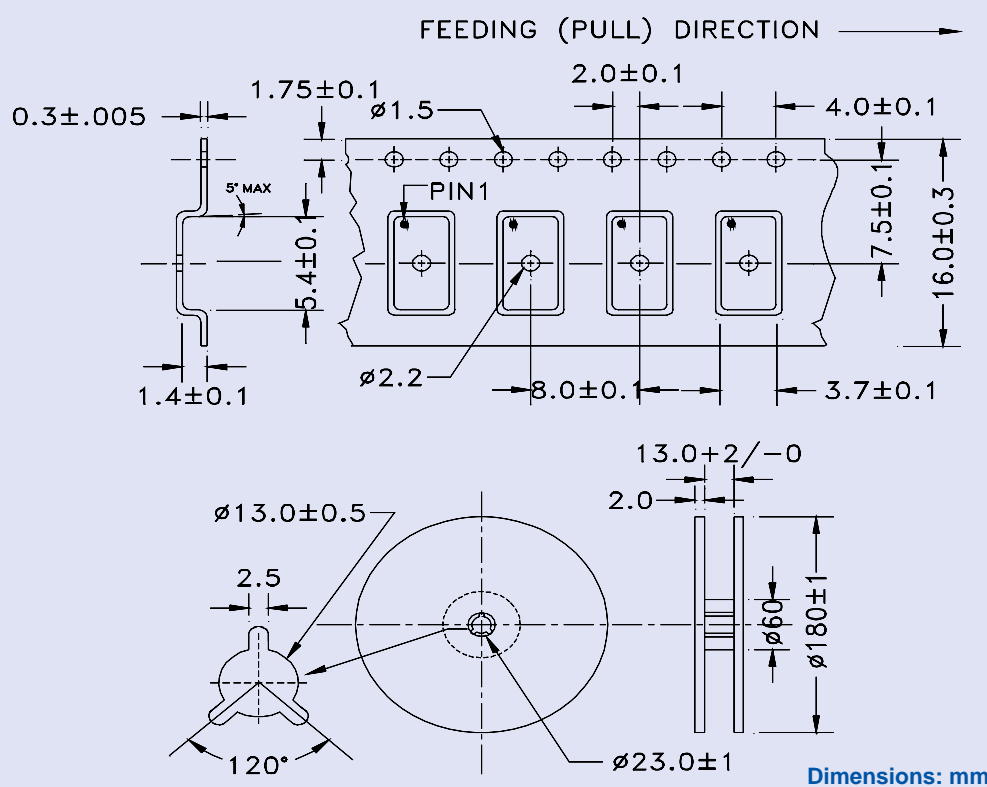
## OUTLINE DRAWING:



**Note:** It is recommended to use an approximately 0.01uF bypass capacitor between PIN 2 and 4.

PIN	FUNCTION
1	Tri-state (STBY)
2	GND/Case
3	Output
4	VDD

## TAPE & REEL:



ABRACON IS  
ISO 9001 / QS 9000  
CERTIFIED



REvised: 6.18.07  
www.DataSheet4U.com  
30332 Esperanza, Rancho Santa Margarita, California 92688  
tel 949-546-8000 | fax 949-546-8001 | www.abracon.com