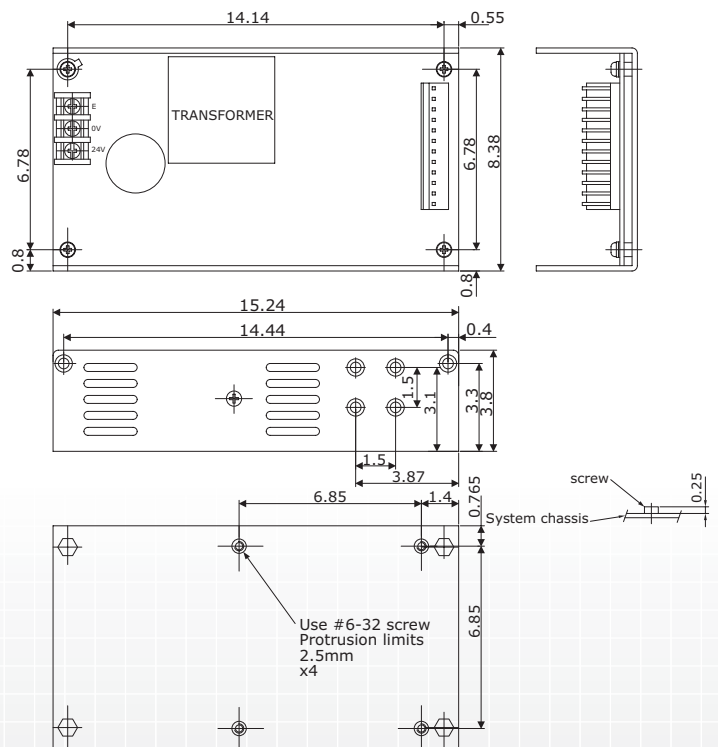


BPW-8410

80W 48V DC-DC Open Frame Power Supply
Input Range: 36~72VDC



Industrial Power Supply

DC-DC

FEATURES

- ***Input Voltage:** 36~72VDC
- ***Input Current:** 5A at 48VDC max.
- ***Inrush Current:** < 10A at 48VDC input from a cold start 25°C excluding EMI suppression capacitors
- ***Load Range:** With all other outputs within their accuracy ranges and all output at 60% rated load, the +5V output is between 4.95~5.05V. Max. load can not exceed 80W convection cooling and 100W forced air cooling
- ***Ripple and Noise:** Peak to peak ripple and noise for +5V is < 50mV, and < 100mV for the other outputs at rated load, nominal line
- ***Line Regulation:** < +/-1% for each output at rated load and +/-10% of input voltage variables
- ***Load Regulation:** < +/-1% for +5V, and < +/-5% for -12V, +12V, -5V while changing measured output load from +/-40% to 60% rated load and keeping other outputs at 60% rated load
- ***Efficiency:** > 70% at DC24V and rated load
- ***Altitude:** > 10,000 feet
- ***Protection:** Built-in over voltage protection circuit. Trip point of crowbar circuit is between 5.7~7V. Hiccup mode against short circuit or over load conditions auto recovery when fault conditions are removed
- ***Temperature:** 0~+50°C (operating); -40~+85°C (storage)
- ***Connectors:**
DC Input: Terminal blocks
DC Output: Molex 5273-12A
- ***Dimensions:** 15.24 x 8.38 x 3.8 cm with +/-0.8mm and +/-0.4mm tolerance between mounting holes

SAFETY STANDARDS

- ***Safety:** UL 1950 / CSA 22.2 No.234 / VDE EN60950
- ***EMI:** FCC class B / EN55022 B
- ***EMS:** Level 3 of IEC-802, 803, 804

PIN	Output
1~3	+5V
4~7	GND
8~9	+12V
10	-12V
11	-5V
12	N/C

Output Voltage	Min. Load	Rated Load	Max. Load	Tolerance
+5V	0A	10A	12A	+/-0.05V
+12V	0A	2A	3A	+/-0.6V
-12V	0A	0.5A	----	+/-0.6V
-5V	0A	0.5A	----	+/-0.75V