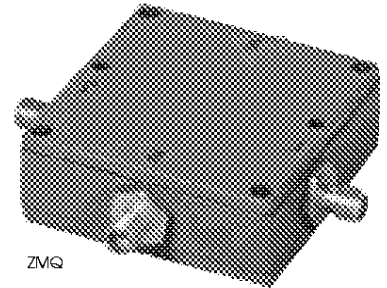
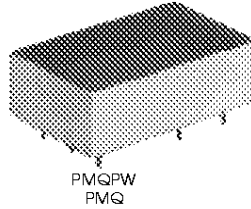
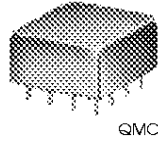


Plug-In & Coaxial

QPSK 30 to 1050 MHz

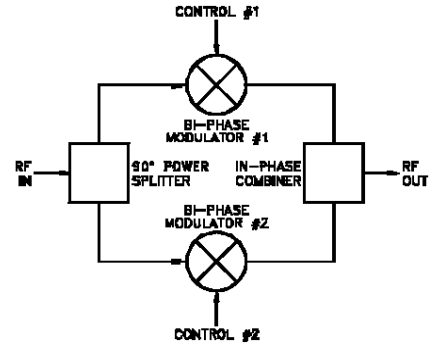


wideband 360° in 90° steps

MODEL NO.	FREQ. (MHz)	INSERTION LOSS, dB		AMPLITUDE UNBAL., dB		PHASE UNBAL., Deg (±)		1 dB COMPRESSION, dBm	VSWR, Typ.		CAPD DATA <small>See RF/IF Designer Handbook (book)</small> Page	CASE STYLE Note B	CONNECTOR	PRICE \$ Qty. (1-9)
		Typ.	Max.	Typ.	Max.	Typ.	Max.		IN	OUT				
QMC-100	50-100	5.6	7.5	0.2	0.8	3	6	4	1.5:1	1.9:1	11-14	C07	da	128.95
QMC-170	90-170	5.6	7.5	0.3	0.8	3	6	4	1.3:1	1.5:1	11-15	C07	da	128.95
QMC-1050	800-1050	5.5	7.5	0.5	1.0	3	7	4	2.0:1	2.0:1	11-15	C07	dr	119.95
PMQ-94	47-94	5.5	7.0	0.4	1.2	3	5	4	1.7:1	1.7:1	11-12	AAA118	ds	119.95
PMQ-330	200-330	5.8	8.0	0.4	1.5	3	6	4	1.5:1	1.5:1	11-12	AAA118	ds	119.95
PMQ-440	240-440	5.9	8.0	0.5	1.8	3	7	4	1.5:1	1.5:1	11-13	AAA118	ds	119.95
PMQPW-150*	30-150	6.0	10.5	0.4	0.9	3	8	4	2:1	2:1	11-13	AAA118	ds	172.95
PMQPW-250**	50-250	6.5	10.5	0.5	1.2	3	8	4	1.7:1	1.4:1	11-14	AAA118	ds	172.95
△ ZMQ-1050	800-1050	5.5	7.5	0.5	1.0	3	7	4	2.0:1	2.0:1	11-15	HHH141	du	169.95

features

- octave & multi-octave bandwidth
- good phase & amplitude balance
- hermetically sealed metallic enclosure with plug-in version.
- capable of meeting MIL-M-28837 requirements



pin and coaxial connections

see case style outline drawings for pin locations

PORT	da	dr	ds	du
RF IN	13	13	8	3
RF OUT	1	2	4	1
CONTROL-1	5	4	2	4
CONTROL-2	8	1	6	2
NOT USED	2	9,12,16	—	—
GND EXT.	3,4,6,7,9,10, 11,12,14,15,16	3,5,6,7,8, 10,11,14,15	1,3,5,7	—
CASE GND	3,4,6,7,10, 11,14,15	3,5,6,7,8, 10,11,14,15	1,3,5,7	—

PHASE SHIFT VS. CONTROL CURRENT

CONT-1 (mA)	CONT-2 (mA)	PHASE SHIFT (Deg.)
+20	+20	0 (REF)
+20	-20	90
-20	-20	180
-20	+20	270

NOTES:

- * Protected under patent No. 4,673,898
- △ Available only with SMA connectors
- A. General Quality Control Procedures, Environmental Specifications, Hi-Rel and MIL description are given in General Information (Section 0).
- B. Connector types and case mounted options, case finishes are given in section 0, see "Case styles & outline drawings".
- C. Prices and specifications subject to change without notice.
- 1. Absolute maximum power, voltage and current rating:
1a. Input power, 100mW; 1b. Control current, 40mA
- 2. All specifications at control current ±20mA
- 3. Control ports drive with 50 ohms source



In Stock... Immediate Delivery

For Custom Versions Of Standard Models Consult Our Applications Dept.