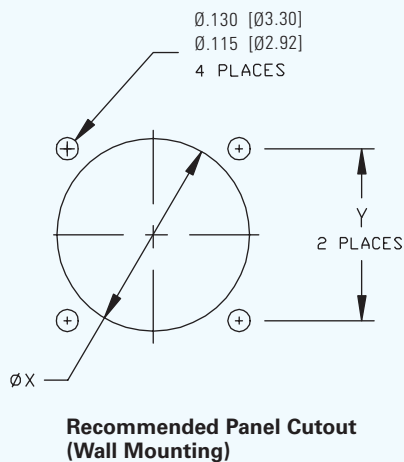
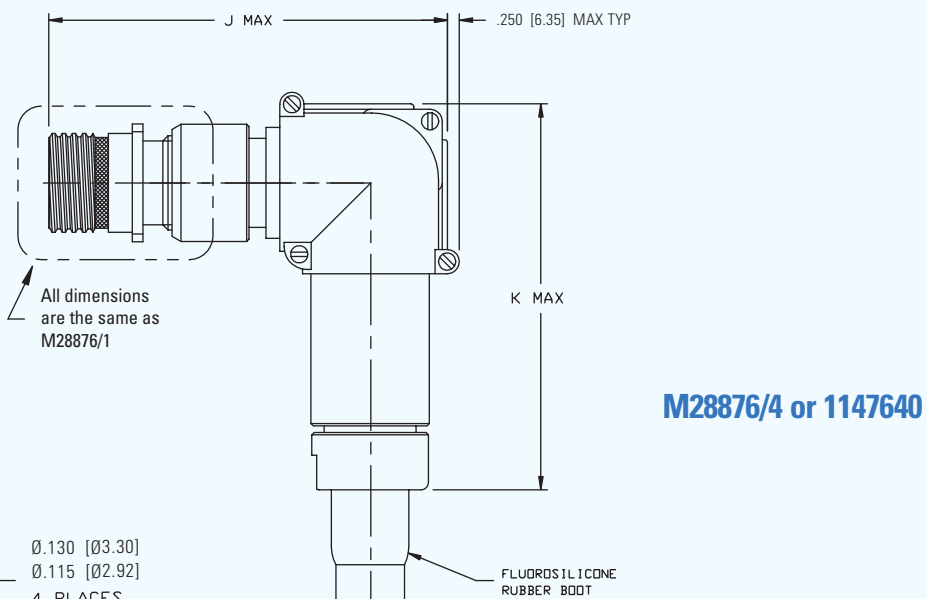
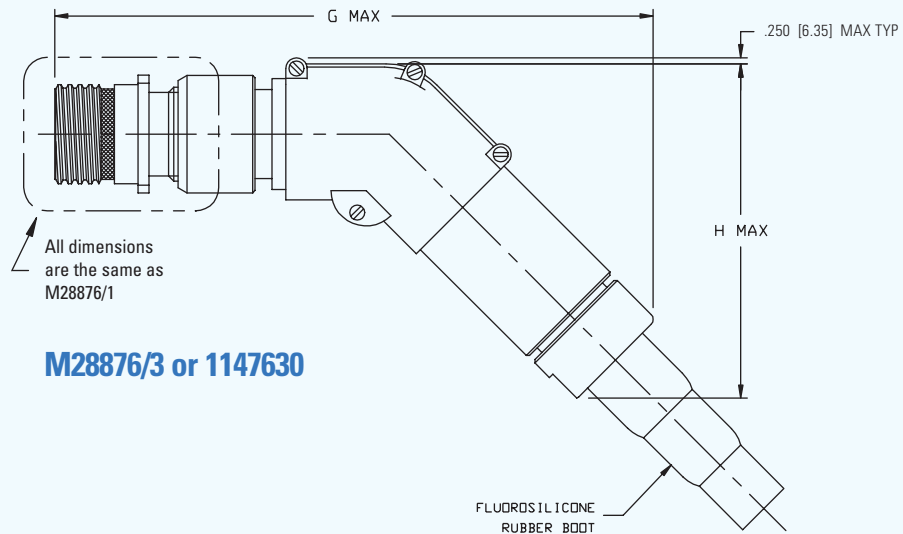


Wall Mount Receptacles



Dimension Table Panel Cutout, Wall Mount Receptacles

Shell Size	ØX ±.005 [0.13]	Y ±.005 [0.13]
11	.812 [20.62]	.750 [19.05]
13	.937 [23.80]	.843 [21.41]
15	1.124 [28.55]	.968 [24.59]
23	1.562 [39.67]	1.281 [32.54]

Dimensions shown are for reference only. Unless otherwise specified, dimensions are in inches and [millimeters].