

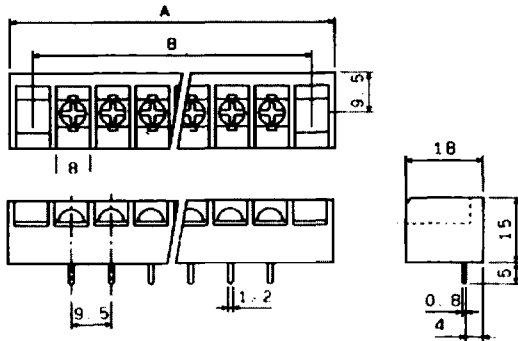
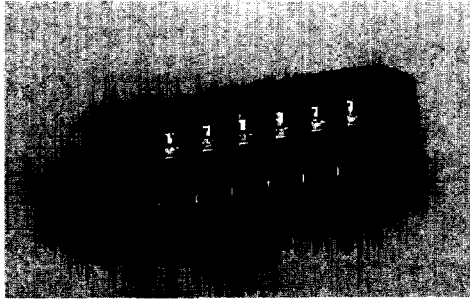
ASH-95 Series Pitch 9.5mm

Specifications

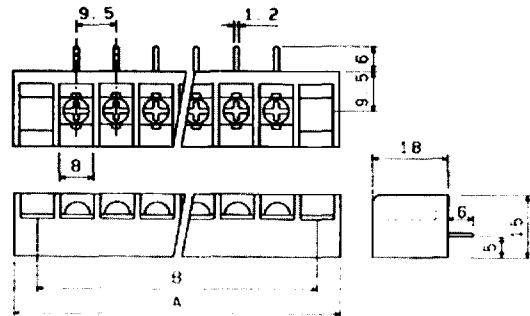
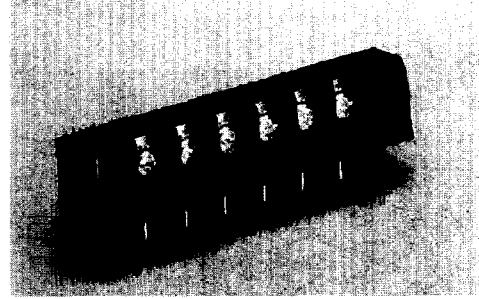
BARRIER MATERIAL: THERMOPLASTIC (UL 94V-0), BLACK
 TERMINALS: TIN PLATED BRASS
 SCREWS: NICKEL PLATED STEEL
 WIRE RANGE AWG: 14-22 STR.
 RATING: 15 AMPERES, 300 VAC
 INSULATION WITHSTANDS VOLTAGE AC 2000
 INSULATION RESISTANCE 500MΩ OR MORE AT DC 500V

MOUNTING END & BARRIER
 END ARE BOTH AVAILABLE

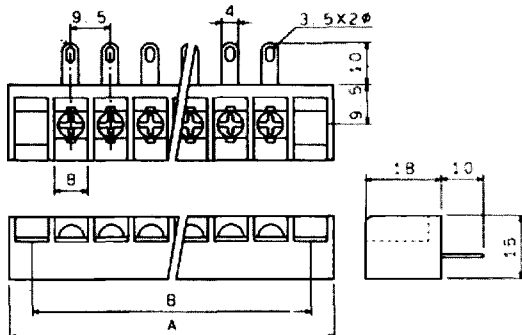
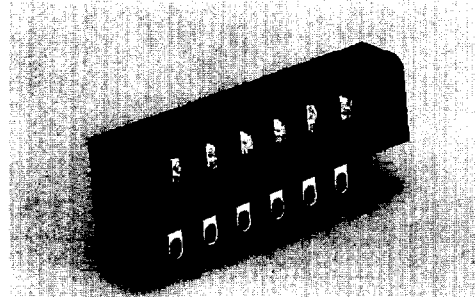
ASH-951



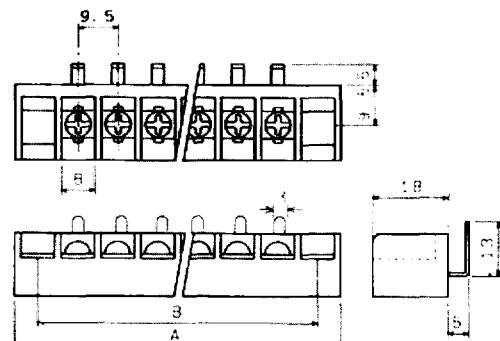
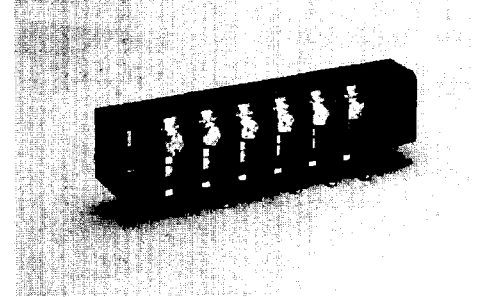
ASH-952



ASH-953

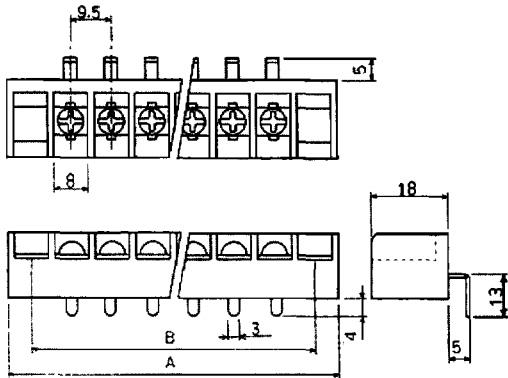
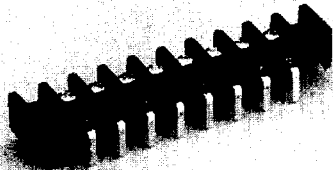


ASH-954

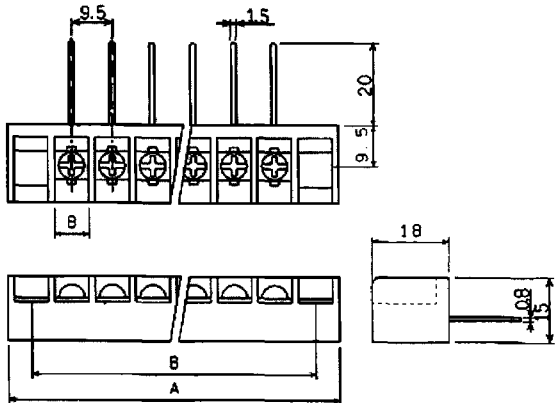
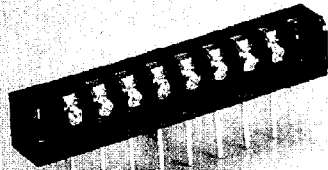


ASH-95 Series Continued....

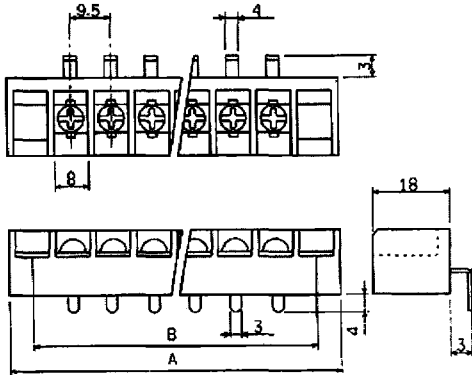
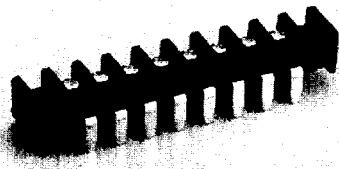
ASH-955



ASH-956



ASH-957



DIMENSION: ± 0.8mm/m

Pole	2	3	4	5	6	7	8	9	10	11	12	13	14	15
A	39	48.5	58	67.5	77	87	96	106	115	124.5	134	143.5	153	162
B	28.5	38	47.5	57	66.5	76	85.5	95	104.5	114	123.5	133	142.5	152

Pole	16	17	18	19	20	21	22	23	24	25	26	27	28
A	172	181.5	191	201	210	219.5	229	238	248	257	262	276	286
B	161.5	171	180	190	199.5	209	218.5	228	237.5	247	256.5	266	275