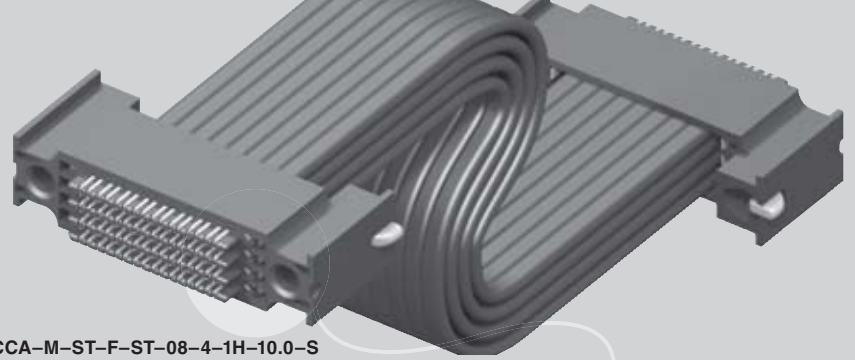


(1,27mm) .050"

GCCA SERIES

GCCA-M-ST-F-ST-08-4-1H-10.0-S



HIGH SPEED/HIGH DENSITY CABLE SYSTEM

SPECIFICATIONS

For complete specifications and recommended PCB layouts see www.samtec.com?GCCA

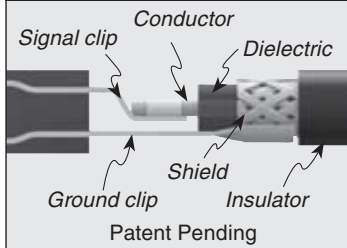
Cable: 30 AWG 100Ω Twinax
Insulator Material: Black Liquid Crystal Polymer
Contact Material: Copper Alloy
Operating Temp Range: -40°C to +105°C
Plating: Au or Sn over 50µ" (1,27µm) Ni
RoHS Compliant: Yes

Cable Length	Rated @ 7dB Insertion Loss
6" (152.4mm)	11.00 GHz / 22.00 Gbps
39.37" (1m)	5.86 GHz / 11.72 Gbps

Performance and complete test data available at www.samtec.com?GCCA or contact sig@samtec.com

Mates with:
GCAM, GCCA

APPLICATION



One or two banks

Contacts

30 AWG Twinax ribbon cable

Grounds

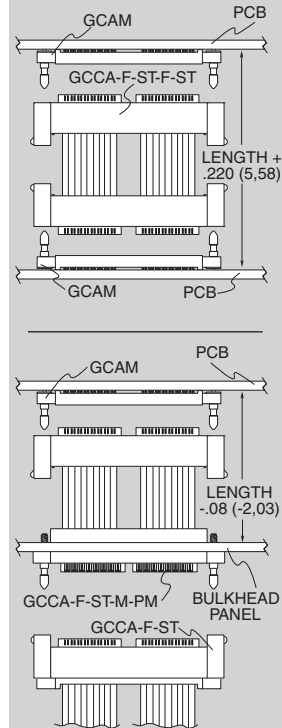
32 Signal pairs with grounds per bank

APPLICATION SPECIFIC OPTION

- 4 Banks (2x2) 128 pairs
 - 2 Banks Vertical
- Call Samtec ASP Group.

Contact dr@samtec.com for additional information.

APPLICATIONS



Note: Cable lengths greater than 40.00" (1 meter) are not supported with S.I. test data.

Note: Some lengths, styles and options are non-standard, non-returnable.

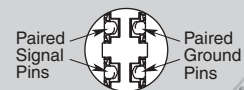
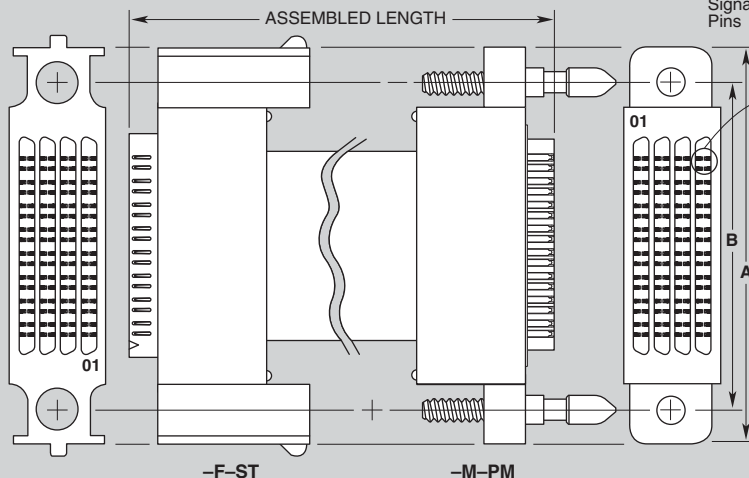


- F-ST = Female Surface Mount
- F-PM = Female Panel Mount
- M-ST = Male Surface Mount
- M-PM = Male Panel Mount

- 1H = 1 Bank Horizontal (32 Pairs)
- 2H = 2 Banks Horizontal (64 Pairs)

-"XX.X"
= Assembled Length in inches (254.0mm) 10.0" Min.

-S
= 30µ" (0,76µm) Gold on contact area, Matte Tin on tail



ALSO AVAILABLE

Components available (GCDP & GCH Series)
Call Samtec.

BANKS	A	B
1H	(48,64) 1.915	(39,50) 1.555
2H	(82,55) 3.250	(73,41) 2.890

Due to technical progress, all designs, specifications and components are subject to change without notice.

WWW.SAMTEC.COM