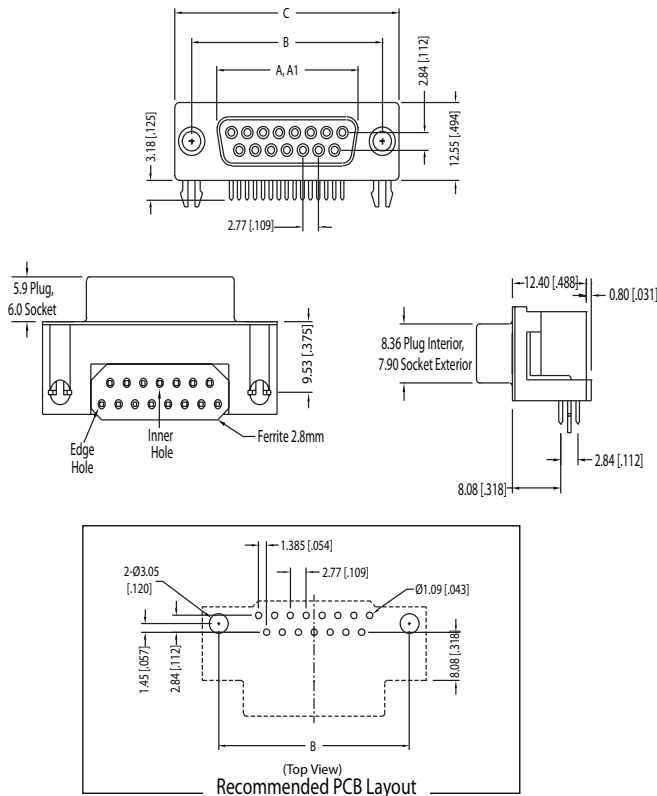


RoHS



## KF22X Series Right Angle PCB Mount .318" Footprint with Ferrite

Pictured with Board Lock Option, Dimensions in mm [In]



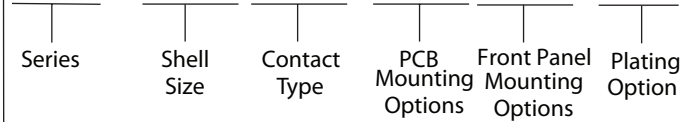
Shell Size	In mm			
	A	A1	B	C
9 (E)	±.010 ±.025	±.010 ±.025	±.005 ±.013	±.015 ±.038
15 (A)	.643 16.33	.666 16.92	.984 24.99	1.213 30.81
25 (B)	.971 24.66	.994 25.25	1.312 33.32	1.541 39.14
37 (C)	1.511 38.38	1.534 38.96	1.852 47.04	2.088 53.04
	2.159 54.84	2.182 55.42	2.500 63.50	2.729 69.32

A = Exterior of Female Shell (S) A1 = Interior of Male Shell (P)

## FERRITE D-SUBMINIATURE

### KF22X Series

#### Ordering Information



#### Series

KF22X - D-Subminiature Connector, .318" Footprint with Ferrite

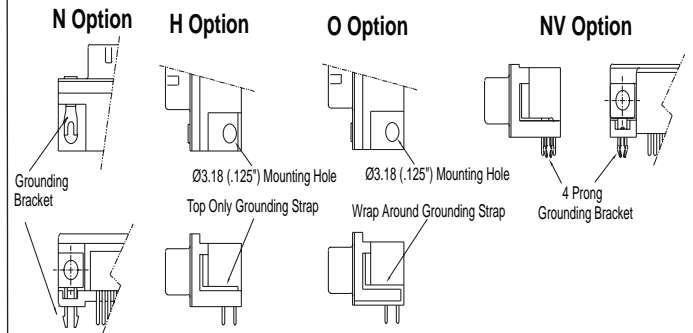
#### Shell Size-Contact Option

- E - 9 Contacts
- A - 15 Contacts
- B - 25 Contacts
- C - 37 Contacts

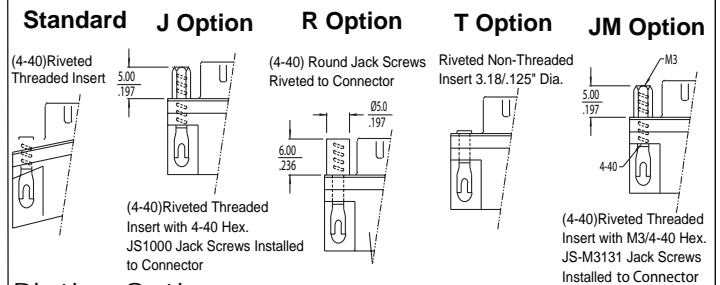
#### Contact Type

- P - Pin Contact (Plug)
- S - Socket Contact (Receptacle)

#### PC Board Mounting Option



#### Front Panel Mounting Option



#### Plating Option

- Blank - Gold Flash
- 15 - 15µ" Gold
- 30 - 30µ" Gold

Contact Kycon for other Options