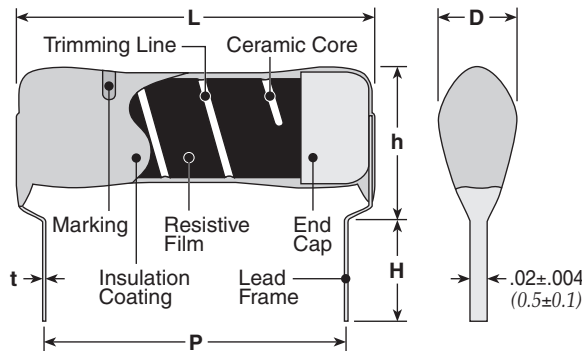


## features

- Lead frame construction
- High density assembly and excellent self-standing strength
- Marking: Blue body color with color dot marking for resistance and tolerance values
- Products with lead-free terminations meet RoHS requirements. Pb located in glass material, electrode and resistor element is exempt per Annex 1, exemption 5 of EU directive 2005/95/EC

## dimensions and construction



Type	Dimensions inches (mm)					
	L (max.)	D (max.)	P	H	h (max.)	t
LF1/8	.197 (5.0)	.098 (2.5)	.100±.008 (2.54±0.2)	.236±.039 (6.0±1.0)	.200 (5.08)	.010 (0.25)
LF1/4	.295 (7.5)		.200±.008 (5.08±0.2)	.118±.020 (3.0±0.5)	.217 (5.5)	.012 (0.3)
LF1/4L	.413 (9.6)	.300±.012 (7.62±0.3)	.217±.020 (5.5±0.5)			
LF1/2			.285 (7.25)	.100 (2.54)	.200±.012 (5.08±0.3)	.197±.039 (5.0±1.0)
LFF1/4						
RK26B2E						

## ordering information - LF, LFF

New Part #	LF	1/4	C	T	T	A	1000	D							
Type	LF LFF	Power Rating	1/8: 0.125W 1/4: 0.25W 1/4L: 0.25W 1/2: 0.5W	T.C.R. (ppm/°C)	C: ±50 D: ±100 L: ±200	Termination Material	T: Sn (Other termination styles may be available, please contact factory for options)	Taping	T: Taping (1/8W, 1/4W only) Blank: Bulk	Packaging	Ammo (1/8, 1/4 only)	Nominal Resistance	±2%, ±5%: 2 significant figures + 1 multiplier "R" indicates decimal on value <10Ω ±0.5%, ±1%: 3 significant figures + 1 multiplier "R" indicates decimal on value <100Ω	Tolerance	D: ±0.5% F: ±1% G: ±2% J: ±5%

## ordering information - RK26

New Part #	RK26	B	2E	T	T	A	1003	F							
Type	RK26	T.C.R. (ppm/°C)	B: ±350	Power Rating	2E: 0.25W	Termination Material	T: Sn (Other termination styles may be available, please contact factory for options)	Taping	T: Taping Blank: Bulk	Packaging	Ammo	Nominal Resistance	±2%, ±5%: 2 significant figures + 1 multiplier "R" indicates decimal on value <10Ω ±0.5%, ±1%: 3 significant figures + 1 multiplier "R" indicates decimal on value <100Ω	Tolerance	F: ±1% G: ±2% J: ±5%

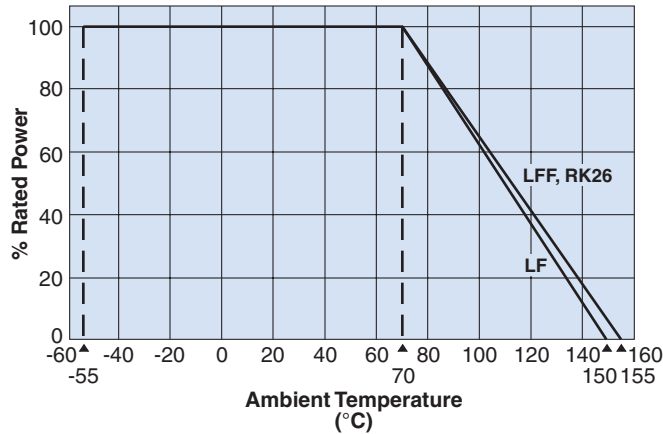
For further information on packaging, please refer to Appendix C.

## applications and ratings

Part Designation	Power Rating	T.C.R. (ppm/°C) Max.	Resistance Range (Ω)				Absolute Maximum Working Voltage	Absolute Maximum Overload Voltage	Rated Ambient Temperature	Operating Temperature Range
			D±0.5% E-96	F±1% E-24,E-96	G±2% E-24	J±5% E-24				
LF1/8	0.125W	C: ±50	44.9 - 562k	4.7 - 1M	1 - 1M	1 - 1M	200V	400V	+70°C	-55°C to +150°C
		D: ±100								
		L: ±200								
LF1/4 LF1/4L	0.25W	C: ±50	10 - 1M	10 - 1M	1 - 1M	1 - 1M	250V	500V		
		D: ±100								
		L: ±200								
LF1/2	0.5W	C: ±50	10 - 1M	10 - 1M	1 - 1M	1 - 1M	350V	700V		
		D: ±100								
		L: ±200								
LFF1/4	0.25W	C: ±50	—	10 - 100k	10 - 100k	—	250V	500V	-55°C to +155°C	
		D: ±100								
RK26B2E	0.25W	B: ±350	—	100K - 22M	100K - 33M	100K - 33M	500V	700V		

## environmental applications

### Derating Curve



## Performance Characteristics

Parameter	Requirement
Short Time Overload	
Effects of Solder	±(0.5% + 0.05Ω)
Moisture Resistance	
Load Life	±(1.0% + 0.05Ω)
Temperature Cycling	±(0.5% + 0.05Ω)
Vibration	±(0.2% + 0.05Ω)