

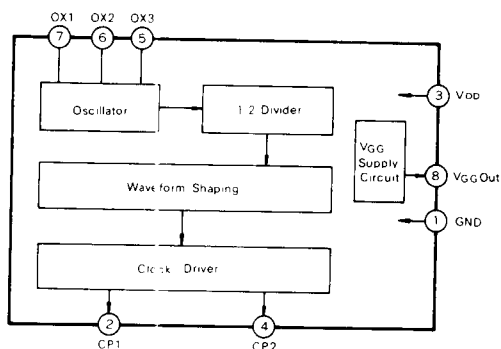
MN3102	CMOS Clock Generator/Driver for Low Voltage Operation BBD	$V_{DD} = -0.3 \sim +12V$	Supply Current	I_{DD}	Without load	0.5		mA
		$V_I = -0.3 \sim V_{DD} + 0.3V$	Power Consumption	P_{tot}	Clock output 40kHz	2.5		mW
		$V_O = -0.3 \sim V_{DD} + 0.3V$	"H" Level Input Voltage (OX1)	V_{IH}		$V_{DD} - 1$	V_{DD}	V
		$P_D = 200mW$	"L" Level Input Voltage (OX1)	V_{IL}		0	1	V
		$T_{opr} = -10 \sim +70^\circ C$	"H" Level Output Current (OX2)	I_{OH1}	$V_O = 4V$	0.5		mA
		$T_{stg} = -30 \sim +125^\circ C$	"L" Level Output Current (OX2)	I_{OL1}	$V_O = 1V$	0.4		mA
			"H" Level Output Current (OX3)	I_{OH2}	$V_O = 4V$	0.7		mA
			"L" Level Output Current (OX3)	I_{OL2}	$V_O = 1V$	1		mA
		Operating Condition	"H" Level Output Current (CP1, CP2)	I_{OH3}	$V_O = 4V$	5		mA
			"L" Level Output Current (CP1, CP2)	I_{OL3}	$V_O = 1V$	5		mA
$V_{DD} = 5V$	Output Voltage ($V_{GG(OUT)}$)	$V_{GG(OUT)}$				4.67	V	
* V_{GG} voltage supply for Matsushita low voltage operation BBDS. The voltage might not be suitable for other maker's.								

DIGITAL MONOLITHIC INTEGRATED CIRCUITS (MOS)

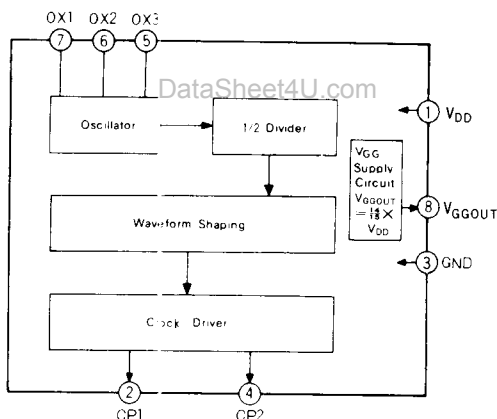
MOS IC, LSI

Block Diagram

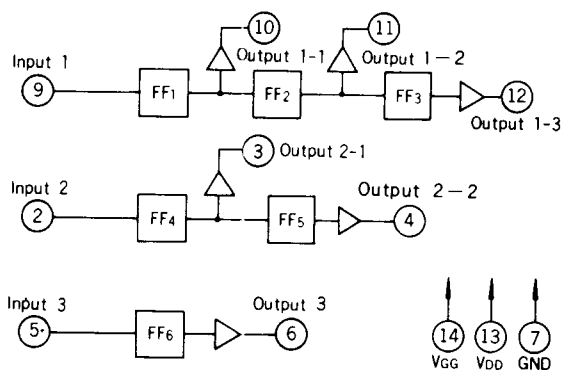
MN3101 (Package L-9, 8-Lead Plastic DIL)



MN3102 (Package L-9, 8-Lead Plastic DIL)



MN133 (Package L-12, 14-Lead Plastic DIL)



at4U.com

DataSheet4U.com