

POWER-MOX RESISTOR SERIES

Outline drawing for "Power-Mox" series
with silver terminations.



FEATURES

- *Wide resistance range
- *Outstanding voltage coefficient
- *0.4" diameter ferrule, 1/4"-20 threaded end cap, or radial bands available
- *Metal oxide resistive elements

CHARACTERISTICS

- *Resistance Range: 20K to 1,000,000M
- *Power Rating: to 75 W
- *Voltage Rating: to 60 KV
- *Temp Range: - 65°C to + 180°C

APPLICATIONS

- *Power Transmitters
- *Pollution Control Systems
- *Industrial Control Systems

Some tolerances are not available over the entire resistance range.

General Specifications: Power Mox Series				Physical Dimensions: Inches (mm)		
Victoreen Type	Resistance Range(Ohms)	Power @25°C	Voltage Rating	Available Tolerances	A +/- 0.05	B max
MOX-F	1K to 800,000M	25 W	20 KV	0.5, 1, 2, 5	3.0" (76.2)	0.770" (19.56)
MOX-G	1.5K to 1,000,000M	40 W	30 KV	0.5, 1, 2, 5	4.5" (114.3)	0.770" (19.56)
MOX-H	2K to 1,000,000M	50 W	45 KV	0.5, 1, 2, 5	6.0" (152.4)	0.770" (19.56)
MOX-J	3K to 1,000,000M	75 W	60 KV	0.5, 1, 2, 5	8.0" (203.2)	0.770" (19.56)

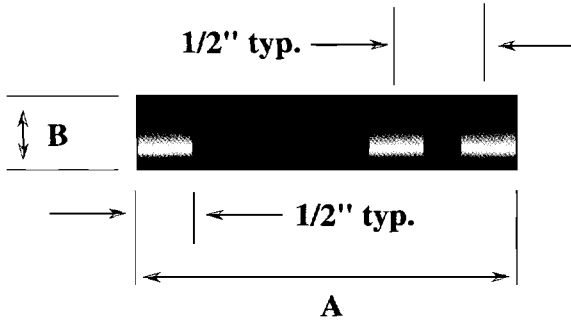
POWER-MOX RESISTOR DIVIDER SERIES

General Specifications: Power Mox Dividers						
Victoreen Type	Resistance Range(Ohms)	Power @25°C	Voltage Rating	Maximum Ratio	Ratio Tolerances	
MOX-FRD	20K to 2,500M	15 W	15 KV	5,000 : 1	1, 2, 5 %	
MOX-GRD	20K to 4,000M	30 W	25 KV	5,000 : 1	1, 2, 5 %	
MOX-HRD	20K to 6,000M	40 W	35 KV	5,000 : 1	1, 2, 5 %	
MOX-JRD	20K to 6,000M	60 W	50 KV	5,000 : 1	1, 2, 5 %	

POWER-MOX RESISTOR SERIES

Power-Mox drawings with alternate hardware for mounting

Outline drawing for "Power-Mox RD" series with silver terminations.

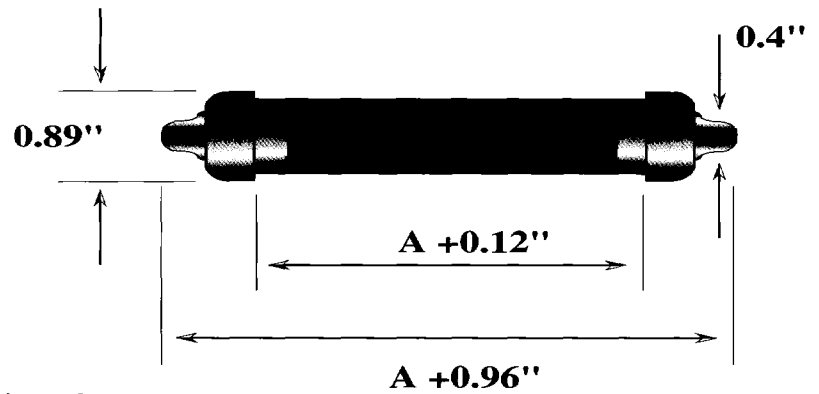


A complete description of the Power-Mox™ is required. See example below:

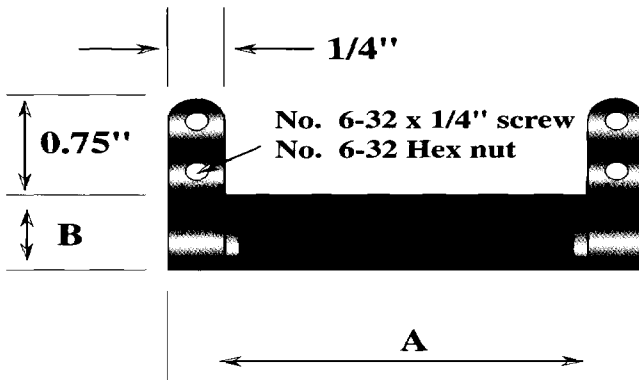
$R_T = 500 \text{ MegOhm } 1\%$
 $R_1 = 499.5 \text{ MegOhm } 1\%$
 $R_2 = 500 \text{ K Ohm } 1\%$

Ratio = $R_T / R_2 = 1,000 : 1 \ 1\%$

Outline drawing for "Power-Mox" series with Ferrule end caps.



Outline drawing for "Power-Mox" series with radial band option.



Outline drawing for "Power-Mox" series with 1/4-20 threaded end caps.

