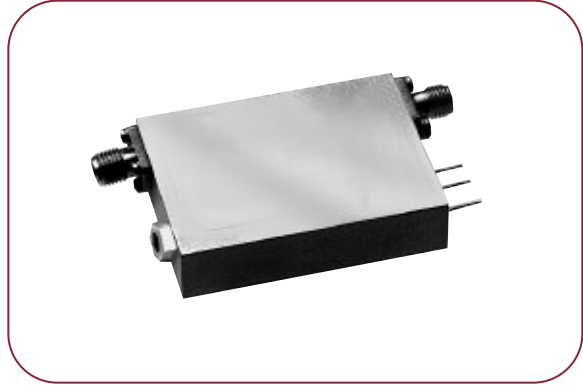


ANALOG PIN ATTENUATORS

FEATURES

- Attenuation range of up to 60 dB
- Up to octave bandwidths
- Voltage control
- Standard field replaceable RF connectors



Frequency Range (GHz)	Model Number	Insertion Loss (dB, Max.)	VSWR* In/Out (Max.)	Amplitude Response** (±dB)	Atten. Range Options (dB, Min.)	Control Options*** (VDC)	Outline
STANDARD, NARROWBAND VOLTAGE-CONTROLLED MODELS							
0.95–1.75	MPAT-00950175-	1.2	1.5:1	See notes	10–60	0–20	174335
1.275–1.48	MPAT-01270148-	2.5	1.5:1	See notes	0–30	0–20	174337
1.5–1.8	MPAT-01500180-	1.1	1.5:1	See notes	10–60	0–20	174336
2.1–2.7	MPAT-02100270-	1.5	1.5:1	See notes	10–60	0–20	174336
2–2.2	MPAT-02000220-	1.7	1.5:1	0.3 in band	0–37	0–6	174336
3.1–3.5	MPAT-03100350-	2.2	1.3:1	0.25 in band	0–15	0–5	Contact MITEQ
3.4–4.2	MPAT-03400420-	2.2	1.5:1	See notes	10–60	0–20	174336
3.8–4.1	MPAT-03800410-	1.3	1.5:1	1 max. at 20–80 dB atten.	10–60	0–5	174336
4.5–4.8	MPAT-04500480-	2.2	1.5:1	See notes	10–60	0–20	174336
5.845–6.43	MPAT-05840643-	2.2	1.5:1	See notes	10–60	0–20	174336
6.4–7.2	MPAT-06400720-	2.2	1.5:1	See notes	10–60	0–20	174336
7.25–7.75	MPAT-07250775-	2.2	1.5:1	See notes	10–60	0–20	174336
7.5–8.5	MPAT-07500850-	1.8	1.5:1	0.25 in band	0–10	0–10	174338
7.9–8.4	MPAT-07900840-	2.2	1.5:1	See notes	10–60	0–20	174336
10.7–12.5	MPAT-10701250-	2.2	1.5:1	See notes	10–60	0–20	174337
10.95–12.75	MPAT-10951275-	2.2	1.5:1	See notes	10–60	0–20	174337
11.7–12.75	MPAT-11701275-	2.2	1.5:1	See notes	10–60	0–20	174337
12.75–13.25	MPAT-12751325-	2.5	1.5:1	See notes	10–60	0–20	174337
13.75–14.5	MPAT-13751450-	2.5	1.5:1	See notes	10–60	0–20	174337
14–14.8	MPAT-14001480-	2.7	1.5:1	See notes	10–60	0–20	174337
17.3–18.1	MPAT-17301810-	3	1.5:1	See notes	10–60	0–20	174338
17.7–20.2	MPAT-17702020-	3	1.5:1	See notes	10–60	0–20	174338

* VSWR performance is specified over full attenuation range.

** Amplitude response: ±0.2 dB over any 40 MHz window, ±1 dB over full band from 0–30 dB attenuation.

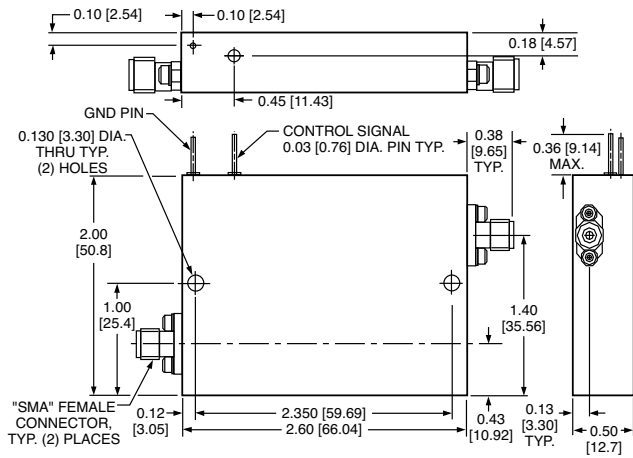
*** Insertion loss occurs at 0 V control.

Data presented in this table refers to room temperature.

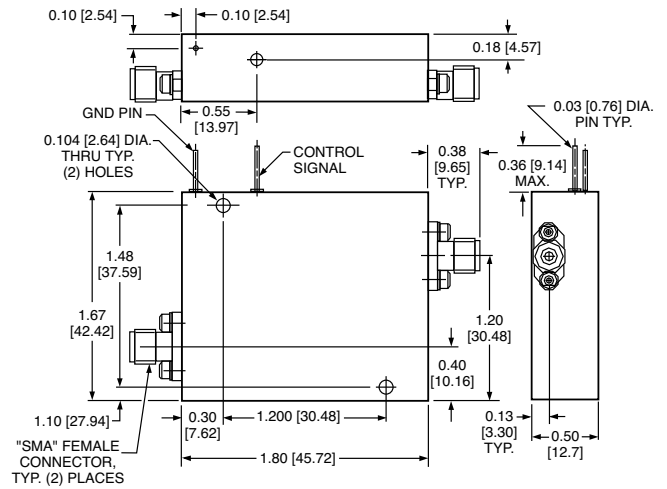
Custom models featuring broader bandwidths, and/or optimized specifications are also available. Consult MITEQ for options.

ANALOG PIN ATTENUATORS OUTLINE DRAWINGS

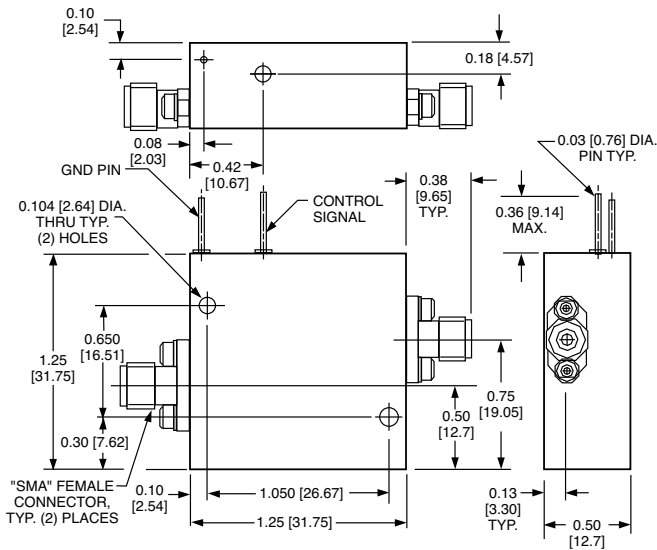
174335



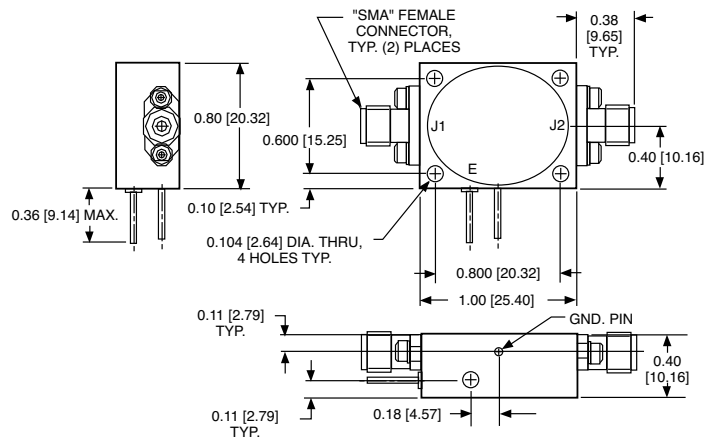
174336



174337



174338



GENERAL NOTES:

1. Dimensions shown in brackets [] are in millimeters.
2. Unless specified, all connectors are type SMA female field replaceable.
3. Tolerance as follows:
 .xx = ± 0.01 [.xx = ± 0.25]
 .xxx = ± 0.005 [.xxx = ± 0.13]