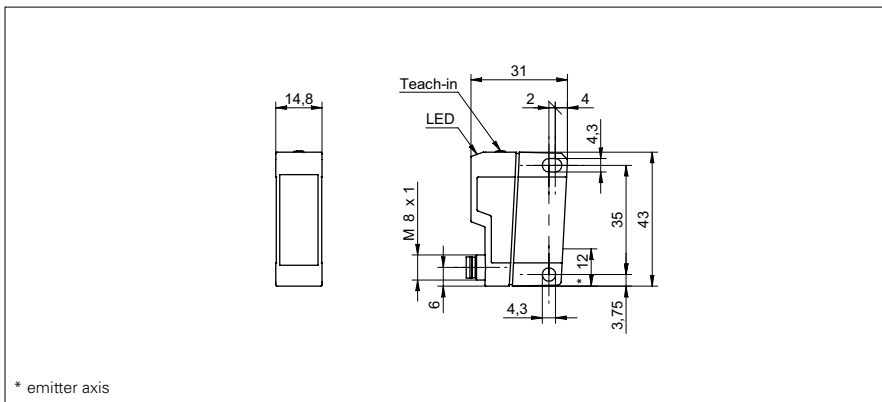


Diffuse contrast sensor

OZDK 14 (Laser)

sample drawing



general data

type	diffuse contrast sensor
light source	pulsed red laser diode
sensing distance Tw	20 ... 300 mm
optimum operating distance	40 ... 60 mm
repeat accuracy	< 0,2 mm at laser focus
alignment / soiled lens indicator	flashing light indicator
power on indication	LED green
light indicator	LED yellow
sensitivity adjustment	Teach-in
laser class	2
distance to focus	115 mm
wave length	650 nm

electrical data

response time / release time	< 0,15 ms
voltage supply range +Vs	10 ... 30 VDC
current consumption max.	35 mA
current consumption typ.	25 mA
voltage drop Vd	< 2,2 VDC
output function	light operate
output current	< 100 mA
short circuit protection	yes
reverse polarity protection	yes

mechanical data

width / diameter	14,8 mm
height / length	43 mm
depth	31 mm
type	rectangular
housing material	plastic (ASA, MABS)
front (optics)	PMMA

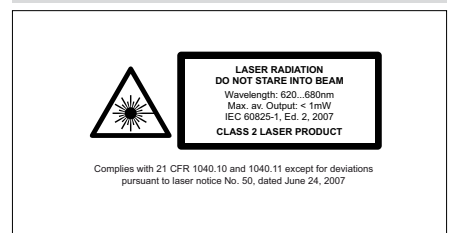
ambient conditions

operating temperature	-10 ... +50 °C
protection class	IP 67

sample picture



laser warning



Diffuse contrast sensor**OZDK 14 (Laser)**

order reference	connection types	output circuit
OZDK 14N1901	cable 4 pin, 2 m	NPN
OZDK 14N1901/S14	connector M12 4 pin	NPN
OZDK 14N1901/S35A	connector M8 4 pin	NPN
OZDK 14P1901	cable 4 pin, 2 m	PNP
OZDK 14P1901/S14	connector M12 4 pin	PNP
OZDK 14P1901/S35A	connector M8 4 pin	PNP