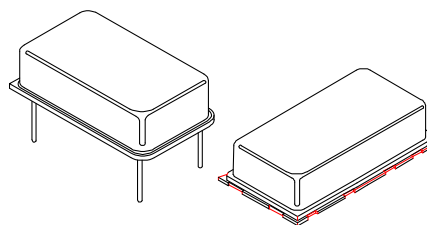




P1145-3S Series

- Full Size (14 Pin DIP) Metal Clock Oscillator
- CMOS with Enable/ Disable
- Lower Ringing Noise Option Available to Reduce EMI
- Available in Thru-Hole or Surface Mount Configuration



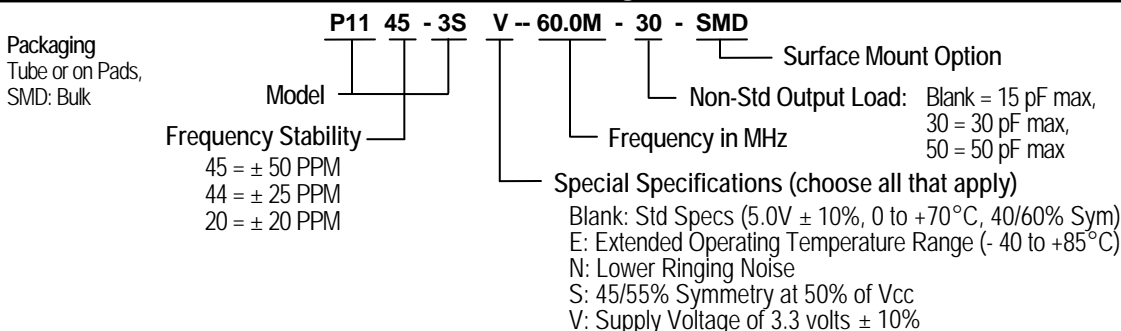
650 kHz – 69.999 MHz

Standard Specifications

Overall Frequency Stability	P1145-3S: ± 50 PPM, P1144-3S: ± 25 PPM, P1120-3S: ± 20 PPM over Operating Temp. Range
Operating Temperature Range	0 to +70°C is standard, but can be extended to -40 to +85°C for certain frequencies
Supply Voltage (Vcc)	5.0 volts and 3.3 volts available
Symmetry (Duty Cycle)	40/60 to 60/40% is standard, but 45/55% at 50% of Vcc is also available (see Waveform 1)
Logic Levels	Logic "1" 90% of Vcc MIN; Logic "0" 10% of Vcc MAX
Output Load	Standard load is 15pF maximum, see Test Circuit 3 (consult factory for heavier loads)
Ringing Noise	Depends on frequency and output load. See EMI application note
Enable/Disable Option (E/D)	Output enabled when Pin #1 is open or at Logic "1"; Output disabled when Pin #1 is at Logic "0".

Frequency Range (MHz)	Supply Current		Rise and Fall Time	
	Icc (mA) w/ 15pF load	Typical	Tr & Tf (nS) w/ 15pF load	Typical
0.650 – 10.000	6.5	10.0	3.0	4.0
10.001 – 25.999	15.0	20.0	2.5	3.5
26.000 – 34.999	18.0	25.0	2.5	3.5
35.000 – 50.000	25.0	30.0	2.5	3.5
50.001 – 69.999	32.0	35.0	2.5	3.5

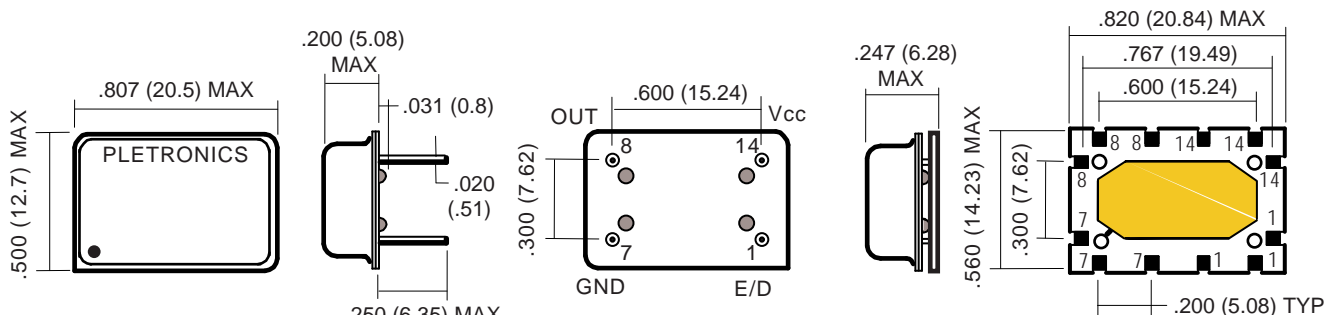
Part Numbering Guide



Consult factory for available frequencies and specs. Not all options available for all frequencies. A special part number may be assigned. Frequency Stability is inclusive of frequency shifts due to calibration, temperature, supply voltage, shock, vibration and load

Mechanical: inches (mm) not to scale Surface Mount

Due to part size and factory abilities, part marking may vary from lot to lot and may contain our part number or an internal code.



Solder pad layout may use any combination of pins 1, 7, 8 & 14 shown. Recommended pad size is .12 (3.1) x .07 (1.8) typical.

Jan 2002