

# RX03L SERIES CONNECTORS

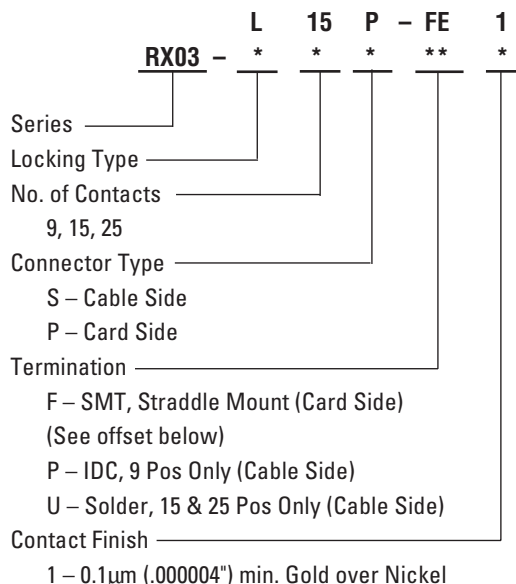
## 1.0mm (.039") Contact Spacing, I/O Card Rear Side Interface Connectors



### FEATURES

- SMT (straddle) type PCB mounting side
- Rapid sure-locking mechanism
- Ribbon type contacts withstand twisting force
- Cable side hood included
- Polarizing key prevents mismatching
- Card kit CR10-FSB & CR10-CP applicable
- Grounding dimples on receptacle side shell
- 15 Pos 2 cable sizes available
- Backshell incorporated in hood for IDC cable side enhances shielding
- Both card and cable sides have grounding tabs
- EMI protection

### ORDERING INFORMATION



### ■ Locking Type . . . . .

RX03L Series connectors are tailored to meet the requirements for use as interface connectors for I/O (LAN, MODEM) cards.

The SMT type (straddle mount) card side connector is designed for PCB mounting and the cable side connector is available in IDC (9 Pos only) or Solder (15 & 25 Pos only).

The low profile connectors feature high density contact spacing of 1.0mm (.039"). The SMT card connector is 3.5mm (.138") thick and the IDC cable connector is 5mm (.197") thick.

Ribbon type contacts assure contact durability against twisting force. The connectors are shielded to protect from EMI.

### GENERAL SPECIFICATIONS

Number of Contacts	9, 15, 25
Contact Spacing	1.0mm (.039")
Current Rating	0.5 Amps
Dielectric Withstanding Voltage	250 VAC r.m.s. (for one minute)
Insulation Resistance	100 megohms min.
Contact Resistance	40 milliohms max.
Applicable PCB Thickness	0.4 ± 0.05mm (.016 ± .002")
Applicable Wire Size	IDC #28 AWG 9 Pos Solder #24-30 AWG 15 & 25 Pos
Operating Temperature	-20°C to +60°C
Durability	5000 Cycles

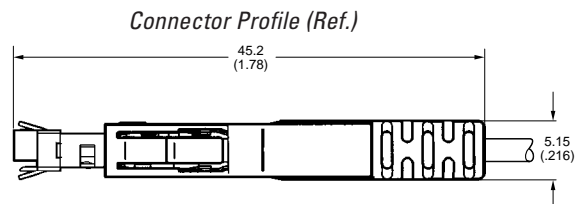
### MATERIALS AND FINISHES

#### Card Side

Description	Materials/Finishes
Contact	Phosphor Bronze: Connecting Area: Gold plating, 0.1µm min. (.000004") over Nickel Terminal Area: Tin plating
Insulator	Glass-filled PPS (UL94V-0, Black)
Shell	Steel/Nickel plating

#### Cable Side

Contact	Copper Alloy: Gold plating, 0.1µm min. (.000004") over Nickel
Insulator	Glass-filled PBT (UL94V-0)
Cover Insulator	Glass-filled 6-6 Nylon (UL94V-0)
Hood	6-6 Nylon



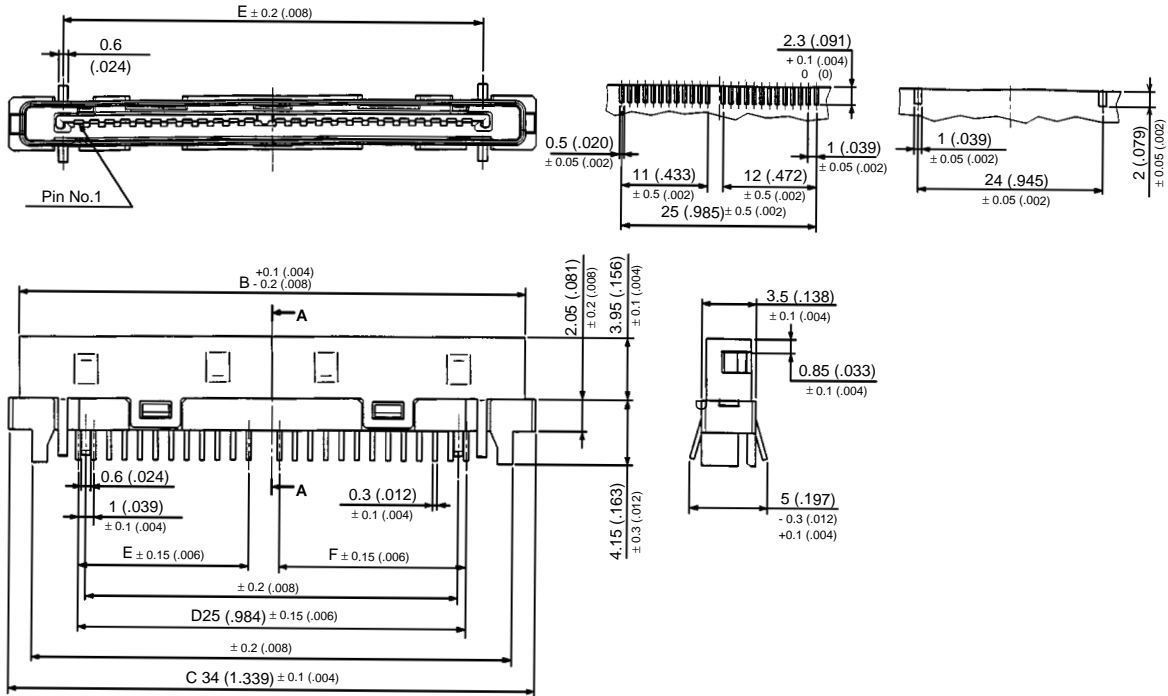
Dimensions and specifications subject to change without notice.



# RX03L SERIES CONNECTORS

1.0mm (.039") Contact Spacing, I/O Card Rear Side Interface Connectors

CARD SIDE • SMT (STRADDLE) TYPE



No. of Contacts	Part Number	A $\pm 0.2$ ( $\pm .008$ )	B	C	D	E	F
	Card Side						
9	RX03- L9P-F*1	11 ( .433)	16.6 ( .654)	18 ( .709)	9 ( .354)	3 ( .118)	4 ( .157)
15	RX03-L15P-F*1	17 ( .669)	17 ( .669)	24 ( .945)	15 ( .591)	6 ( .236)	7 ( .276)
25	RX03-L25P-F*1	27 (1.063)	32.6 (1.283)	34 (1.339)	25 ( .984)	11 ( .433)	12 ( .472)

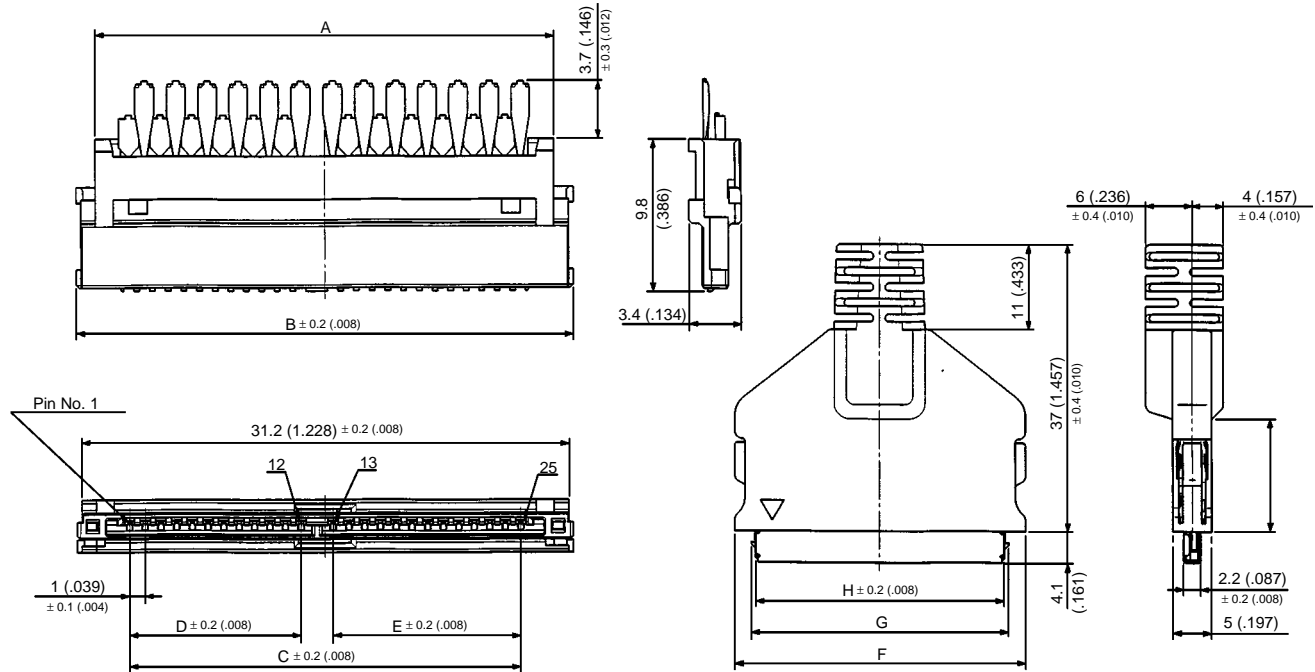
Note 1: \* Add PCB straddle position code. (offset code)  
 No letter: 0.6mm (.024") offset from center  
 E: 0.4mm  
 G: 0.85mm  
 A: -0.25mm

Dimensions in mm (inches).

# RX03L SERIES CONNECTORS

1.0mm (.039") Contact Spacing, I/O Card Rear Side Interface Connectors

## CABLE SIDE • IDC/SOLDER TERMINATION



No. of Contacts	Part Number Cable Side	A	B	C	D	E	F	G	H	I
		9	RX03- L9S-P1	13.3 ( .524)	15.8 ( .622)	9 ( .354)	3 ( .118)	4 ( .157)	21.2 ( .835)	16.8 ( .661)
15	RX03- L15S-P1	19.3 ( .760)	21.8 ( .858)	15 ( .591)	6 ( .236)	7 ( .276)	27.2 (1.071)	22.9 ( .902)	21.8 ( .834)	4.1 ( .161)
25	RX03- L25S-U1	29.3 (1.154)	31.8 (1.252)	25 ( .984)	11 ( .433)	12 ( .472)	37.2 (1.465)	32.9 (1.295)	31.8 (1.252)	4.1 ( .161)

### Tooling

HT205-2C-RX03\*\*\*  
Bench type cable-sheath  
crimping machine for  
Series FI connector

HT205-2C-RX03

700-05175-100-\*\*\*  
Crimping die applicable to each  
no. of poles for connector

700-051\*\*-1\*1-\*\*  
Crimper unit

700-051\*\*-1\*2-\*\*  
Anvil

Note 1: \*\*\* Indicate number of poles for connector. Please see the table below.

Note 2: This machine is fitted with one set of crimping die. When ordering, designate part number of crimping die for applicable number of poles. Other crimping dies must be ordered for different number of poles.

### Crimping Die (A crimping die consists of a crimper unit and anvil.)

Applicable Connector	Part Number of Crimping Die	Part Number of Crimper Unit	Part Number of Anvil
RX03- L9S-P1	700-05158-100-09	700-05158-101-09	725-05158-102-09
RX03- 15S-P1	700-05158-100-15	700-05158-101-15	725-05158-102-15
RX03- L15S-P1	700-05158-110-15	700-05177-111-15	725-05177-112-15
RX03- L9S-U1 (see Note 3)	700-05177-110-09	700-05177-111-09	725-05177-112-09
RX03-L15S1-U1	700-05177-120-15	700-05177-121-15	725-05177-122-15
RX03 -L25S-U1	700-05158-110-25	700-05158-111-25	725-05158-112-15

Note 3: Applicable for smaller size of cable in sheathe diameter.

Dimensions in mm (inches).

