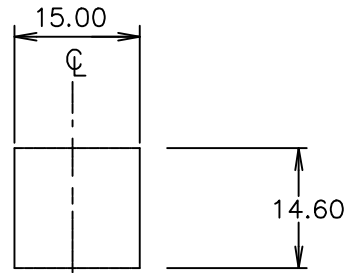
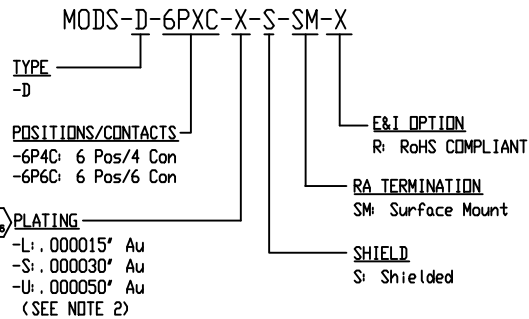
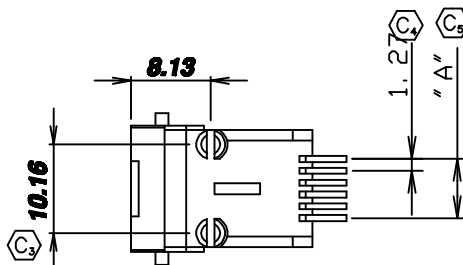
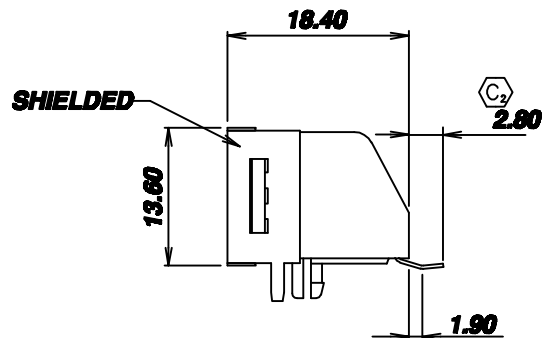
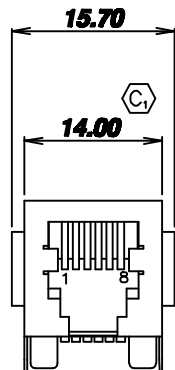


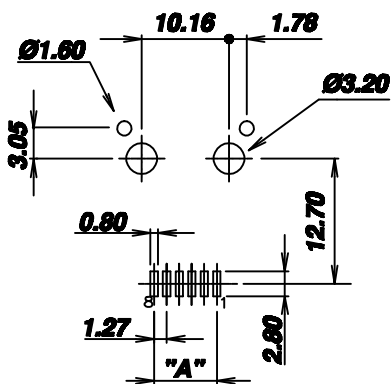
REVISION K

DO NOT SCALE FROM THIS PRINT

TABLE 1	
POS / CONTACTS	'A'
-6P4C	3.81
-6P6C	6.35



SUGGESTED PANEL CUTOUT DIMENSIONS



PCB LAYOUT

NOTES:

1. (C) REPRESENTS A CRITICAL DIMENSION
2. PLATING APPLIES TO MATING AREA, GOLD FLASH ON TAILS

UNLESS OTHERWISE SPECIFIED, DIMENSIONS ARE IN MM. TOLERANCES ARE:  
 DECIMALS ANGLES  
 X.XX±0.25 ±3  
 X.XXX±0.13  
 X.XXXX±0.05

**PROPRIETARY NOTE**  
 THIS DOCUMENT CONTAINS INFORMATION CONFIDENTIAL AND PROPRIETARY TO SAMTEC INC. AND SHALL NOT BE REPRODUCED OR TRANSFERRED TO OTHER DOCUMENTS OR DISCLOSED TO OTHERS OR USED FOR ANY PURPOSE OTHER THAN THAT FOR WHICH IT WAS OBTAINED WITHOUT THE EXPRESSED WRITTEN CONSENT OF SAMTEC INC.

DO NOT SCALE DRAWING SHEET SCALE: 1:2  
 INSULATOR: PBT 20K Glass Filled (UL 94V-0) Black  
 CONTACT: Phosphor Bronze  
 SHELL: Copper Alloy  
 MAX FLASH ALLOWED: .002  
 MAX GATE VESTIGE: .002  
 MISC MKGT

**samtec**  
 520 PARK EAST BLVD. NEW ALBANY, IN 47150  
 (812) 944-6733 P.O. BOX 1147 TWX: 810-540-4085

DESCRIPTION:  
 RJ11 or RJ12 Very Low Profile PCB Jack  
 DWG. NO.  
 MODS-D-6PXC-X-S-SM-X  
 BY: J. Riley 12/31/2003 SHEET 1 OF 1

CODE: 55322