

Type SF Lighting Capacitors, 90 °C Rated, Oil Filled

AC Rated, Oil Filled/Impregnated, Metallized Polypropylene Capacitors



For better performance in HID Lighting and HV Ballasts, Type SF oval and round oil filled metallized polypropylene lighting capacitors are built for operating in the high temperature environments for high intensity discharge (HID) lighting and other high voltage ballast applications. Each HID catalog capacitor includes an external resistor that discharges the capacitor to less than 50V in one minute, and the oil filled process assures better reliability than dry capacitors.

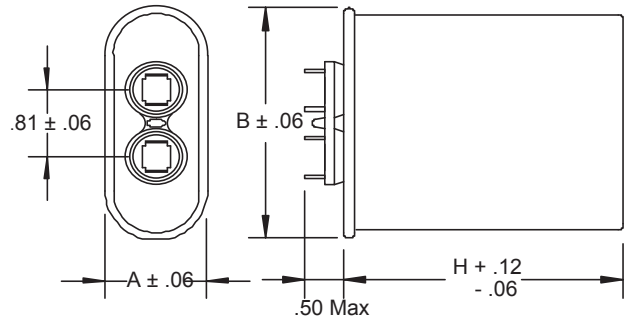
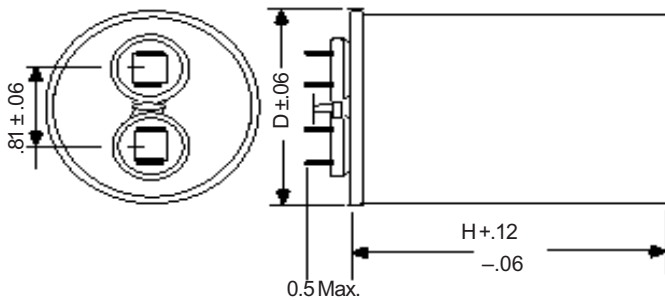
Highlights

- ◆ Protected: UL recognized under E71645
- ◆ Meets EIA Standard EIA-456-A
- ◆ Resistors: Internal or external are optional
- ◆ Casing: tin-plated steel standard, aluminum optional
- ◆ Paint: (U.L. recognized) optional

Specifications

- Capacitance range: 5 μ F to 55 μ F
- Voltage range: 280 Vac to 525 Vac, other available
- Capacitance Tolerance: \pm 3%
- Temperature Range: -25 °C, +90 °C with specials rated to +100 °C
- Operating Frequency: Operating frequency: 50 - 60 Hz

Outline Drawings



Case Code	Dimensions (Inches)		
	A	B	H
A	1.31	2.16	see Ratings
B	1.56	2.69	see Ratings
C	1.91	2.91	see Ratings
D	1.97	3.66	see Ratings

Case Code	D (Inches)	H
P	1.87	see Ratings
S	2.12	see Ratings
T	2.62	see Ratings

Part Numbering System

SF	C	33	22.5	C	1	F	R
Series	Case	AC Volt	Cap	Tol. \pm %	Case Material	No. of Tines	Optional
SF	A = 1 1/4" Oval	24 = 240 Vac	15 = 15.0 μ F	A = \pm 10%	1 = Tin plated steel	F = 2-tine + fork	R = External Resistor
	B = 1 1/2" Oval	28 = 280 Vac	22.5 = 22.5 μ F	B = \pm 6%	2 = Painted steel	2 = 2-tine	
	C = 1 3/4" Oval	30 = 300 Vac		C = \pm 3%	3 = Aluminum	4 = 4-tine	
	D = 2.0" Oval	33 = 330 Vac		Z = Special			
	P = 1 3/4" Round	40 = 400 Vac					
	S = 2.0" Round	48 = 480 Vac					

Type SF Lighting Capacitors, 90 °C Rated, Oil Filled

Ratings - Round Case Style

Cap. (μ F)	Catalog Part Number	Case Code	H (Inches)
Round 280 Vac 90 °C Case Temperature			
5.0	SFP285C1FR	P	2.38
7.0	SFP287C1FR	P	2.38
10.0	SFP2810C1FR	P	2.38
12.0	SFP2812C1FR	P	2.38
14.0	SFP2814C1FR	P	2.38
17.5	SFP2817.5C1FR	P	2.38
20.0	SFP2820C1FR	P	2.88
35.0	SFP2835C1FR	P	2.88
48.0	SFP2848C1FR	P	3.88
55.0	SFS2855C1FR	S	2.88
Round 300 Vac 90 °C Case Temperature			
10.0	SFP3010C1FR	P	2.38
12.0	SFP3012C1FR	P	2.38
14.0	SFP3014C1FR	P	2.38
16.0	SFP3016C1FR	P	2.38
20.0	SFP3020C1FR	P	2.38
Round 330 Vac 90 °C Case Temperature			
22.5	SFP3322.5C1FR	P	2.88
24.0	SFP3324C1FR	P	2.88
26.0	SFP3326C1FR	P	2.88
28.0	SFP3328C1FR	P	2.88
30.0	SFP3330C1FR	P	2.88
Round 400 Vac 90 °C Case Temperature			
10.0	SFP4010C1FR	P	2.88
15.0	SFP4015C1FR	P	2.88
19.5	SFP4019.5C1FR	P	2.88
20.5	SFP4020.5C1FR	P	2.88
24.0	SFP4024C1FR	P	3.72
Round 480 Vac 90 °C Case Temperature			
12.0	SFP4812C1FR	P	2.88
15.0	SFP4815C1FR	P	2.88
18.0	SFP4818C1FR	P	2.88
19.0	SFP4819C1FR	P	2.88
21.0	SFP4821C1FR	P	2.88
24.0	SFP4824C1FR	P	3.75
Round 525 Vac 90 °C Case Temperature			
16.0	SFS5216C1FR	S	2.88
26.0	SFT5226C1FR	T	3.91
32.0	SFT5232C1FR	T	3.91

Ratings - Oval Case Style

Cap. (μ F)	Catalog Part Number	Case Code	H (Inches)
Oval 280 Vac 90 °C Case Temperature			
5.0	SFA285C1FR	A	1.59
7.0	SFA287C1FR	A	1.59
10.0	SFA2810C1FR	A	2.88
12.0	SFA2812C1FR	A	2.88
14.0	SFA2814C1FR	A	2.88
17.5	SFA2817.5C1FR	C	2.88
20.0	SFS2820C1FR	C	2.88
35.0	SFC2835C1FR	C	2.88
48.0	SFC2848C1FR	C	3.88
55.0	SFC2855C1FR	C	3.88
Oval 300 Vac 90 °C Case Temperature			
10.0	SFA3010C1FR	A	2.88
12.0	SFA3012C1FR	A	2.88
14.0	SFA3014C1FR	A	2.88
16.0	SFC3016C1FR	C	2.88
20.0	SFC3020C1FR	C	2.88
Oval 330 Vac 90 °C Case Temperature			
22.5	SFC3322.5C1FR	C	2.88
24.0	SFC3324C1FR	C	2.88
26.0	SFC3326C1FR	C	2.88
28.0	SFC3328C1FR	C	2.88
30.0	SFC3330C1FR	C	2.88
Oval 400 Vac 90 °C Case Temperature			
10.0	SFA4010C1FR	A	2.88
15.0	SFC4015C1FR	C	2.88
19.5	SFC4019.5C1FR	C	2.88
20.5	SFC4020.5C1FR	C	2.88
24.0	SFC4024C1FR	C	3.38
Oval 480 Vac 90 °C Case Temperature			
12.0	SFC4812C1FR	C	2.88
15.0	SFC4815C1FR	C	2.88
18.0	SFC4818C1FR	C	2.88
19.0	SFC4819C1FR	C	2.88
21.0	SFP4821C1FR	C	2.88
24.0	SFC4824C1FR	C	3.38
Oval 525 Vac 90 °C Case Temperature			
16.0	SFC5216C1FR	C	3.88
26.0	SFD5226C1FR	D	3.88
32.0	SFD5232C1FR	D	3.88

Hardware and Brackets: See Capacitor Hardware, page 5.000.