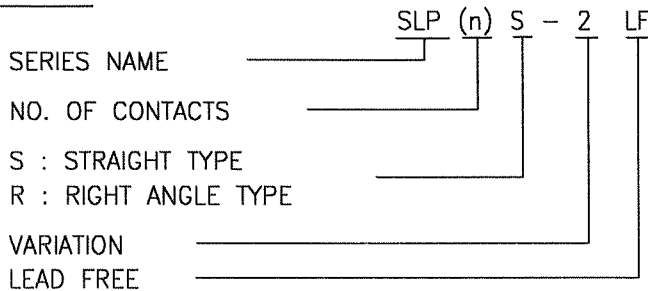


CAT. NO. & DIMENSIONS

NO. OF CONTACTS	STRAIGHT TYPE CAT. NO.	RIGHT ANGLE TYPE CAT. NO.	DIMENSIONS(NOTE1)	
			A ±0.3	B ±0.1
4	SLP 4 S - 2 LF	SLP 4 R - 2 LF	11.15	6.45
5	SLP 5 S - 2 LF	SLP 5 R - 2 LF	12.40	7.70
6	SLP 6 S - 2 LF	SLP 6 R - 2 LF	13.65	8.95
7	SLP 7 S - 2 LF	SLP 7 R - 2 LF	14.90	10.20
8	SLP 8 S - 2 LF	SLP 8 R - 2 LF	16.15	11.45
9	SLP 9 S - 2 LF	SLP 9 R - 2 LF	17.40	12.70
10	SLP 10S - 2 LF	SLP 10R - 2 LF	18.65	13.95
11	SLP 11S - 2 LF	SLP 11R - 2 LF	19.90	15.20
12	SLP 12S - 2 LF	SLP 12R - 2 LF	21.15	16.45
13	SLP 13S - 2 LF	SLP 13R - 2 LF	22.40	17.70
14	SLP 14S - 2 LF	SLP 14R - 2 LF	23.65	18.95
15	SLP 15S - 2 LF	SLP 15R - 2 LF	24.90	20.20
16	SLP 16S - 2 LF	SLP 16R - 2 LF	26.15	21.45
17	SLP 17S - 2 LF	SLP 17R - 2 LF	27.40	22.70
18	SLP 18S - 2 LF	SLP 18R - 2 LF	28.65	23.95
19	SLP 19S - 2 LF	SLP 19R - 2 LF	29.90	25.20
20	SLP 20S - 2 LF	SLP 20R - 2 LF	31.15	26.45

CAT. NO.



NOTES

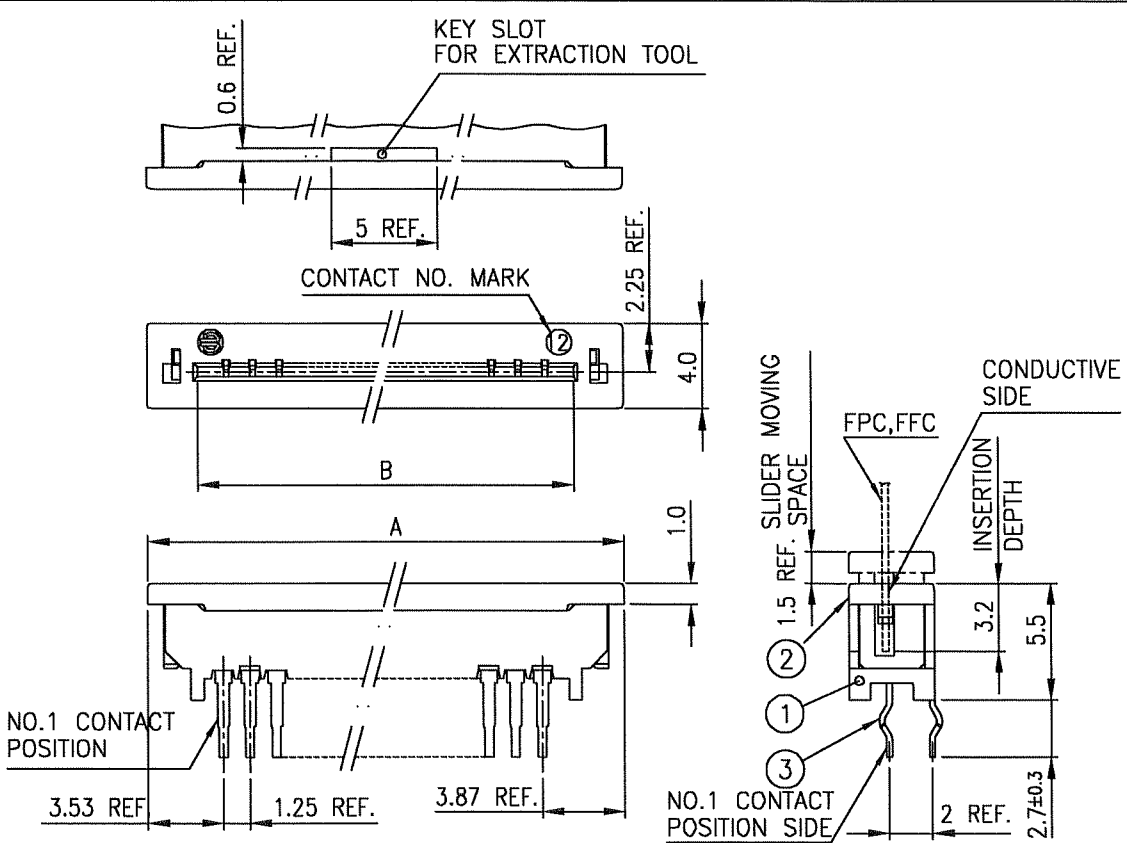
1) SEE PART DRAWINGS FOR DIMENSIONS A & B

mat'l. code				surface <input checked="" type="checkbox"/> ISO 1302 <input checked="" type="checkbox"/> ISO 406 <input checked="" type="checkbox"/> ISO 1101		tolerance		projection		product family 58KF		CODE JP	
ltr				ecn no		dr		date		tolerances unless otherwise specified		title	
A				J05-0713		H.T		10/21/05		angles		CAT.No. TABLE FOR	
B				J06-0504		H.T		11/29/06		linear		1.25mm SPACING CONNECTOR	
										mm		(Cat. No. SLP__R/S-2LF)	
										scale X		sheet 1 of 1 size	
										FCJ		A4	
										dwg no		JSA 96774	
										type		Product Customer Drawing	
sheet index		revision B		sheet 1								Rev. B	



FCIconnect.com

Copyright FCI.

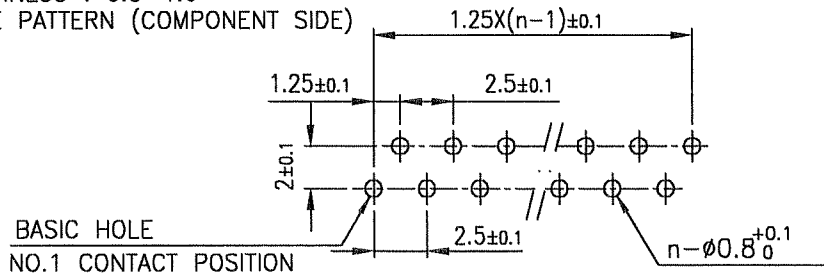


PT. NO.	PARTS NAME	MATERIAL	Q'TY	NOTE
1	HOUSING	PET RESIN GLASS REINFORCED (UL94V-0)	1	COLOR : BLACK
2	SLIDER		1	COLOR : GRAY
3	CONTACT	PHOSPHOR BRONZE	n	PLATING : TIN Ni UNDER PLATED

n : NO. OF CONTACTS

RECOMMENDED PC BOARD

THICKNESS : 0.8~1.6
HOLE PATTERN (COMPONENT SIDE)



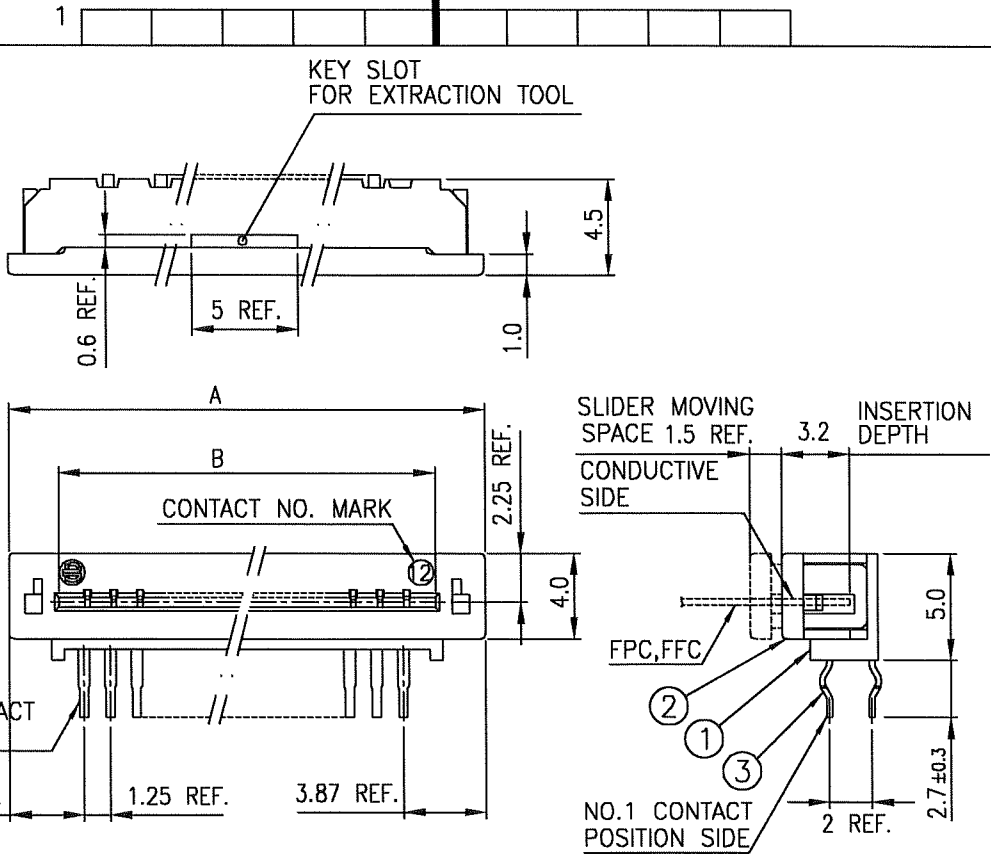
THIS PRODUCT MEETS EUROPEAN UNION DIRECTIVES AND OTHER COUNTRY REGULATIONS AS DESCRIBED IN GS-22-008.
THE HOUSING WILL WITHSTAND EXPOSURE TO 260°C PEAK TEMPERATURE FOR 10 SECONDS IN A WAVE SOLDER APPLICATION WITH A 1.6mm THICK CIRCUIT BOARD.

mat'l. code				surface ISO 1302 ✓	tolerance ISO 406 ISO 1101	projection	product family 58KF	CODE JP
ltr	ecn no	dr	date	tolerances unless otherwise specified		mm	title 1.25mm SPACING CONNECTOR (Cat. No. SLP__S-2LF)	
A	J05-0713	H.T	10/21/05	angles	±0.2			
B	J06-0504	H.T	11/29/06	linear		scale X	FCI dwg no JSA 96775 sheet 1 of 1 size A4 type Product Customer Drawing	
				dr	<i>H. Yoshitake</i> 11/29/06			
				enr	<i>H. Yoshitake</i> 11/29/06			
				chr	<i>R. Shouse</i> 11/29/06			
				appd	<i>S. Ansham</i> 12/11/06			
sheet index	revision sheet	B	1					Rev. B



FCIconnect.com

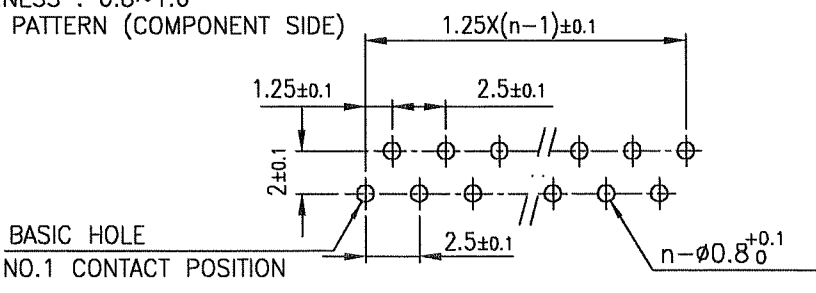
Copyright FCI.



PT. NO.	PARTS NAME	MATERIAL	Q'TY	NOTE
1	HOUSING	PET RESIN GLASS REINFORCED (UL94V-0)	1	COLOR : BLACK
2	SLIDER		1	COLOR : GRAY
3	CONTACT	PHOSPHOR BRONZE	n	PLATING : TIN Ni UNDER PLATED


RECOMMENDED PC BOARD

THICKNESS : 0.8~1.6
HOLE PATTERN (COMPONENT SIDE)



n : NO. OF CONTACTS

THIS PRODUCT MEETS EUROPEAN UNION DIRECTIVES AND OTHER COUNTRY REGULATIONS AS DESCRIBED IN GS-22-008.
THE HOUSING WILL WITHSTAND EXPOSURE TO 260°C PEAK TEMPERATURE FOR 10 SECONDS IN A WAVE SOLDER APPLICATION WITH A 1.6mm THICK CIRCUIT BOARD.

mat'l. code				surface ISO 1302 ✓		tolerance ISO 406 ISO 1101		projection mm		product family 58KF		CODE JP	
ltr	ecn no	dr	date	tolerances unless otherwise specified				mm		title 1.25mm SPACING CONNECTOR (Cat. No. SLP__R-2LF)			
A	J05-0713	H.T.	10/21/05	angles		linear		scale X		 dwg no JSA 96776 sheet 1 of 1 size A4 type Product Customer Drawing			
B	J06-0504	H.T.	11/29/06										
				dr		11/29/06							
				engr		11/29/06							
				chr		11/29/06							
				appd		12/11/06							
sheet index		revision B		sheet 1								Rev. B	

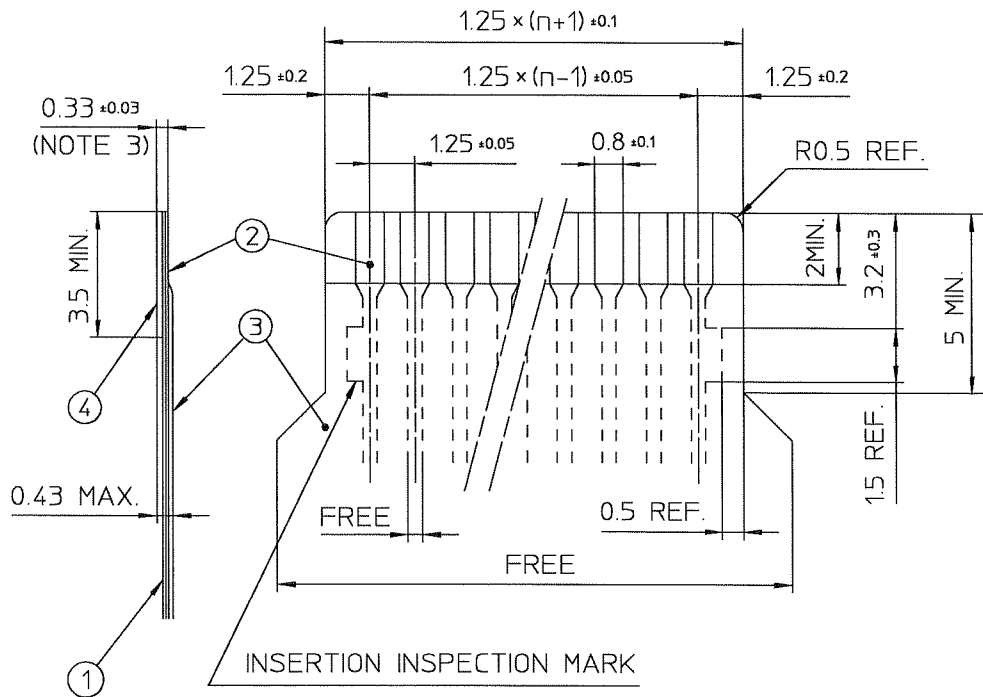


FCJconnect.com

Copyright FCI.

RECOMMENDED CABLE (FPC)

n : NO. OF CONDUCTOR



PT. NO.	PARTS NAME	MATERIAL	THICKNESS (μm)
1	BASE FILM	POLYIMIDE OR EQUAL	25
2	CONDUCTOR	COPPER FOIL (PLATING : SOLDER 1μm MIN. 12μm MAX.)	35
3	OVERLAY	POLYIMIDE OR EQUAL	—
4	SUPPORTING TAPE	POLYESTER OR POLYIMIDE OR EQUAL	188

NOTES.

1. NO BURR AT EACH PORTION.
2. NO PEELING IN COMMON USE.
3. TOTAL THICKNESS LIMIT OF EACH MATERIAL (INCLUDING ADHESIVE AGENT) IS SPECIFIED.

mat'l. code				surface ISO 1302 ✓		tolerance ISO 406 ISO 1101		projection 		product family 58KF							
ltr	ecn no	dr	date	tolerances unless otherwise specified				title RECOMMENDED CABLE (Cat. No. SLP_R/S-2_)									
3		H.T	11/29/99	angles	linear			scale X									
A	J06-0504	H.T	11/29/06					FCJ		dwg no JSA 28248							
sheet index		revision sheet	A 1	dr	<i>[Signature]</i>	11/29/06	engr	<i>[Signature]</i>	11/29/06	chr	<i>R. Shouji</i>	11/29/06	appd	<i>[Signature]</i>	12/1/06	sheet 1 of 1	size A4
										type Product Customer Drawing		Rev A					

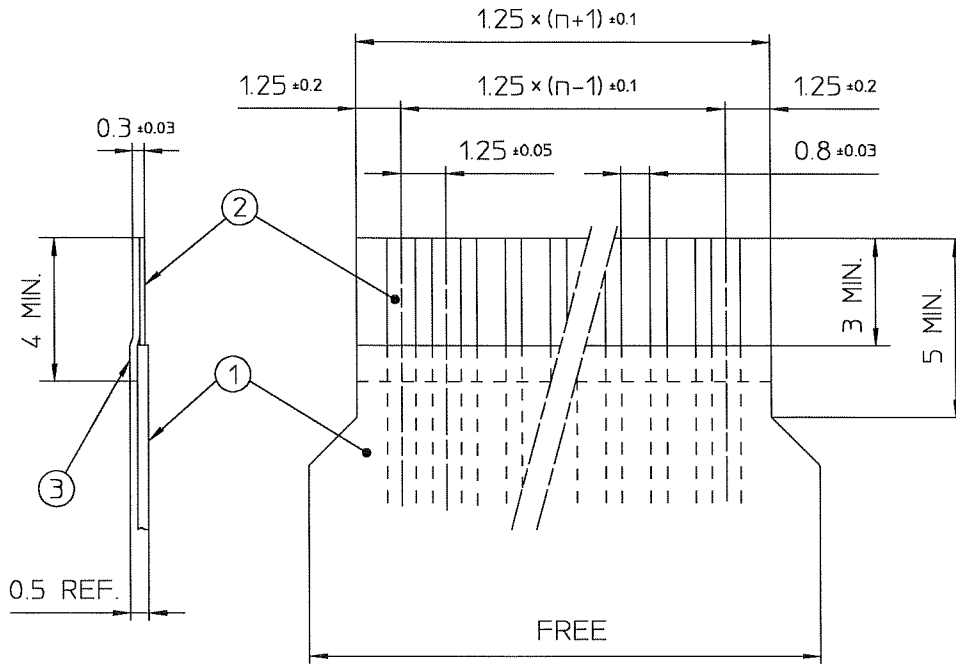


FCIconnect.com

Copyright FCI

RECOMMENDED CABLE (FFC)

n : NO. OF CONDUCTOR



PT. NO.	PARTS NAME	MATERIAL	NOTE
1	INSULATOR	FLAME RESISTING POLYESTER OR EQUAL	_____
2	CONDUCTOR	COPPER FOIL : 50 μm	PLATING : SOLDER 1 μm MIN.
3	SUPPORTING TAPE	FLAME RESISTING POLYESTER OR EQUAL	_____

NOTES.

1. NO BURR AT EACH PORTION.
2. NO PEELING IN COMMON USE.

mat'l. code				surface ISO 1302 ✓		tolerance ISO 406 ISO 1101		projection 		product family 58KF	
ltr	ecn no	dr	date	tolerances unless otherwise specified				title RECOMMENDED CABLE (Cat. No. SLP_R/S-2_)			
3	---	H.T	11/29/99	angles		linear		scale X			
A	J06-0504	H.T	11/29/06					dwg no JSA 28249			
				dr <i>H. Hattori</i> 11/29/06		engr <i>H. Hattori</i> 11/29/06		chr <i>R. Shouji</i> 11/29/06		appd <i>S. Oudans</i> 12/11/06	
sheet index		revision sheet		A		1		type Product Customer Drawing		sheet 1 of 1 size A4	



FCIconnect.com

Copyright FCI

