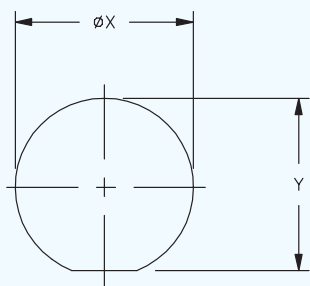
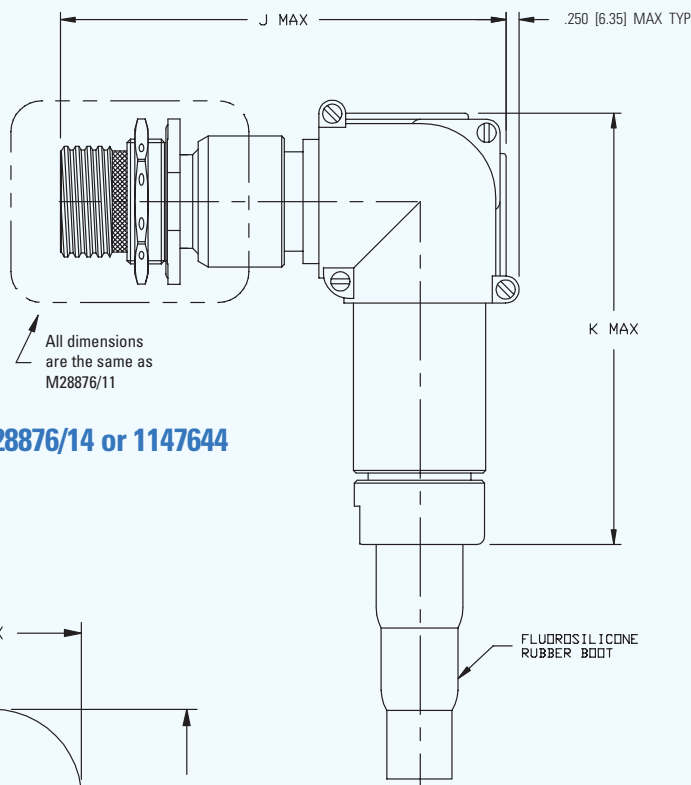
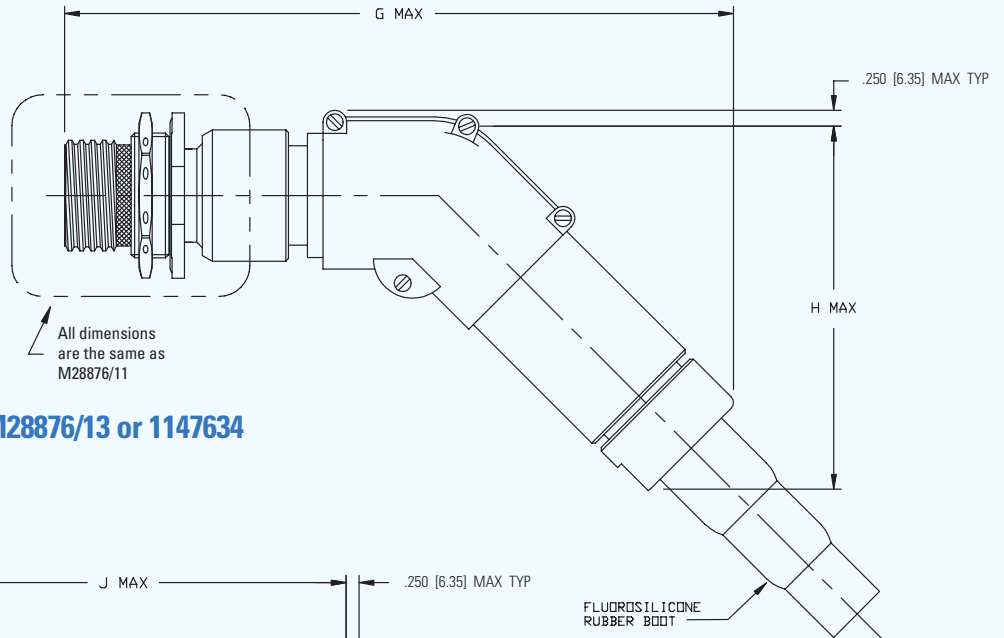


Jam Nut Receptacles



**Recommended Panel Cutout
(Jam Nut Mounting)**

Dimension Table Panel Cutout, Jam Nut Receptacles

Shell Size	ØX ±.005 [0.13]	Y ±.005 [0.13]
11	.885 [22.48]	.848 [21.54]
13	1.010 [25.65]	.973 [24.71]
15	1.198 [30.43]	1.160 [29.46]
23	1.635 [41.53]	1.598 [40.59]

Dimensions shown are for reference only. Unless otherwise specified, dimensions are in inches and [millimeters].