

# PHOTO DIODE

■ MODEL: BPD-BQ314 , BPD-GQ9F1 , BPD-FQ9E1 , BPD-RQ9CY , BPD-RQ9CY-A .

■ FEATURES

- High output and fast response
- Wide angle to receive lights
- High sensitivity in a wide range of wave length
- Peak wave length for filtered type is best match for Infrared Led
- High reliability
- Low cost

■ APPLICATIONS

- Infrared Sensor    • Strobe    • Camera    • Smoke Detector
- Remote control for T.V.,VTR,AUDIO.    • Exposuremeter

■ ELECTRICAL AND RADIANT CHARACTERISTICS ( Ta=25°C )

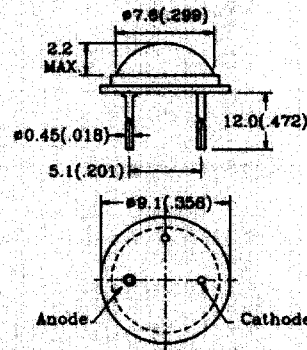
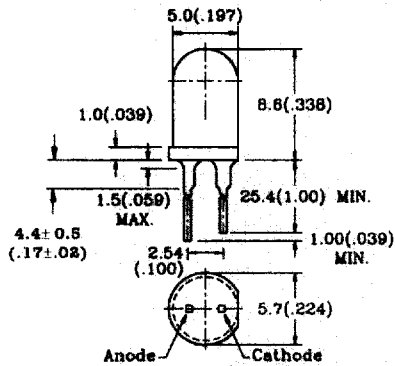
Part No.	Open Circuit Voltage	Short Circuit Current	Reverse Dark Current	Reverse Light Current	Reverse Break Down Voltage	Tr	Tf	Peak Wave Length $\lambda P$ (nm)	Viewing Angle $2\theta 1/2$ (deg)	Drawing No.
	(VOC) Typ.(mV) H=5.0mW/cm <sup>2</sup>	(ISC) Typ.( $\mu$ A) VR=5V H=0.05mW/cm <sup>2</sup>	ID(R) Max.(nA) VR=10V H=0mW/cm <sup>2</sup>	(IL) Typ.( $\mu$ A) VR=5V H=5mW/cm <sup>2</sup>	(VBR) Min.(V) IR=100 $\mu$ A H=0mW/cm <sup>2</sup>	VR=10V RL=1k $\Omega$ (ns)				
BPD-BQ314	400	2.0	30	80	30	50	50	940	30	PD-01
BPD-GQ9F1	400	2.0	30	80	30	50	50	940	15	PD-02
BPD-FQ9E1	400	2.0	30	80	30	50	50	940	140	PD-03
BPD-RQ9DY	400	2.0	30	80	30	50	50	940	140	PD-04
BPD-RQ9DY-A	400	2.0	30	80	30	50	50	940	140	PD-05

PD-01

BPD-BQ314

PD-02

BPD-GQ9F1



PD-03

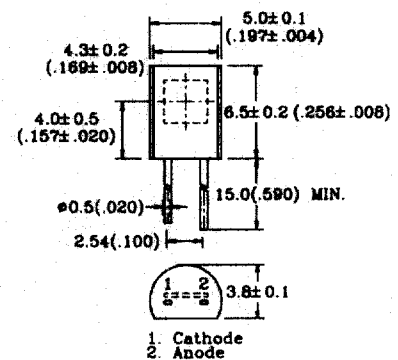
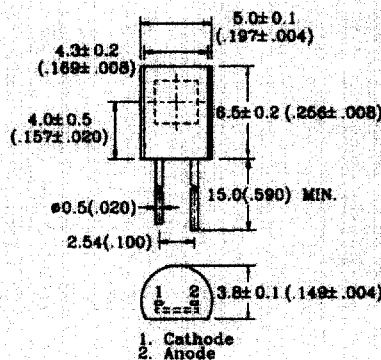
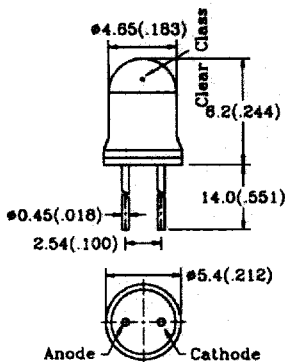
BPD-FQ9E1

PD-04

BPD-RQ9DY

PD-05

BPD-RQ9DY-A



# PHOTODIODE

## TYPICAL CHARACTERISTICS (PHOTODIODES SERIES)

