

**SPECIFICATIONS**

**Mechanical**

**Mating Force:** 0.3~3.0Kg (0.66~6.61Lb) .  
**Unmating Force:** 0.3~3.0Kg (0.66~6.61Lb).  
**Durability:** 5000 Cycles

**Electrical**

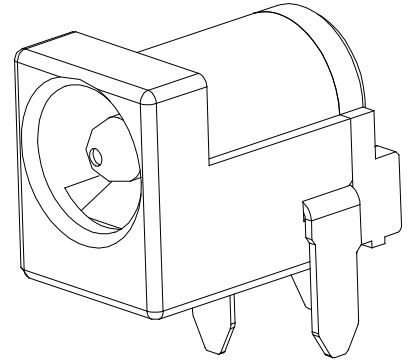
**Voltage Rating:** 30V  
**Current Rating:** 3A max.  
**Contact Resistance:** 30mΩ max. (initial)  
 60mΩ max. (after Life Test)  
**Dielectric Withstanding Voltage:** 500V AC/1min min.  
**Insulation Resistance:** 100MΩ min.

**Physical**

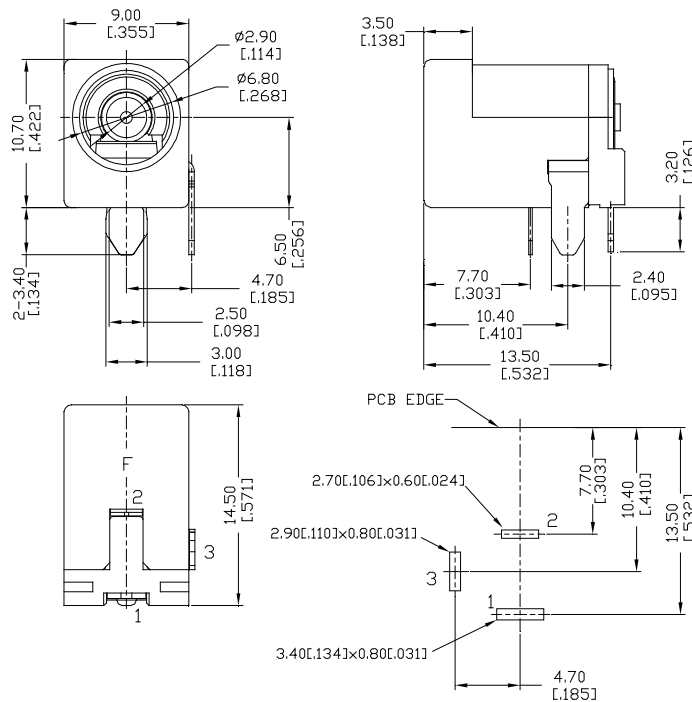
**Housing:** Thermoplastic, UL 94V-0 rated  
**Contact:** Copper alloy  
**Plating:** See "ORDERING INFORMATION"  
**Operating Temperature:** -25℃ to +70℃

**DC Power Jack Connector**

**JPD Series**  
**Right Angle, T/H**  
**3 Pos**



**DRAWING**



RECOMMENDED P.C.B LAYOUT  
 COMPONENT SIDE (TOL: ±0.05 [0.002])

**ORDERING INFORMATION**

PRODUCT NO. **J P D 1 0 3 0 - N532 - 4 F**

Jack Series	J	Power Type	P	Terminator Type	D	Contact Design Type	1	Lead Free Code	F
JP=Power Jack		D=DC		1=Right Angle T/H		0=Male		F= Lead Free	
								Package Code	4
								Modification Code	0
								Contact Area Plating	0
								No. of Pos	3
									3=3 Pos