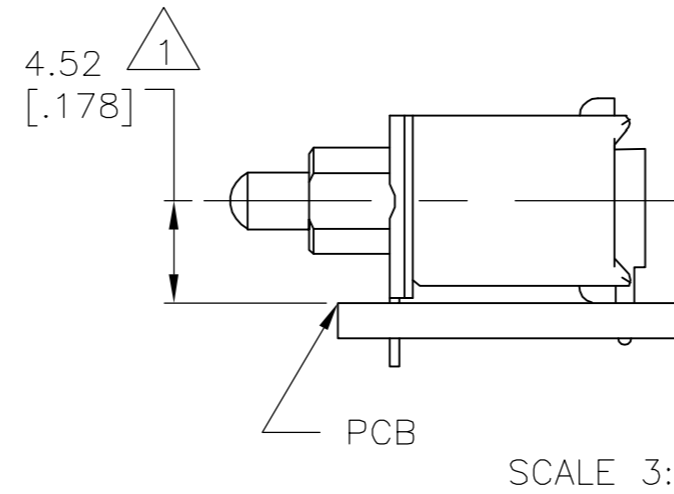
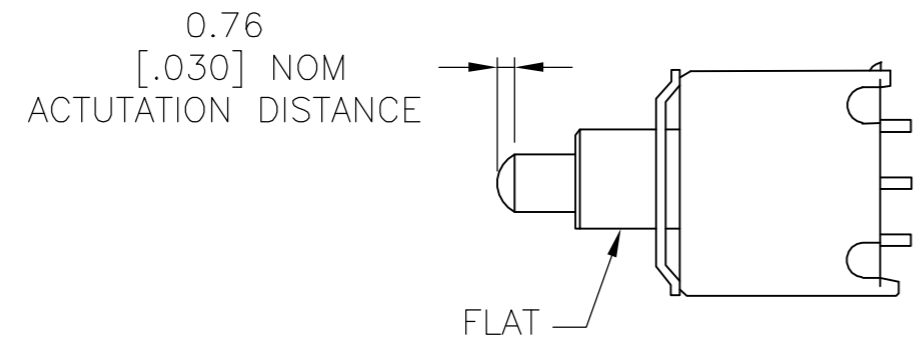


THIS DRAWING IS UNPUBLISHED. RELEASED FOR PUBLICATION
 © COPYRIGHT BY TYCO ELECTRONICS CORPORATION. ALL RIGHTS RESERVED.

LOC		DIST		REVISIONS			
P	LTR	DESCRIPTION	DATE	DWN	APVD		
AD	OO	A	ECO-06-000585	09AUG06	BSV	MZ	

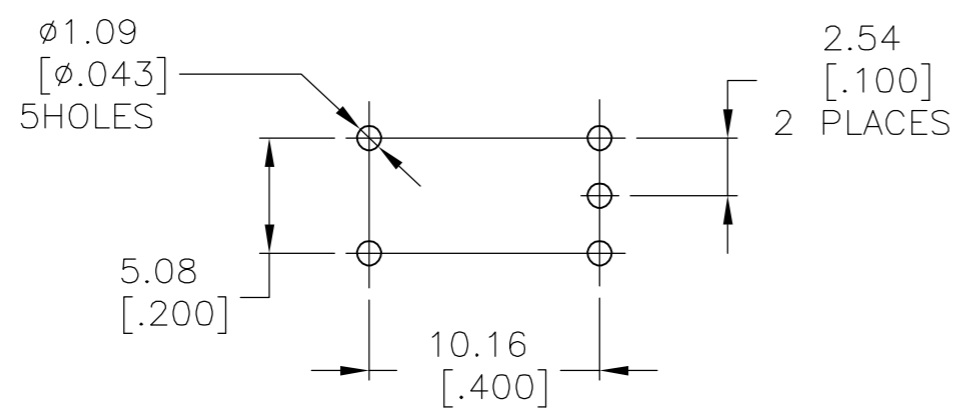
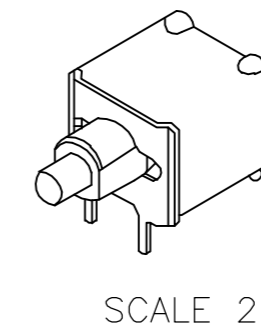
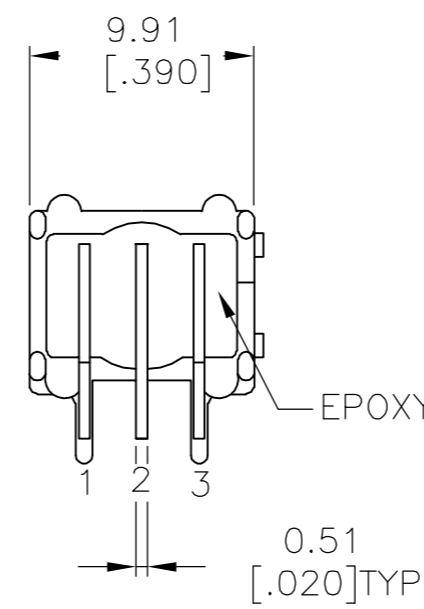
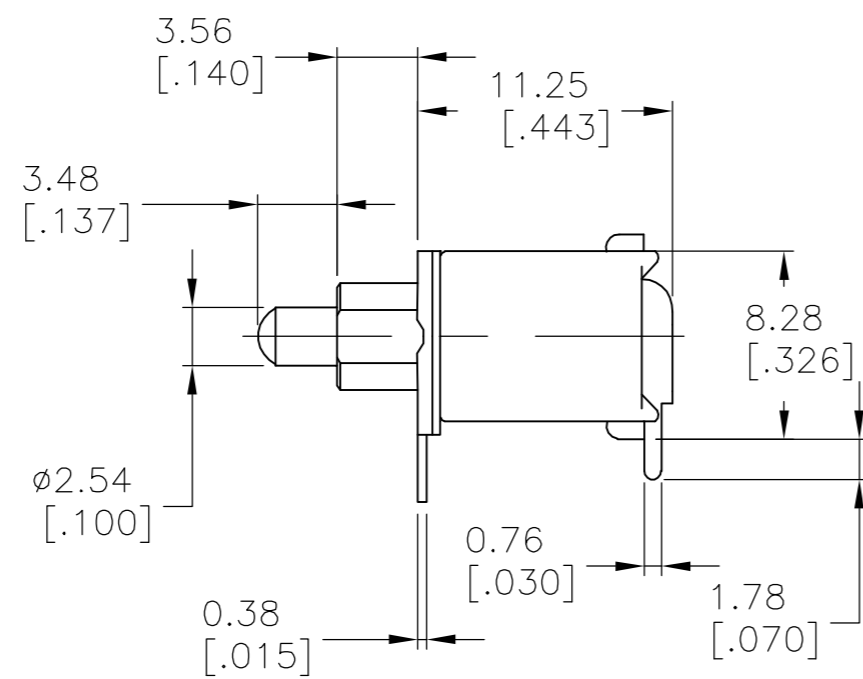
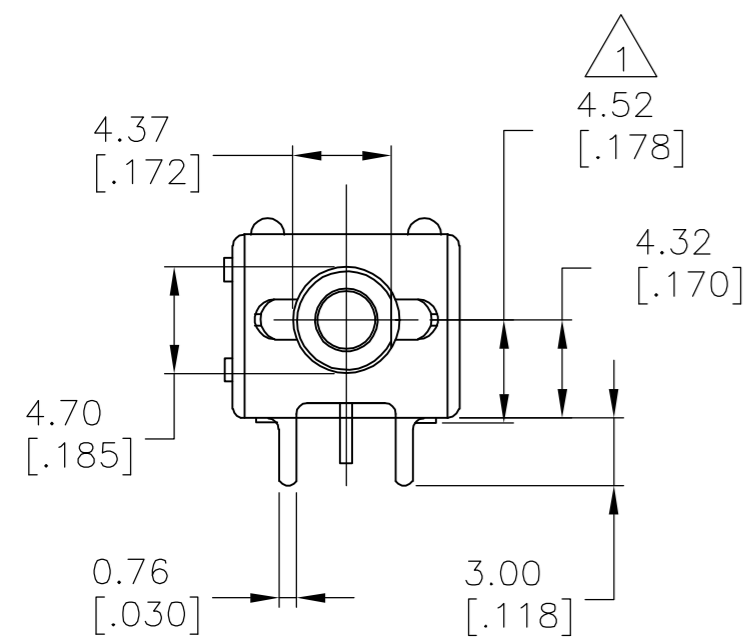


SPECIFICATIONS:

CURRENT RATING—0.4VA MAX., 20V MAX. (AC/DC).
 INITIAL CONTACT RESISTANCE—20MILLIOHMS MAX.
 @100mV & 1mA.
 VOLTAGE WITHSTANDING—1000VAC BETWEEN
 TERMINALS 1 & CASE GROUND FOR 1 MINUTE.

NOTES

△ ACTUAL DISTANCE OF CL FROM PCB WHEN MOUNTED.



PCB HOLE LAYOUT
SCALE 5:1

(*)	BUTTON COLORS AVAILABLE
(0)	BLACK
(2)	RED
(6)	BLUE

NO CENTER TERMINAL ON "C" FUNCTION SWITCH

TPB11FG-RA-ES**	2-1	2-3(MOM)
TPB11CGRA-ES**	OFF	3-1(MOM)

SWITCH MODEL	FLAT 	FLAT
--------------	----------	----------

TERMINAL CONNECTED WITH BUTTON
IN POSITION SHOWN.

NOTE: TERMINAL DESIGNATION NUMBERS
ARE FOR REFERENCE ONLY AND DO
NOT APPEAR ON SWITCHES.

THIS DRAWING IS A CONTROLLED DOCUMENT.		DWN V.J.NARTINI 05DEC80	tyco Tyco Electronics Corporation Harrisburg, Pa 17105-3608	
DIMENSIONS: mm [INCHES]		CHK R.D 08DEC80	NAME PUSHBUTTON SWITCH (TPB11 *G-RA-ES*)	
TOLERANCES UNLESS OTHERWISE SPECIFIED: 0 PLC ± - 1 PLC ± - 2 PLC ± - 3 PLC ± .01 4 PLC ± - ANGLES ± 1°		APVD -	PRODUCT SPEC -	APPLICATION SPEC -
MATERIAL -	FINISH -	WEIGHT -	SIZE A2	CAGE CODE 00779
CUSTOMER DRAWING			DRAWING NO C=6-1437571-2	RESTRICTED TO -
			SCALE 3:1	SHEET 1 OF 1
			REV A	

6-1437571-2