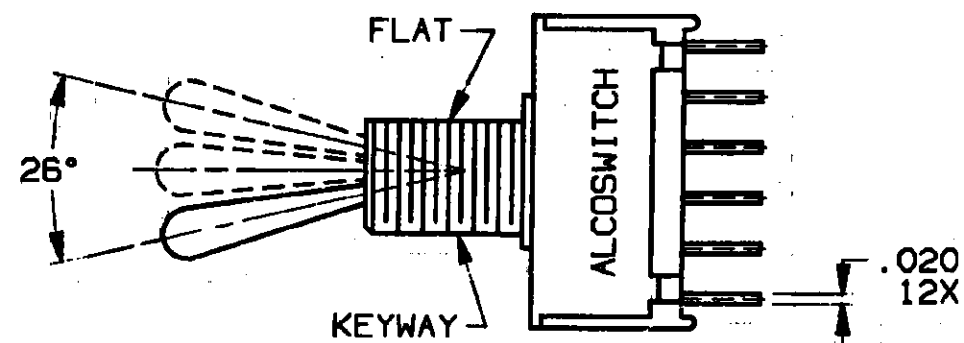


CONVERSION CHART			
INCH	MM	INCH	MM
.002	0.05	.590	14.99
.010	0.25	.600	15.24
.020	0.51	.620	15.75



SPECIFICATIONS:

MATERIALS:
CASE: THERMOPLASTIC 94V-0.
FRAME: STEEL, TIN PLATED.
ACTUATOR: COPPER ALLOY, NICKEL PLATED.
MOVING CONTACT: COPPER ALLOY, GOLD OVER NICKEL PLATE.
FIXED CONTACT/TERMINAL: COPPER ALLOY, TIN/LEAD PLATE.
TERMINAL SEAL: OPTIONAL.

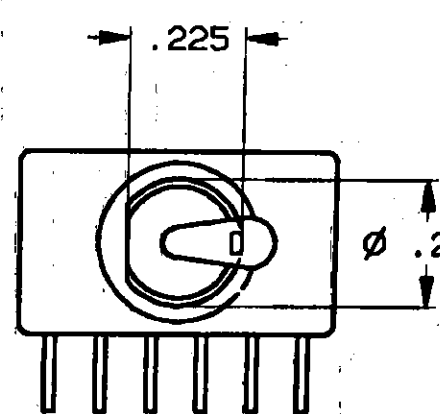
ELECTRICAL:
CONTACT RATING: 0.4 VA MAX. @ 20 VDC OR PEAK AC.
INITIAL CONTACT RESISTANCE: 20 MILLIOHMS MAX.
INSULATION RESISTANCE: 1,000 MEGOHMS @ 500 VDC MIN.
DIELECTRIC STRENGTH: 1,000 VOLTS RMS @ SEA LEVEL.
LIFE EXPECTANCY: 80,000 CYCLES (2 POS.)
60,000 CYCLES (3 POS.).

MECHANICAL:
ACTUATION TRAVEL: 26°.

ENVIRONMENTAL:
OPERATING TEMPERATURE: -22°F TO +185°F (-30°C TO +85°C).
STORAGE TEMPERATURE: -67°F TO +185°F (-55°C TO +85°C).

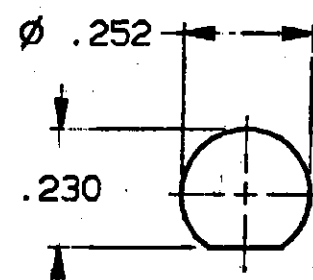
NOTES:

- INTERPRET DRAWING PER ANSI Y14.5M-1982.
- MOUNTING HARDWARE SUPPLIED: (2) HEX NUTS AND (1) LOCKWASHER.

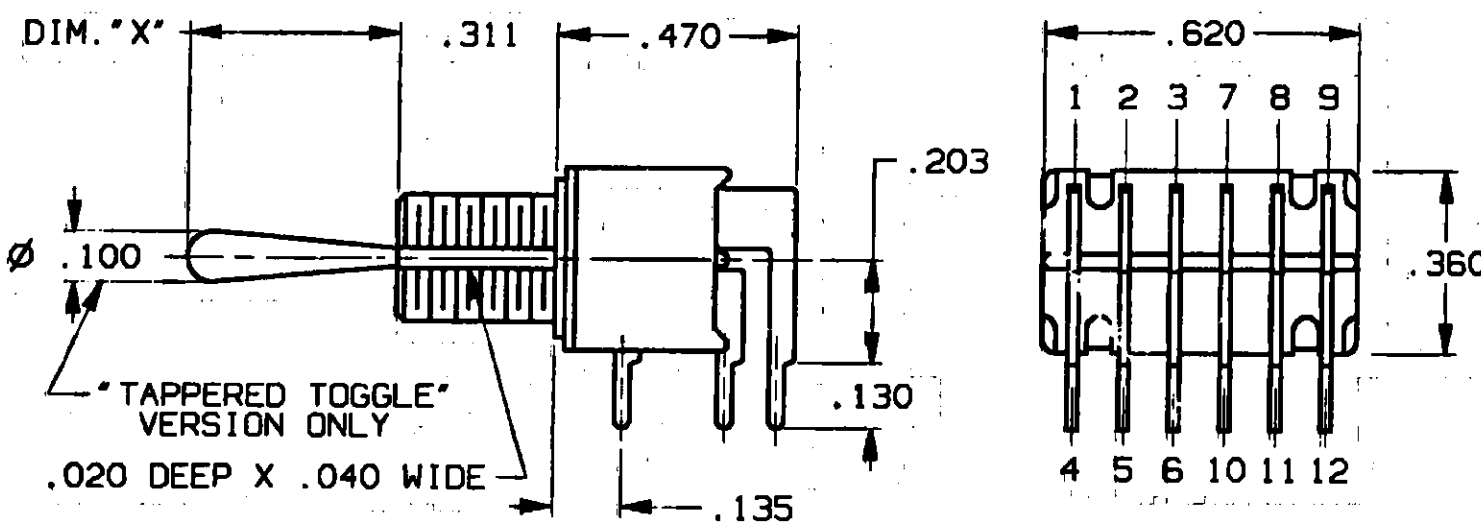


RECOMMENDED HOLE LAYOUT

TOLERANCE ±.002 UNLESS OTHERWISE NOTED



RECOMMENDED PANEL CUTOUT



TERMINALS CONNECTED WHEN TOGGLE IN POSITIONS SHOWN.			
SWITCH ACTION CODE (*)	FLAT	FLAT	FLAT
N	2 TO 3 5 TO 6 8 TO 9 11 TO 12	NONE	2 TO 1 5 TO 4 8 TO 7 11 TO 10
P	2 TO 3 5 TO 6 8 TO 9 11 TO 12	OFF	2 TO 1 5 TO 4 8 TO 7 11 TO 10
R	2 TO 3 5 TO 6 (MOM) 8 TO 9 11 TO 12	NONE	2 TO 1 5 TO 4 8 TO 7 11 TO 10
PA	2 TO 3 5 TO 6 8 TO 9 11 TO 12	2 TO 3 5 TO 6 8 TO 7 11 TO 10	2 TO 1 5 TO 4 8 TO 7 11 TO 10

NOTE:
DESIGNATION NUMBERS ARE FOR REFERENCE ONLY AND DO NOT APPEAR ON THE SWITCHES.

ACTUATOR NUMBER (X)	DIMENSION "X" ACTUATOR LENGTH	TOGGLE DESCRIPTION
1	.210	TAPERED TOGGLE
2	.290	TAPERED TOGGLE
3	.370	TAPERED TOGGLE
4	.280	BALL END TOGGLE
5	.600	TAPERED PADDLE
6	.590	ROUND TOGGLE
7	.485	FLAT PADDLE
8	.530	KNURLED TOGGLE
9	.415	TAPERED TOGGLE

CUSTOMER DRAWING
SPECIFICATIONS ARE SUBJECT TO CHANGES WITHOUT NOTICE

AUGAT D/N 40309

REV	B
REVISIONS	OG3C-0194-05 MZ 28MAR07

TOLERANCES (EXCEPT AS NOTED)		UNLESS OTHERWISE SPECIFIED DIMENSIONS ARE IN INCHES DO NOT SCALE PRINT		ORIGINAL DATE OF DRAWING: 10-2-96		TYCO ELECTRONICS	
ANGULAR = ±		PROJECT:		DRAWN:	S. KIRCORIAN	DATE:	10-2-96
DECIMAL .XX = ±		MATERIAL:	SEE SPECIFICATIONS	CHECKED:		DATE:	
DECIMAL .XXX = ±.010		FINISH:	SEE SPECIFICATIONS	APPROVED:		DATE:	
DECIMAL .XXXX = ±				COL. IDENT. NO.	91506	DWG. SIZE	C
				DWG. NO.	7-1437562-0	REV.	B
				PRODUCT CODE:	ASI		

TITLE: CUSTOMER DRAWING SWITCH, TINY TOGGLE SERIES, 4 POLE RA (TT41(*)G-RA(X)T1/4)