



INCANDESCENT LAMP #	PowerLine® PART # STANDARD	PowerLine® PART # WITH SHUNT RESISTOR	APPLIED VOLTAGE	MAXIMUM VOLTAGE	BI-POLAR	FIG #
6PSB	6PSBL-X1	6PSBLS-X1	6AC/DC	7	✓	1
24PSB	24PSBL-X1	24PSBLS-X1	24AC/DC	26	✓	1
28PSB	28PSBL-X1	28PSBLS-X1	28AC/DC	30	✓	1
48PSB	48PSBL-X1	48PSBLS-X1	48AC/DC	52	✓	1
48X	48L2-X1	48LS2-X1	48DC	52		2
	48L4-X1	48LS4-X1	48AC/DC	52	✓	2
55C2	55CL2-X1	55CLS2-X1	55AC/DC	60	✓	2

LED COLOR CODE	EMITTED COLOR	Used to illuminate the following lenses							
		Red	Orange	Amber	Yellow	Green	Blue	White	Clear
-R1	Red	*						*	*
-O1	Orange		*	*				*	*
-A1	Amber			*	*			*	*
-G1	Green					*		*	*
-B1	Blue						*	*	*
-W1	White							*	*

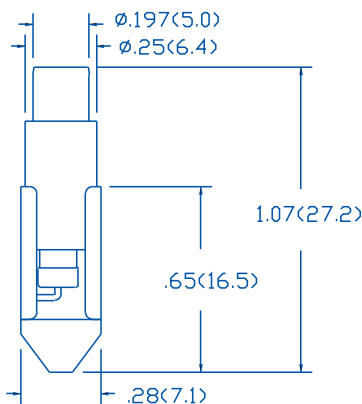


Figure 1  
Slide Base #5

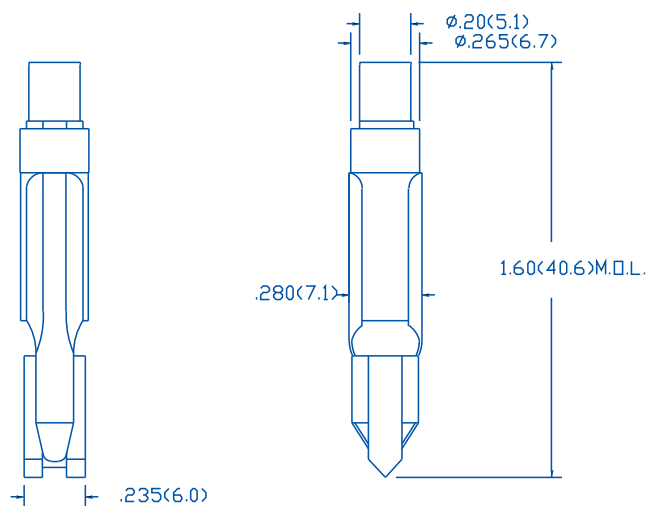


Figure 2  
Slide Base #3

All dimensions are in inches (mm) Tolerances: .xx"(x) ±0.25"(.63)/ .xxx"(xx)±.010"(.25) Specifications are subject to change without notice.