

# UNDER DEVELOPMENT

**Type: CDEP1010**

### Product Description

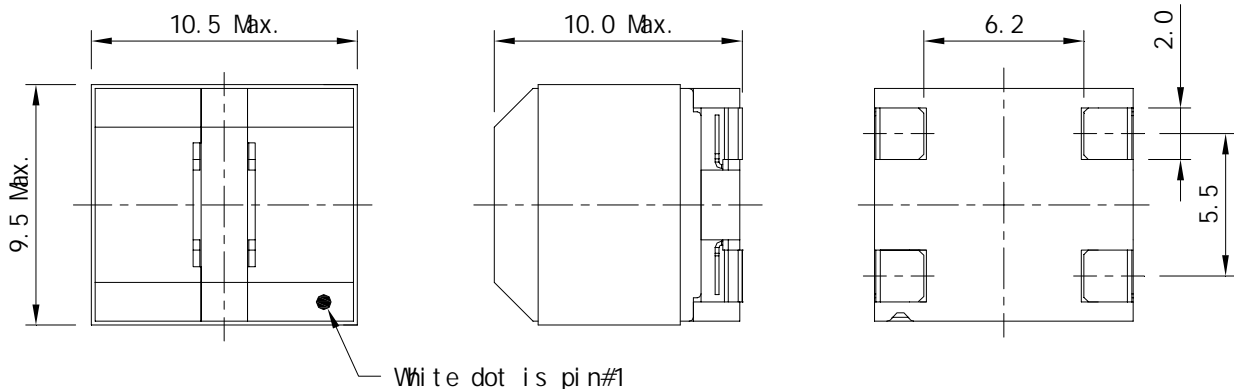
- 10.5 × 9.3mm Max. (L × W), 10.0mm Max. height
- Inductance range: : 10 μH ~ 22 μH; Rated Current Range: 2.8 ~ 4.0A



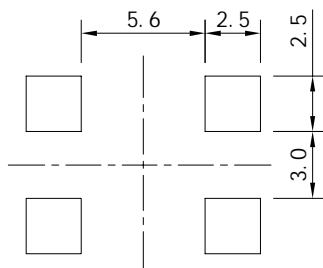
### Feature

- Mn-Zn core used , High DC saturation current. High efficiency, Low heat generation..
- Dual inductors in one product.
- Ideally used in D Class Amplifiers.
- RoHS Compliance

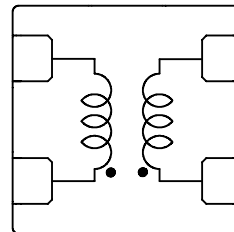
### Dimensions (mm)



### Land Pattern (mm)



### Schematics (Bottom)

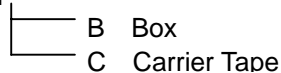


### Specification

Part Name	Stamp	Inductance [ Within ] 1kHz/1V 1-2 Or 4-3	D.C.R.(m Ω) Max.(Typ.) (at 20 °C) 1-2 Or 4-3	Saturation Current (A) 1	Temperature Rise current (A) 2
CDEP1010NP-100M	100	10 μH ± 20%	26.3(21.0)	5.6	4.0
CDEP1010NP-120M	120	12 μH ± 20%	28.8(23.0)	4.9	3.9
CDEP1010NP-150M	150	15 μH ± 20%	40.0(32.0)	4.5	3.1
CDEP1010NP-220M	220	22 μH ± 20%	45.0(36.0)	4.2	2.8

### Description of part name

CDEP1010NP-100M



1. Saturation current: The DC current at which the inductance decreases to 75% of it's nominal value. (Ta = 20 °C)
- 2 Temperature rise current: The DC current at which the temperature rise is Δt = 40 °C. (Ta = 20 °C)