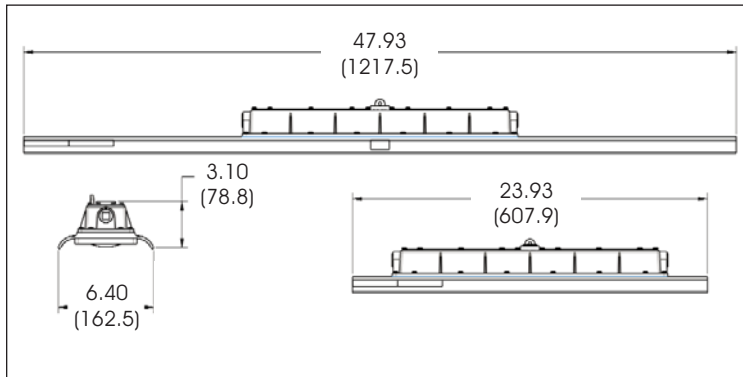




SafeSite® LED Linear Fixture Class I, Div. 2 Version



Certifications

- UL 1598
- UL 1598A
- CSA 22.2 No.137-M81
- UL 844
- IP66
- NEMA 4X

Features & Benefits

- 5 year full performance warranty
- Instant on/off operation
- Resistant to water, salt, dust & vibration
- Vibration tested to UL 844 for 35 hours @ 2,000 CPM
- Resistant up to 20 PSI of hose directed water
- Universal input (100-277 VAC), 50/60Hz
- Superior color rendition index compared to HPS, LPS, MV
- Mercury Free
- Temperature compensation technology for longer life
- L70 rated for >100,000 hours @ 25°C

Ordering Codes

Part Number	Length	Fixture Lumens	Class I, Div 2	Class II, Div 1	Class II, Div 2	Class III, Div 1	Class III, Div 2
LSD3C4D2P	2'	3,500	A / B / C / D		E / F / G		
LSD3C4M2P	4'	7,000	A / B / C / D		E / F / G		
LSF3C4D2P	2'	3,500	A / B / C / D	E / F / G	F / G	•	•
LSF3C4M2P	4'	7,000	A / B / C / D	E / F / G	F / G	•	•

Mounting Accessory

Part Number	Description
LSXW4	Swivel bracket Can be angled at 0°, 45° & 90°
LSXENDCAPKIT	Chain mount brackets

Application

The first of its kind, Dialight's SafeSite® LED linear fixture replaces fluorescent lighting fixtures in industrial applications, hazardous locations & transit applications.

The SafeSite LED Linear fixture's rugged solid state design makes it highly resistant to shock and vibration. Its fully gasketed IP 66 rated enclosure makes it suitable for dust & wet locations, its 1598A rating guarantees added protection from salt water spray. The SafeSite LED Linear's superior design allows for mounting versatility and ease of installation for many lighting applications.

Mechanical Information

Fixture Weight:	17 lbs (7.71 kg) 4'
	12 lbs (5.44 kg) 2'
Shipping Weight:	19 lbs (8.62 kg) 4'
	14 lbs (6.35 kg) 2'
Mounting:	(3) 3/4" NPT openings Optional swivel bracket - LSXW4

Electrical Specifications

Operating Voltage:	100-277VAC, 50/60 Hz
Power Consumption:	100W 4' version 50W 2' version
Operating Temp:	-40°F to +133°F (-40°C to +55°C)
Harmonics:	EC 61000-3-2
Surge Protection:	1 kV line to line 2 kV line to ground
THD:	< 15%
Power Factor:	> 0.95

Power supply equipped with inline fuse

Construction

Body:	Powder Coated Aluminum
Lens:	Polycarbonate

Photometric Information

CRI:	> 70
CCT:	5,000K (cool white)
IES Files:	Available upon request

All values typical unless otherwise stated

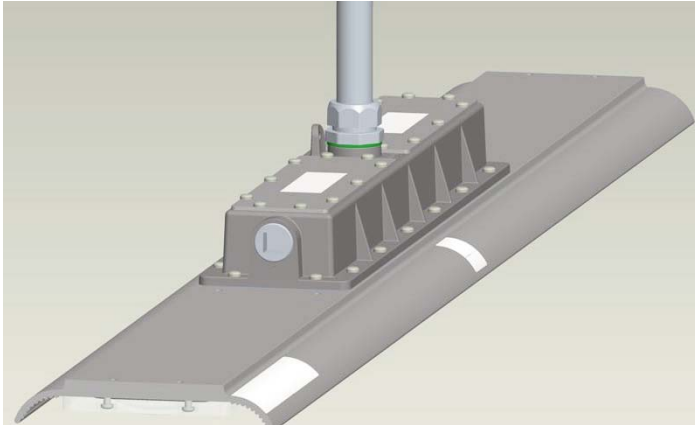
Temperature Ratings
Ambient Temperature Range T5 Temperature Code
-40°F to +149°F (-40°C to +65°C)



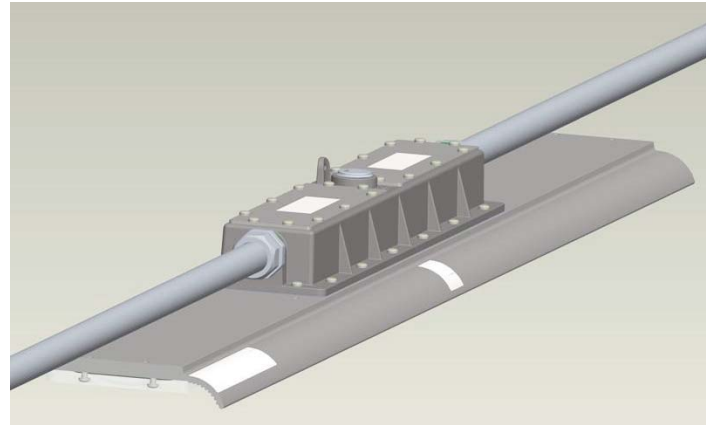
SafeSite® LED Linear Fixture

Mounting Options

Conduit Top Mount

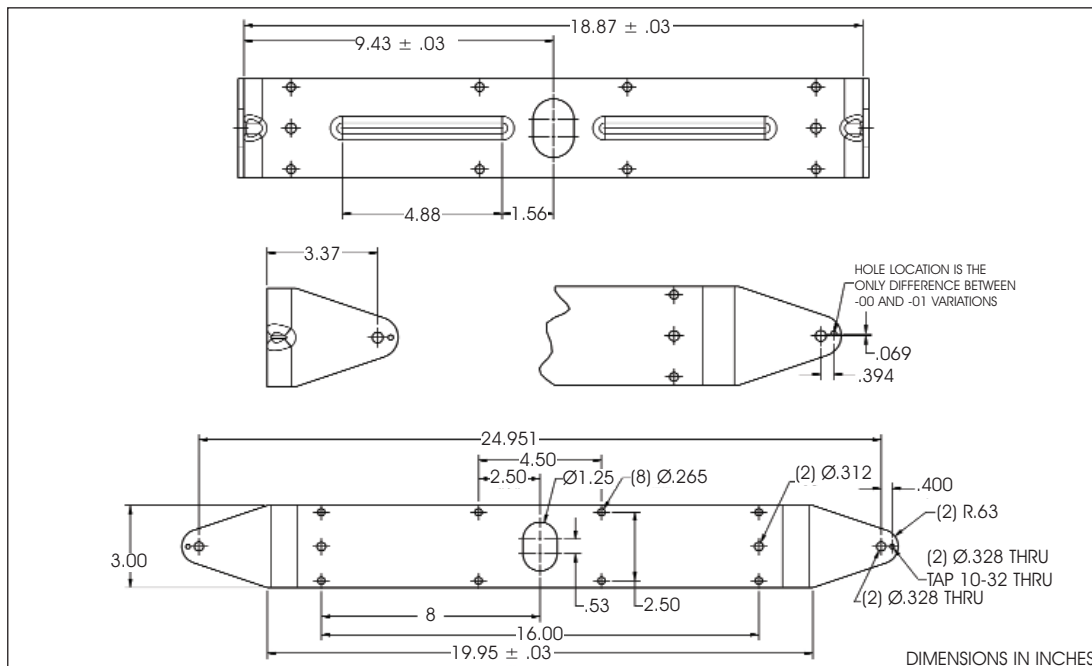
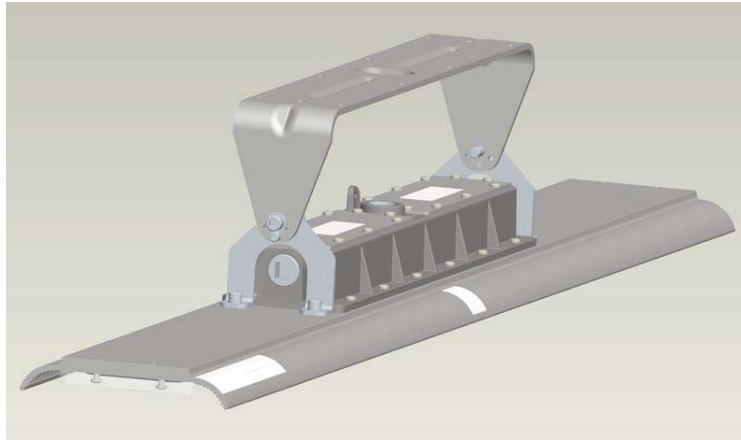


Conduit Side Mount



Mounting Accessory

LSXW4 Mounting bracket



Dialight reserves the right to make changes at any time in order to supply the best product possible.

The most current version of this document will always be available at:

www.dialight.com/Assets/Brochures_And_Catalogs/Illumination/MDTFSFSTLX001.pdf

MDTFSFSHZLD2X001_E