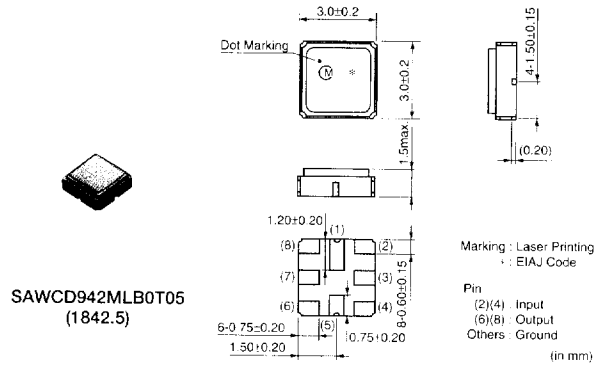


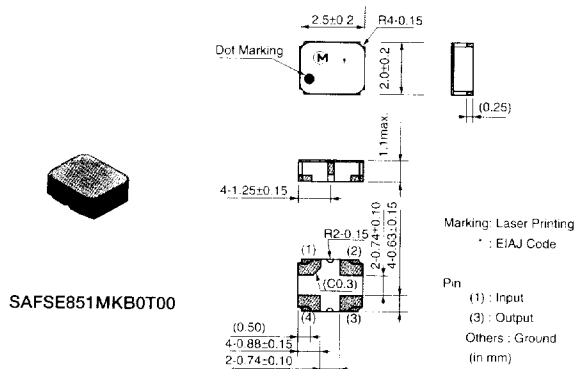
Filters for Communication Equipment

● GSM/DCS Dual-band



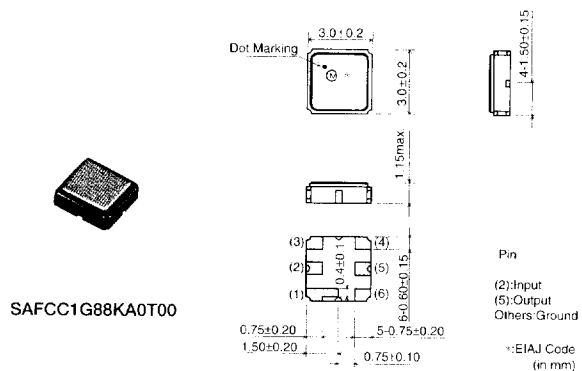
| Part Number | Center Frequency (MHz) | Insertion Loss(dB min.) (dB) | Ripple(dB max.) | VSWR | Input/Output Impedance |
|-------------------------|------------------------|------------------------------|----------------------|----------------------|------------------------|
| SAWCD942MLB0T05(1842.5) | 1842.5 | 3.2 max.(1805MHz~1880MHz) | 2.2(1805MHz~1880MHz) | 2.5(1805MHz~1880MHz) | 50ohm |
| SAWCD942MLB0T05(942.5) | 942.5 | 3.0 max.(925MHz~960MHz) | 2.5(925MHz~960MHz) | 2.5(925MHz~960MHz) | 50ohm |

● J-CDMA



| Part Number | Center Frequency (MHz) | Insertion Loss(dB min.) (dB) | Ripple(dB max.) | VSWR | Input/Output Impedance |
|-----------------|------------------------|------------------------------|--------------------|--------------------|------------------------|
| SAFCC906MKA0T00 | 906 | 4.5 max.(887MHz~925MHz) | 2.8(887MHz~925MHz) | 2.8(887MHz~925MHz) | 50ohm |
| SAFSE851MKB0T00 | 851 | 3.4 max.(832MHz~870MHz) | 2.5(832MHz~870MHz) | 2.2(832MHz~870MHz) | 50ohm |

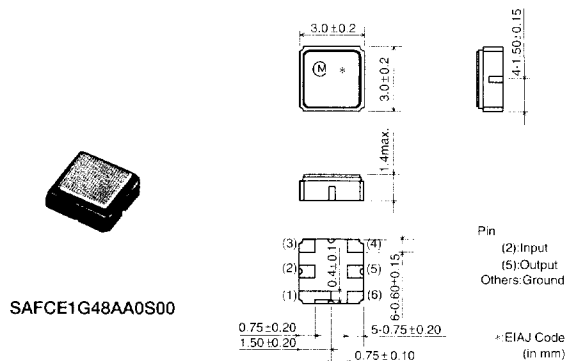
● PCS(CDMA)



Filters for Communication Equipment

| Part Number | Center Frequency (MHz) | Insertion Loss(dB min.) (dB) | Ripple(dB max.) | VSWR | Input/Output Impedance |
|-------------------------|------------------------|------------------------------|----------------------|----------------------|------------------------|
| SAFCC1G88KA0T00 | 1880 | 4.5 max.(1850MHz~1910MHz) | 3.0(1850MHz~1910MHz) | 2.5(1850MHz~1910MHz) | 50ohm |
| SAFCC1G96KA0T00 | 1960 | 4.5 max.(1930MHz~1990MHz) | 3.0(1930MHz~1990MHz) | 2.5(1930MHz~1990MHz) | 50ohm |
| SAWCD1G86LA0T00(1867.5) | 1867.5 | 3.2 max.(1850MHz~1885MHz) | 2.0(1850MHz~1885MHz) | 2.0(1850MHz~1885MHz) | 50ohm |
| SAWCD1G86LA0T00(1897.5) | 1897.5 | 3.2 max.(1885MHz~1910MHz) | 2.0(1885MHz~1910MHz) | 2.0(1885MHz~1910MHz) | 50ohm |

● PDC



SAFCE1G48AA0S00

| Part Number | Center Frequency (MHz) | Insertion Loss(dB min.) (dB) | Ripple(dB max.) | VSWR | Input/Output Impedance |
|------------------------|------------------------|---|---|---|------------------------|
| SAFCE1G48AA0S00 | 1489.0 | 2.0 max.(1477MHz~1501MHz) | 1.2(1477MHz~1501MHz) | 2.7(1477MHz~1501MHz) | 50ohm |
| SAFCE820MAA0N00 | 820.0 | 2.5 max.(810MHz~830MHz) | 1.5(810MHz~830MHz) | 2.5(810MHz~830MHz) | 50ohm |
| SAFCE820MAB0T00 | 820.0 | 2.2 max.(810MHz~830MHz) | 1.3(810MHz~830MHz) | 2.5(810MHz~830MHz) | 50ohm |
| SAFCE950MAL0N00 | 950.0 | 3.8 max.(940MHz~960MHz) | 1.7(940MHz~960MHz) | 2.3(940MHz~960MHz) | 50ohm |
| SAFCE950MAM0T00 | 950.0 | 3.5 max.(940MHz~960MHz) | 1.5(940MHz~960MHz) | 2.5(940MHz~960MHz) | 50ohm |
| SAFSF1G44AA0T00 | 1441 | 2.7 max.(1429MHz~1453MHz) | 1.5(1429MHz~1453MHz) | 2.3(1429MHz~1453MHz) | 50ohm |
| SAFSF1G48AB0T00 | 1489 | 2.7 max.(1477MHz~1501MHz) | 1.5(1477MHz~1501MHz) | 2.3(1477MHz~1501MHz) | 50ohm |
| SAFSF1G48AC0T00 | 1489 | 2.5 max.(1477MHz~1501MHz) | 1.5(1477MHz~1501MHz) | 2.3(1477MHz~1501MHz) | 50ohm |
| SAWSG895MAD0T00(895.5) | 895.5 | 3.8 max.(893MHz~898MHz) | 2.3(893MHz~898MHz) | 2.5(893MHz~898MHz) | 50ohm |
| SAWSG895MAD0T00(942.5) | 942.5 | 3.5 max.(925MHz~960MHz) | 2.5(925MHz~960MHz) | 3.2(925MHz~960MHz) | 50ohm |
| SAWSL826MBM0T00 | 826.5 (877.5MHz) | 3.7 max.(810~843MHz), 4.2dB max.(870~885MHz) | 2.6(810MHz~843MHz), 2.3(870MHz~885MHz) | 2.5(810MHz~843MHz), 2.5(870MHz~885MHz) | 50ohm |