

REV.	REVISION CHANGES
X0	AS DRAWN
A0	ADDED 50uIN GOLD PART NUMBER

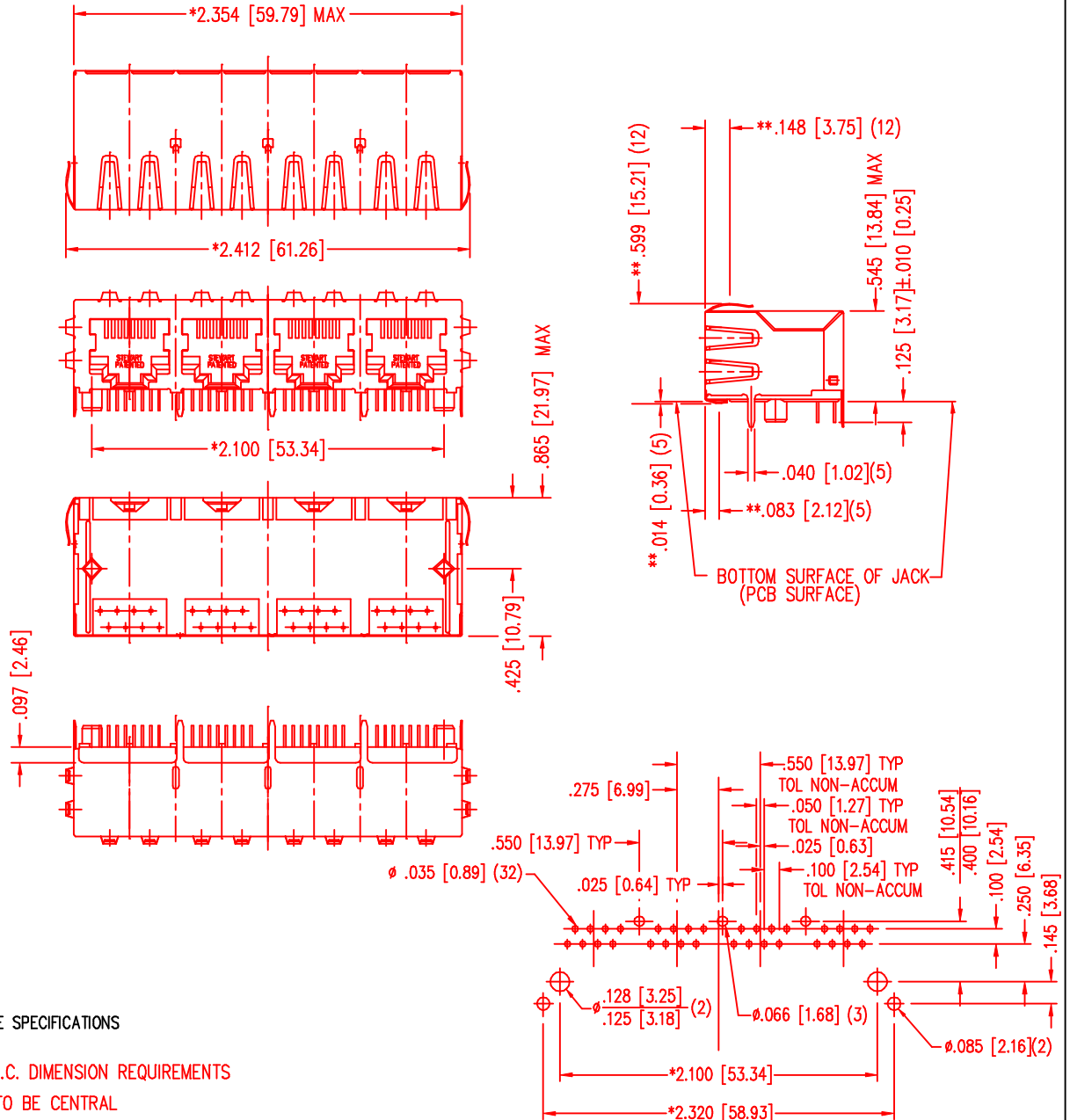
PART NO. SS-718804S-A-PG4-BC (30uIN GOLD)
 PART NO. SS-718804S-A-PG4-BC-50 (50uIN GOLD)

CAT 5 JACK

EMI-RFI ONE PIECE SHIELDED, ESD GROUNDED
 4 PORT PCB HARMONICA JACK PAC

"-BC" DESIGNATES REAR SOLDER TAILS OFFSET .025 AND THE INCLUSION
 OF ALL TOP AND BOTTOM PANEL GROUNDS AND SIDE SOLDER TAILS

"-PG4" DESIGNATES INCLUSION OF ALL SIDE PANEL GROUNDS



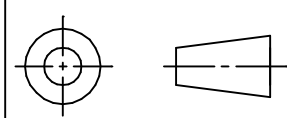
- NOTES:
- MEETS CATEGORY 5 PERFORMANCE SPECIFICATIONS AS TESTED PER TIA/EIA 568A.
 - TOLERANCES COMPLY WITH F.C.C. DIMENSION REQUIREMENTS
 - DIMENSIONS SHOWN WITH "*" TO BE CENTRAL ABOUT CENTER LINE
 - "*" ON DIMENSION INDICATES HIGHEST POINT OF BEAM
 - DIMENSIONS SHOWN ARE SUBJECT TO CHANGE WITHOUT NOTICE

AVAILABLE WITH:

- LOADED 1 - 8 CONTACTS

CT710071

THIRD ANGLE PROJECTION



THIS DRAWING AND THE SUBJECT MATTER SHOWN THEREON ARE CONFIDENTIAL AND THE PROPRIETARY PROPERTY OF STEWART CONNECTOR ("SCS") AND SHALL NOT BE REPRODUCED, COPIED OR USED IN ANY MANNER WITHOUT PRIOR WRITTEN CONSENT OF "SCS". THE SUBJECT MATTER MAY BE PATENTED OR A PATENT MAY BE PENDING. © SCS

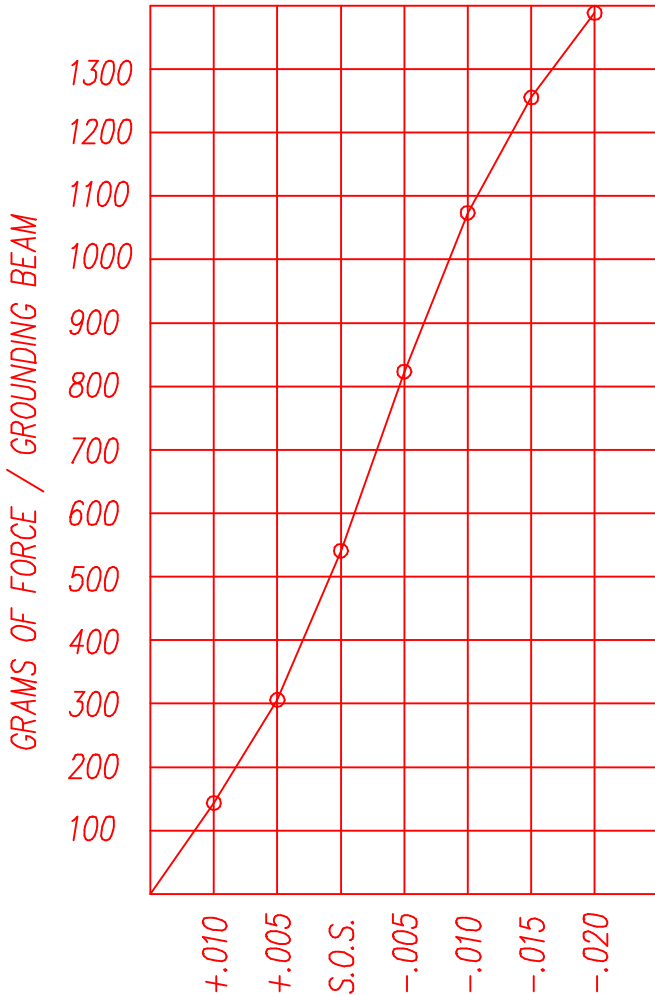
P.C.B. RECOMMENDED HOLE LAYOUT
 SEEN FROM COMPONENT SIDE
 TOLERANCE $\pm .003 [0.08]$ UNLESS OTHERWISE SPECIFIED

Stewart Connector

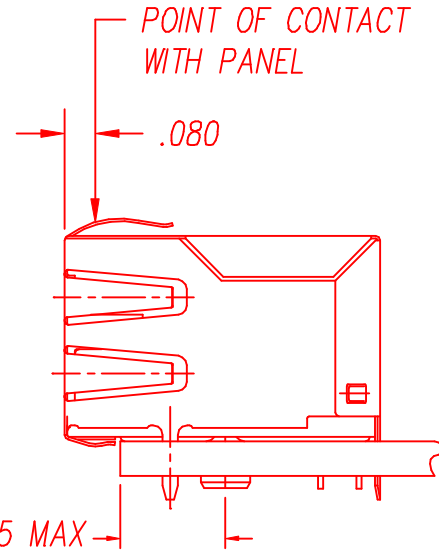
11118 Susquehanna Trail South
 Glen Rock, PA 17327-9199
 (717) 235-7512 Fax: (717) 235-7954

REV.	REVISION CHANGES
X0	AS DRAWN
A0	ADDED 50uIN GOLD PART NUMBER

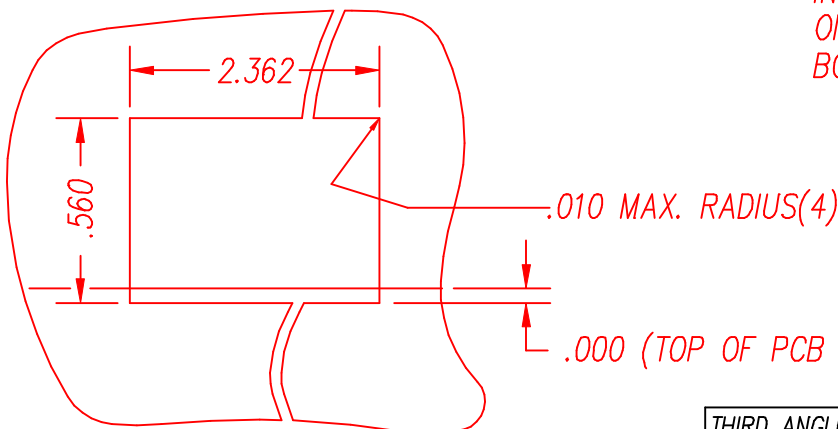
PART NO. SS-718804S-A-PG4-BC (30uIN GOLD)
 PART NO. SS-718804S-A-PG4-BC-50 (50uIN GOLD)



PANEL GROUNDING BEAM DEFLECTION
 S.O.S. = SUGGESTED OPENING SIZE

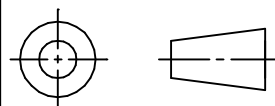


THE SUGGESTED PANEL OPENING IS INTENDED TO GIVE THE USER THE ABILITY TO HAVE REASONABLE JACK / PANEL CLEARANCES YET MAINTAIN RELIABLE GROUNDING CAPABILITY. THESE VARIABLES CAN BE ADJUSTED IN EITHER DIRECTION BUT MAY CARRY SOME CONSEQUENCES IN THE FORM OF LOWER MATING FORCES OR TIGHTER ASSEMBLY TOLERANCES. FORCE VALUES ON THE GRAPH ARE GENERAL AVERAGES TAKEN AT THE POINT OF CONTACT SHOWN ABOVE. THE SUGGESTED PANEL OPENING INCLUDES APPROXIMATELY .020 CLEARANCE ON THE SIDES AND TOP AND .005 ON THE BOTTOM.



SUGGESTED PANEL OPENING

THIRD ANGLE PROJECTION



THIS DRAWING AND THE SUBJECT MATTER SHOWN THEREON ARE CONFIDENTIAL AND THE PROPRIETARY PROPERTY OF STEWART CONNECTOR ("SCS") AND SHALL NOT BE REPRODUCED, COPIED OR USED IN ANY MANNER WITHOUT PRIOR WRITTEN CONSENT OF "SCS". THE SUBJECT MATTER MAY BE PATENTED OR A PATENT MAY BE PENDING. © SCS