

ATTENUATORS

Type N, up to 18 GHz, 5 Watts

SPECIFICATIONS:

Models: 18N5W-XX, 18N5W-XXF & 18N5W-XXM

RoHS
Compliant

AEROFLEX
A passion for performance.

Electrical:

Frequency Range _____ DC - 18 GHz
 Standard Freq. Values _____ 6 & 18 GHz
 Standard dB Values* _____ 0 - 10, 12, 15, 20, 30 & 40 dB
 Attenuation Accuracy _____ In 1 dB Increments
 0 - 6 dB _____ ±0.3 dB
 7 - 20 dB _____ ±0.5 dB
 21 - 30 dB _____ ±0.75 dB
 40 dB _____ ±1.5 dB

VSWR

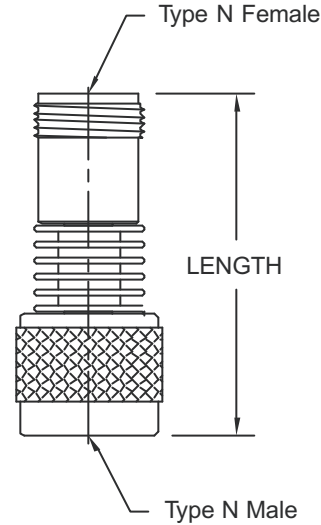
DC - 4 GHz _____ 1.15:1 Max.
 4 - 8 GHz _____ 1.20:1 Max.
 8 - 12.4 GHz _____ 1.25:1 Max.
 12.4 - 18 GHz _____ 1.35:1 Max.

Input Power _____ 5 Watts Avg. @ 25°C
Derated Linearly to 1 Watt @ +125°C

Impedance _____ 50 Ohms
 Operating Temp Range _____ -65°C to +125°C

Mechanical:

Type N Connectors _____ Passivated Stainless Steel
Mates with MILSTD-348
 Conductors _____ Gold Plated Beryllium Copper
 Housing _____ Anodized Aluminum



Connector Configuration	LENGTH	
	0 - 30 & 40 dB	
	Inches	Millimeters
Male/Female	1.90 ±.05	[48.3 ±1.3]
Male/Male	1.82 ±.05	[46.2 ±1.3]
Female/Female	1.99 ±.05	[50.5 ±1.3]

HOW TO ORDER:

Model Number: **XXN5W-XXY**

Freq. Range
 6 = DC - 6 GHz
 18 = DC - 18 GHz

Connector Configuration
 = Male/Female
 F = Fem/Fem
 M = Male/Male

dB Value

Ordering Examples:

Model Number: **18N5W-06F**
 DC - 18 GHz, 6 dB; Type N - Fem/Fem

Note: Dimensions in Brackets are Expressed in Millimeters and are for Reference Only.
 *Other dB values, units that operated over a more specific frequency band and/or offer very low return loss (VSWR) are also available.

XXN5W-ATT: REV M (M)

AEROFLEX
INMET

Aeroflex / Inmet, Inc. • 300 Dino Drive, Ann Arbor, MI 48103 • U.S.A.
 888-244-6638 or 734-426-5553 • FAX: 734-426-5557
 www.aeroflex.com/inmet • inmet-sales@eroflex.com