

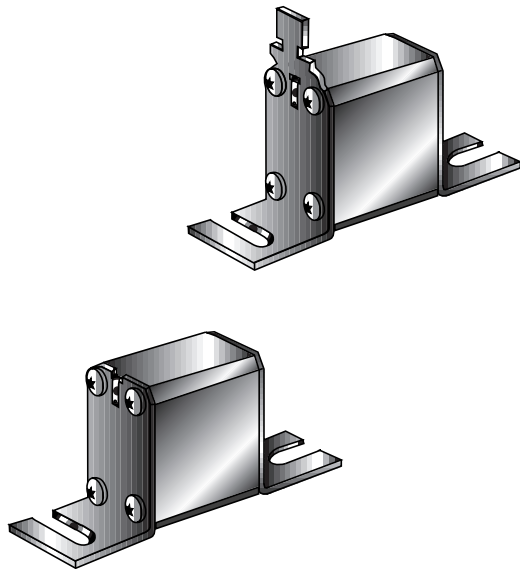
6,6 gRB-URB 5URB SEMICONDUCTOR PROTECTION FUSES

GERMAN STANDARD

500 - 660 V AC

gRB-URB FROM 20 TO 400A

SIZE: 000



Features/Benefits

- **Extremely high Interrupting rating Fuses:**
Protection of power Semiconductors according to 269.1 and 4
- **500-660V Voltage Rating** [Rating 20 to 400A]
- **gR Class** [gRB Ratings 20 to 125A] according to VDE 636-23
 - Full range protection
 - Improved safety and protection
 - Allows selective coordination
- **aR Class** [Current Rating 100A] According to VDE 636-23 and IEC 269.4
- **3 Models complying with DIN 43653-00C are:** C US
 - With or without blown fuse indication
 - With trip indicator
- **Model complying with DIN 43620 (00C)**
 - Standard with or without blown fuse indication
 - With trip indicator

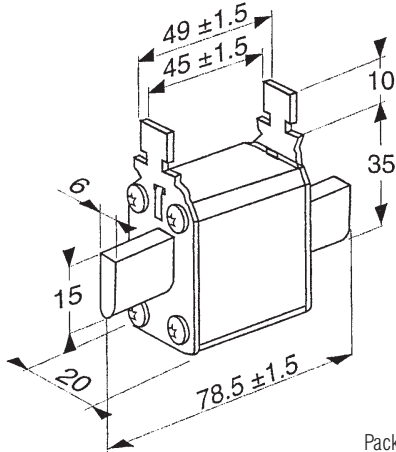
APPLICATIONS DATA

VOLTAGE RATING U_N (V)	CLASS	CURRENT RATING I_N (A)	PRE-ARCING $i^2t @ 1 \text{ ms}$ (A ² s)	TOTAL CLEARING $i^2t @$ RATED VOLTAGE (A ² s)	WATT LOSSES		TESTED INTERRUPTING RATING	ESTIMATED INTERRUPTING RATING
					0.8 I_N	I_N		
660 690 ^{+6%}	gRB	20	12	80	3.8	7	200 kA @ 660 V	300 kA @ 660 V
		25	20	150	5.0	9		
		32	39	270	5.5	10		
		40	70	460	6.6	12		
		50	102	730	7.7	14		
		63	210	1500	8.8	16		
		80	475	2900	9.9	18		
		100	970	6000	11	20		
		125	1900	11800	11.6	21		
660 690 ^{+6%}	URB	80	390	2500	11.6	21	200 kA @ 660 V	300 kA @ 660 V
		100	690	4200	12.7	23		
		125	1300	8900	14.3	26		
		160	2700	16000	17.0	31		
		200	5250	31500	19.8	36		
		250	9900	52000	24.8	45		
		315	15500	82000	31.9	58		
690	URB	350	22400	110000	31.9	58	120 kA @ 500 V	
		400	33200	160000	36.3	66		

Minimum operating voltage for blown fuse indicator: 20 V
 Minimum operating voltage for blown fuse trip-indicator: 20 V

6,6 gRB-URB 5URB SEMICONDUCTOR PROTECTION FUSES

German Standard blade-type DIN 43620**



Weight: 150 g
Packaging: 3 pieces

Microswitches
MS 4L 2-5 B6 + PRES Ref. F210156
MS 4L 2-5 B2 + PRES Ref. G210157

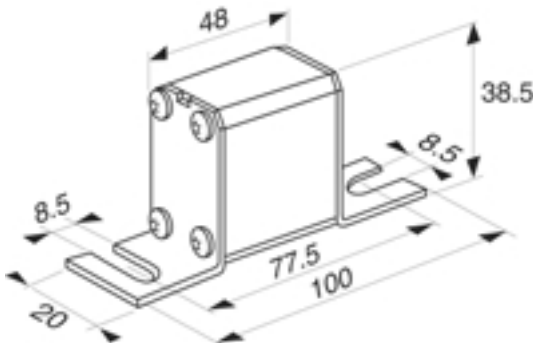
* Fuse Base: 00-EP Ref Number F210156
Pull out grip handle: Ref Number K217244

SIZE	CATALOG NO.	REF #	I/I ^N *
16	6,6 GRB 000 PV 016	Y210609	1
20	6,6 GRB 000 PV 020	Z210610	1
25	6,6 GRB 000 PV 025	A210611	1
32	6,6 GRB 000 PV 032	B210612	1
40	6,6 GRB 000 PV 050	C210613	1
50	6,6 GRB 000 PV 063	D210614	1
63	6,6 GRB 000 PV 080	E210615	1
80	6,6 GRB 000 PV 100	F210616	1
100	6,6 GRB 000 PV 125	G210617	1
125	6,6 URB 000 PV 080	H210618	1
80	6,6 URB 000 PV 100	J210619	1
100	6,6 URB 000 PV 125	K210620	1
125	6,6 URB 000 PV 160	L210621	0,95
160	6,6 URB 000 PV 200	M210622	0,85
200	6,6 URB 000 PV 250	N210623	0,85
250	6,6 URB 000 PV 315	P210624	0,8
315	6,6 URB 000 PV 315	Q210625	0,7
350	5 URB 000 PV 350	R210626	0,7
400	5 URB 000 PV 350	S210627	0,65

** These Fuses are not UL recognizes
* Fuse Base: 00-EP Ref. F210156
Pull out grip handle: Ref Number K217244



German Standard without blown fuse indicator



Weight: 110 g
Packaging: 6 pieces

* Fuse Base: SI 000 DIN 80
Ref. Number: C 220710

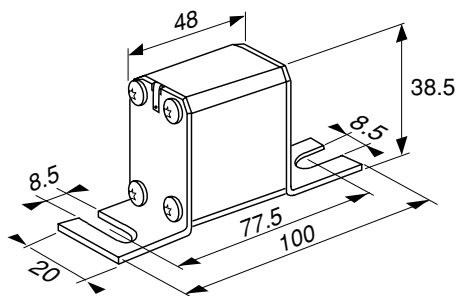


SIZE	CATALOG NO.	REF #	I/I ^N *
20	6,6 GRB 000 D08 / 020	D330030	1
25	6,6 GRB 000 D08 / 025	E330031	1
32	6,6 GRB 000 D08 / 032	F330032	1
40	6,6 GRB 000 D08 / 040	G330033	1
50	6,6 GRB 000 D08 / 050	H330034	1
63	6,6 GRB 000 D08 / 063	J330035	1
80	6,6 GRB 000 D08 / 080	A330073	1
100	6,6 GRB 000 D08 / 100	S330112	1
125	6,6 GRB 000 D08 / 125	T330113	0,9
80	6,6 URB 000 D08 / 080	K330036	1
100	6,6 URB 000 D08 / 100	L330037	1
125	6,6 URB 000 D08 / 120	M330038	0,9
160	6,6 URB 000 D08 / 160	N330039	0,85
200	6,6 URB 000 D08 / 200	P330040	0,85
250	6,6 URB 000 D08 / 250	Q330041	0,8
315	6,6 URB 000 D08 / 315	R330042	0,7
350	5 URB 000 D08 / 350	V330114	0,7
400	5 URB 000 D08 / 400	D330191	0,65

6,6 gRB-URB/5URB SEMICONDUCTOR PROTECTION FUSES



German Standard with blown fuse indication

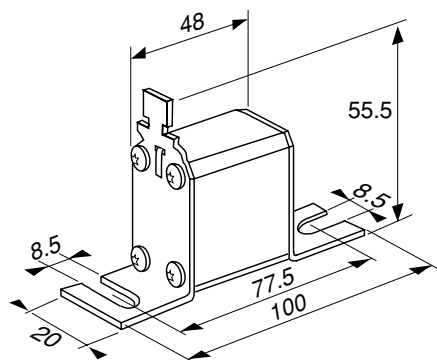


CURRENT RATING	CATALOG NO.	REF #	I/N FUSE BASE*	PACK.
20	6,6 gRB 000 D08V/020	P330017	1	6 (110 g)
25	6,6 gRB 000 D08V/025	Q330018	1	
32	6,6 gRB 000 D08V/032	R330019	1	
40	6,6 gRB 000 D08V/040	S330020	1	
50	6,6 gRB 000 D08V/050	T330021	1	
63	6,6 gRB 000 D08V/063	V330022	1	
80	6,6 gRB 000 D08V/080	G330102	1	
100	6,6 gRB 000 D08V/100	Q330110	1	
125	6,6 gRB 000 D08V/125	R330111	0,9	
80	6,6 URB 000 D08V/080	W330023	1	
100	6,6 URB 000 D08V/100	X330024	1	
125	6,6 URB 000 D08V/125	Y330025	0,95	
160	6,6 URB 000 D08V/160	Z330026	0,85	
200	6,6 URB 000 D08V/200	A330027	0,85	
250	6,6 URB 000 D08V/250	B330028	0,8	
315	6,6 URB 000 D08V/315	C330029	0,7	
350	5 URB 000 D08V/350	W330115	0,7	
400	5 URB 000 D08V/400	E330192	0,65	

• Fuse Base: SI 000 DIN 80
Ref. Number: C 220710



German Standard with separate blown fuse trip-indicator

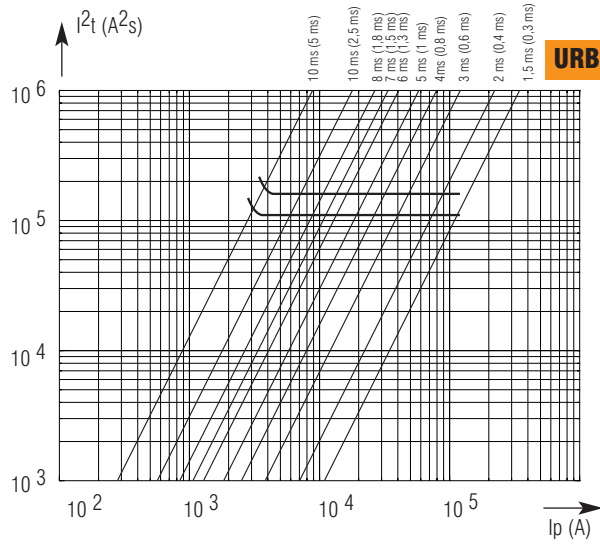


CURRENT RATING	CATALOG NO.	REF #	I/N FUSE BASE*	PACK.
20	6,6 gRB 000 D08L/020	J330173	1	6 (120 g)
25	6,6 gRB 000 D08L/025	K330174	1	
32	6,6 gRB 000 D08L/032	L330175	1	
40	6,6 gRB 000 D08L/040	M330176	1	
50	6,6 gRB 000 D08L/050	N330177	1	
63	6,6 gRB 000 D08L/063	P330178	1	
80	6,6 gRB 000 D08L/080	Q330179	1	
100	6,6 gRB 000 D08L/100	R330180	1	
125	6,6 gRB 000 D08L/125	S330181	0,9	
80	6,6 URB 000 D08L/080	T330182	1	
100	6,6 URB 000 D08L/100	V330183	1	
125	6,6 URB 000 D08L/125	W330184	0,9	
160	6,6 URB 000 D08L/160	X330185	0,85	
200	6,6 URB 000 D08L/200	Y330186	0,85	
250	6,6 URB 000 D08L/250	Z330187	0,8	
315	6,6 URB 000 D08L/315	A330188	0,7	
350	5 URB 000 D08L/350	B330189	0,7	
400	5 URB 000 D08L/400	F330193	0,65	

Microswitch
MC 4L 2-5 B6 + PRES Ref. Number: F210156
MC 4L 2-5 B2 + PRES Ref. Number: G210157
• Fuse Base: SI 000 DIN 80 Ref. Number: C220710

6,6 gRB-URB/5URB SEMICONDUCTOR PROTECTION FUSES

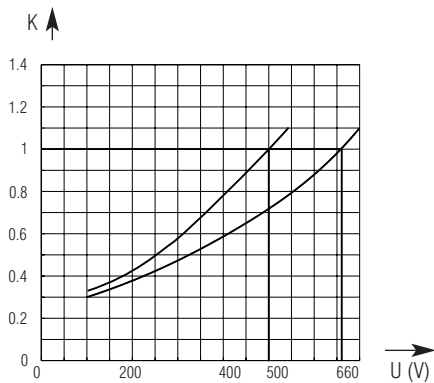
Total Clearing I^2t



Above: Horizontal curves show, for each rated current, values of total clearing $I^2t(I^2t)$ as a function of prospective current I_p . @ UN with $\cos\phi = 0.15$. Oblique lines indicate total clearing duration T_t , with associated pre-clearing duration in brackets.

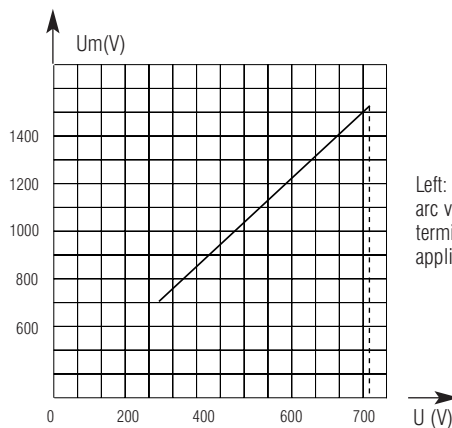


Clearing I^2t vs. AC Operating Voltage



Above: Correction factor to determine I^2t value for a fuse operating below its rated voltage.

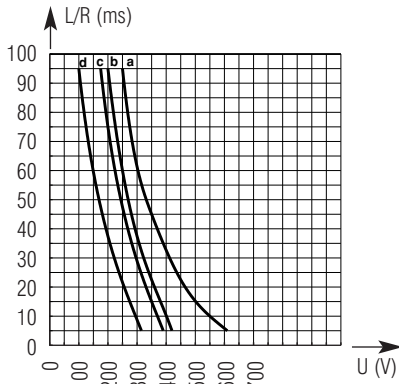
Peak Arc Voltage



Left: Determines the peak arc voltage across the fuse terminals as a function of applied voltage

6,6 gRB-URB/5URB SEMICONDUCTOR PROTECTION FUSES

DC Voltage Capability vs. Time Constant

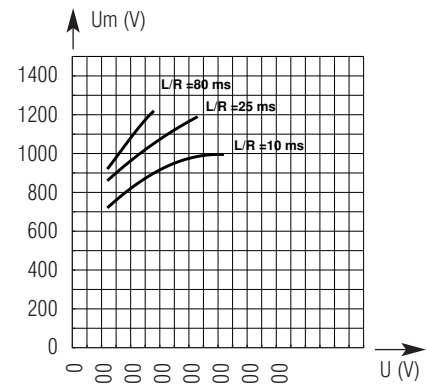


Above: Curves indicate permissible value of time constant L/R as a function of DC working voltage.
 Curve a: Ratings from 20 to 160 A
 Curve b: Ratings 200 A
 Curve c: Ratings from 250 to 315 A
 Curve d: Ratings from 350 to 400 A

RATED CURRENT	CURVE	I _{pm}
20	a	60
25	a	65
32	a	90
40	a	120
50	a	150
63	a	200
80	a	270
100	a	370
125	a	500
160	a	700
200	b	1200
250	c	1800
315	c	2200
350	d	2600
400	d	3100

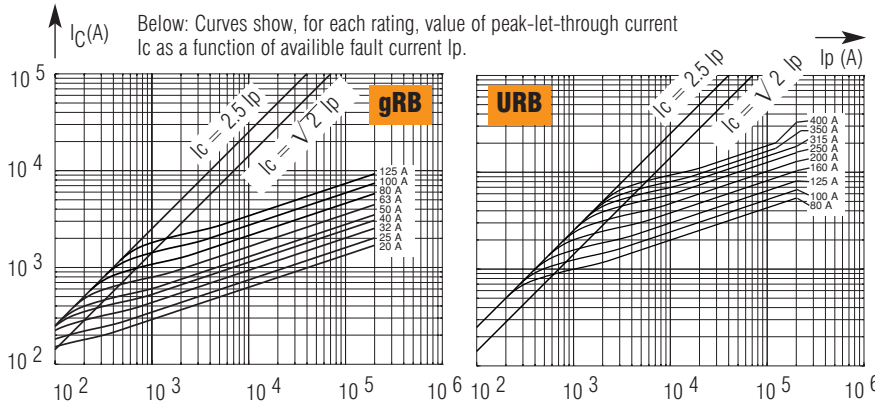
I_{pm} values give minimum DC interrupting current in amps

DC Peak Arc Voltage



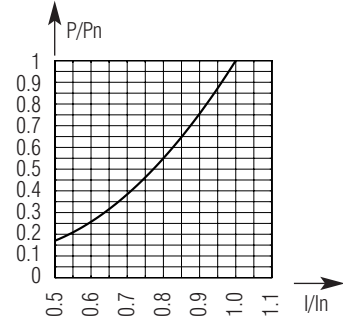
Above: Curves indicates peak arc voltage U_m which may appear across fuse terminals at DC working voltage U.

Peak let through Data



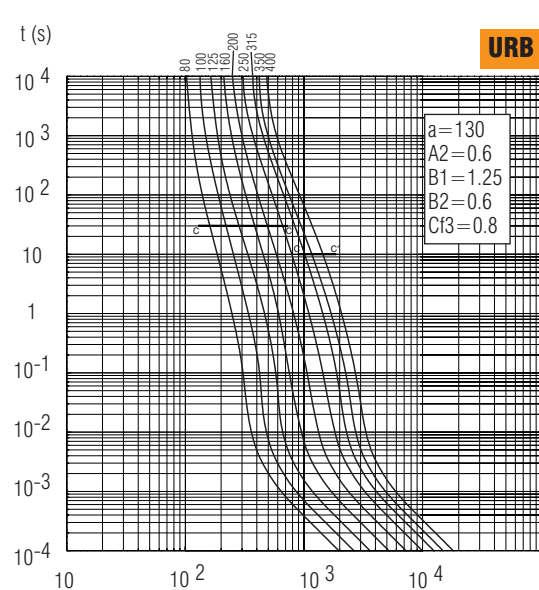
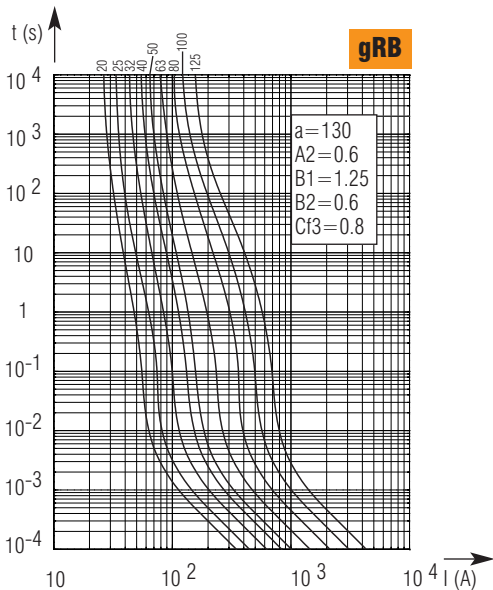
Below: Curves show, for each rating, value of peak-let-through current I_c as a function of available fault current I_p.

Corrections



Above: Correction factor to determine watts loss value for a fuse operating below its rated current.

Melting Time - Current data



Left: Curves show, for each rated current, pre-arcing time vs. R.M.S. pre-arcing current

Tolerance for mean pre-arcing current ± 8%