



## DB-54008L-830

RF POWER amplifier using 1 x PD54008L  
N-channel enhancement-mode lateral MOSFETs

### General Feature

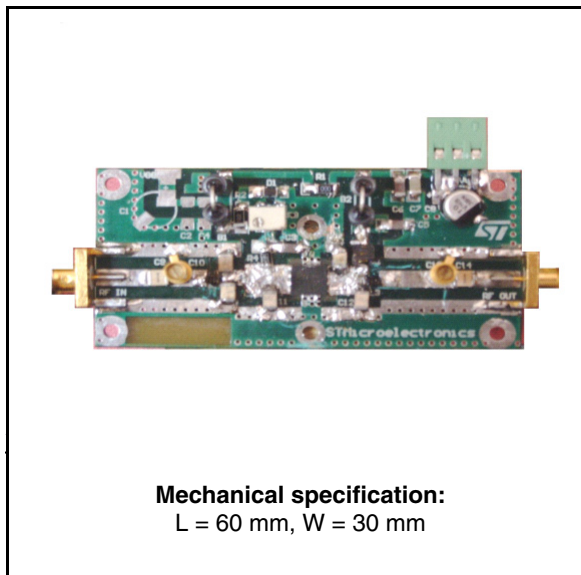
- Excellent thermal stability
- Frequency: 800 - 830MHz
- Supply voltage: 7.2V
- Output power: 7W
- Power gain:  $7.9 \pm 0.3\text{dB}$
- Efficiency: 56% - 59%
- Load mismatch: 20:1
- Beo free amplifier

### Description

The DB-54008L-830 is a common source N-channel Enhancement-Mode Lateral Field Effect RF power amplifier designed for Wireless Data Modem applications.

### Order code

- DB-54008L-830



# Contents

<b>1</b>	<b>Electrical data</b> .....	<b>3</b>
	1.1 Maximum ratings .....	3
<b>2</b>	<b>Electrical characteristics</b> .....	<b>3</b>
<b>3</b>	<b>Impedance</b> .....	<b>4</b>
<b>4</b>	<b>Typical performance</b> .....	<b>5</b>
<b>5</b>	<b>Test circuit</b> .....	<b>7</b>
<b>6</b>	<b>Circuit layout</b> .....	<b>9</b>
<b>7</b>	<b>Mounting indications</b> .....	<b>10</b>
<b>8</b>	<b>Package mechanical data</b> .....	<b>11</b>
<b>9</b>	<b>Revision history</b> .....	<b>14</b>

# 1 Electrical data

## 1.1 Maximum ratings

**Table 1. Absolute maximum ratings**

Symbol	Parameter	Value	Unit
$V_{DD}$	Supply Voltage	16	V
$I_D$	Drain Current	2.5	A
$T_{CASE}$	Operating Case Temperature	-20 to +85	°C
$T_A$	Max. Ambient Temperature	+55	°C

## 2 Electrical characteristics

$T_A = +25\text{ °C}$ ,  $V_{DD} = 7.2\text{ V}$ ,  $I_{dq} = 50\text{ mA}$

**Table 2. Electrical specification**

Symbol	Test conditions	Min	Typ	Max	Unit
FREQ	Frequency Range	800		830	MHz
$P_{OUT}$			7		W
Gain	@ $P_{OUT} = 8\text{ W}$		$7.9 \pm 0.3$		dB
ND	@ $P_{OUT} = 8\text{ W}$		56 - 59		%
H2	2 <sup>ND</sup> Harmonic @ $P_{OUT} = 8\text{ W}$		-51 / -54		dBc
H3	3 <sup>RD</sup> Harmonic @ $P_{OUT} = 8\text{ W}$		-46 / -48		dBc
VSWR	Load Mismatch all phases @ $P_{OUT} = 8\text{ W}$			20:1	

### 3 Impedance

Figure 1. Impedance graphic

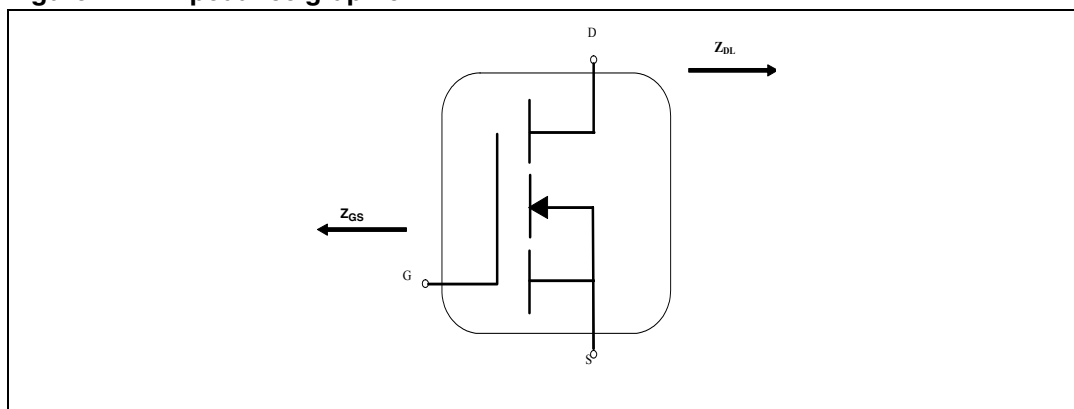
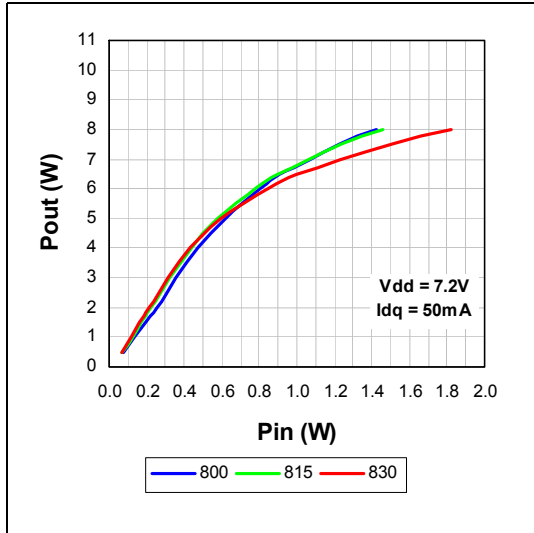


Table 3. Impedance data

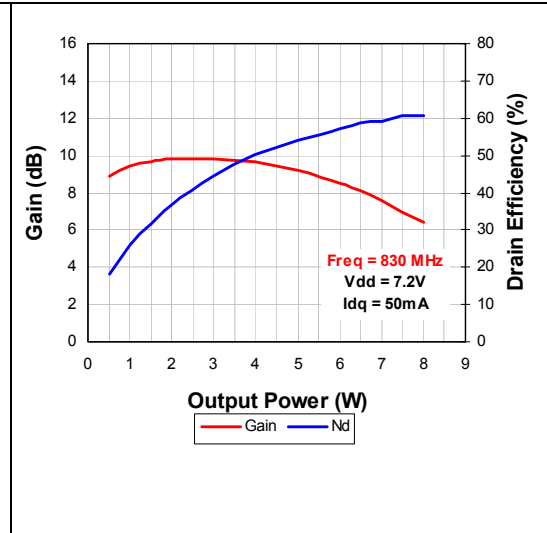
F(MHz)	$Z_{GS}$	$Z_{DL}$
800	$1.6 - j 1.5$	$1.9 + j 0.2$
810	$1.6 - j 1.2$	$1.9 + j 0.5$
820	$1.6 - j 1.1$	$1.7 + j 0.5$
830	$1.5 - j 0.8$	$1.96 + j 0.7$

# 4 Typical performance

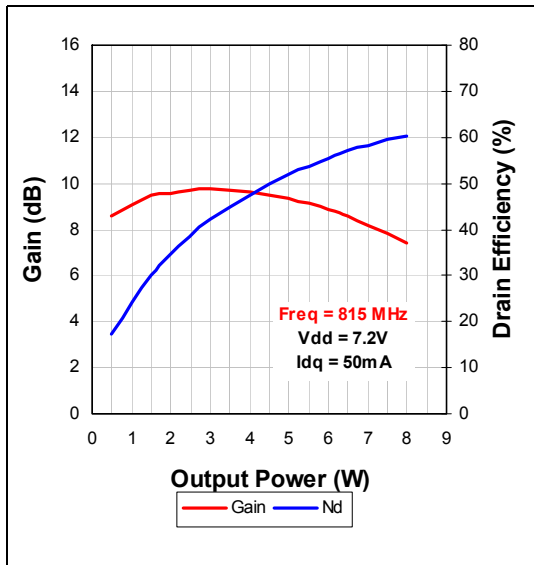
**Figure 2. Output power vs input power**



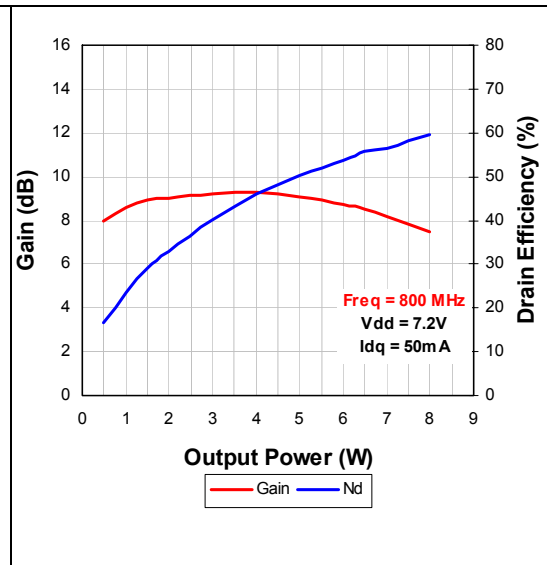
**Figure 3. Gain & efficiency vs output power**



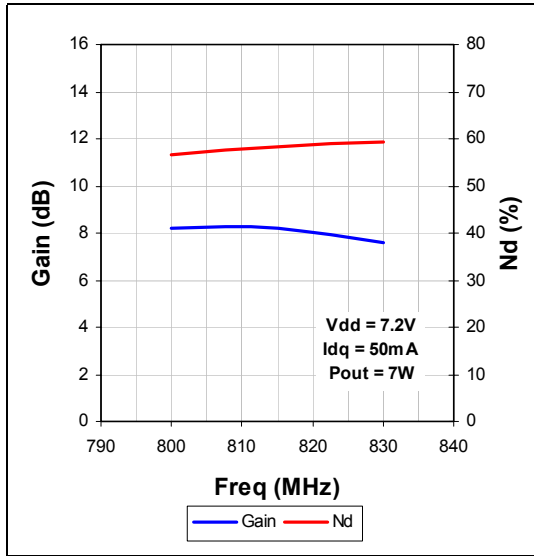
**Figure 4. Gain & efficiency vs output power**



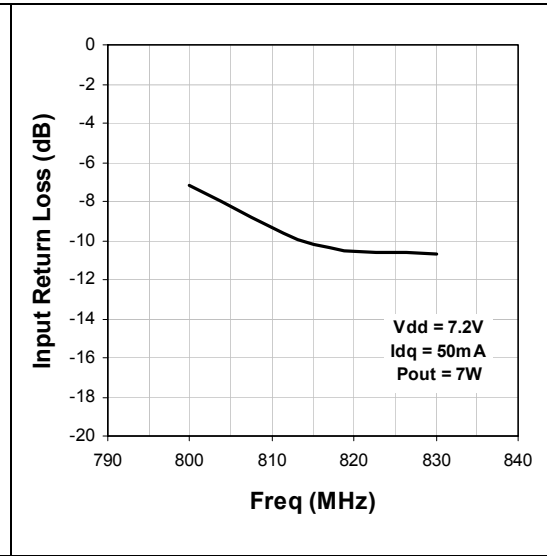
**Figure 5. Gain & efficiency vs output power**



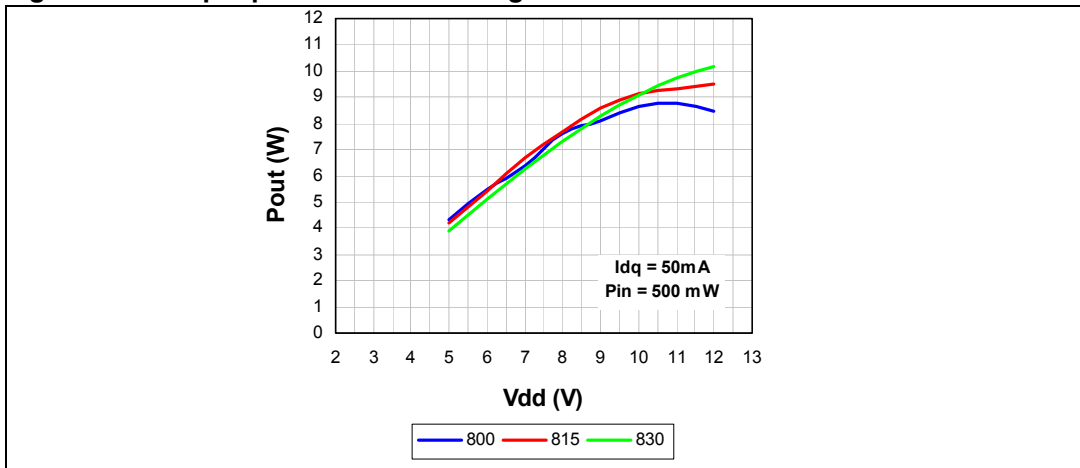
**Figure 6. Power gain & efficiency vs frequency**



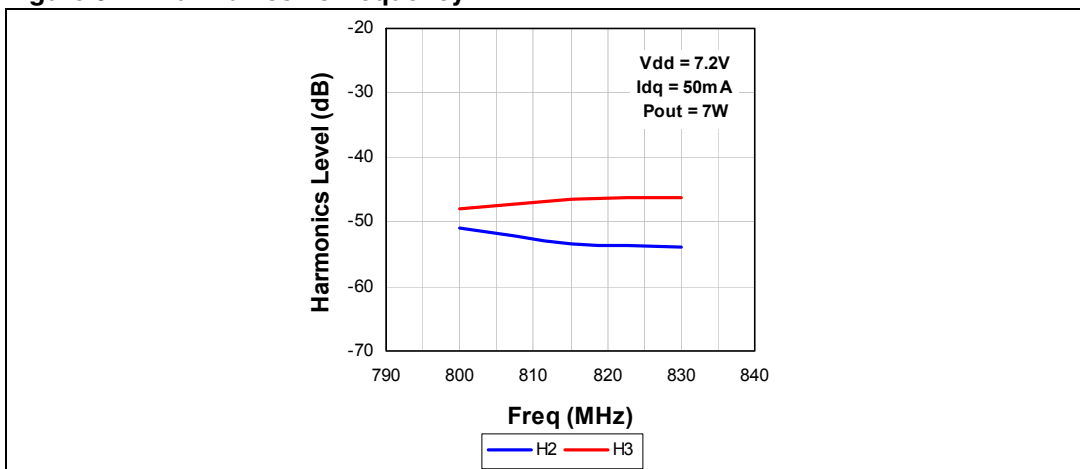
**Figure 7. Input return loss vs frequency**



**Figure 8. Output power vs drain voltage**



**Figure 9. Harmonics vs frequency**



# 5 Test circuit

Table 4. Test circuit schematic

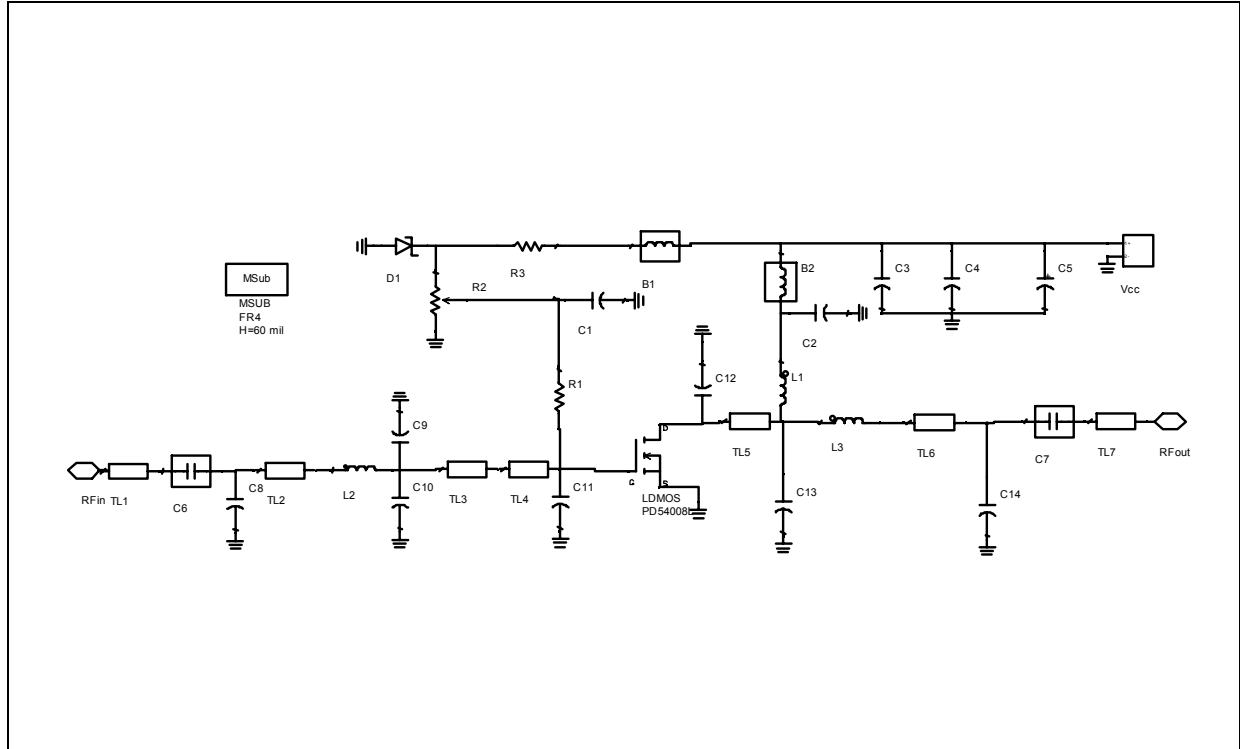


Table 5. Component part list

Component ID	Description	Value	Case size	Manufacturer	Part Code
C4	Capacitor	10nF	1206	Murata	GRM42-6X7R104K50
C3	Capacitor	1nF	1206	Murata	GRM42-6C0G102J50
C1	Capacitor	120pF	1206	Murata	GRM42-6C0G121J50
C2	Capacitor	120pF	1206	Murata	GRM42-6C0G121J50
C6	Capacitor	51pF	100B	ATC	510
C7	Capacitor	51pF	100B	ATC	510
C9	Capacitor	1.1pF	100B	ATC	1R1
C10	Capacitor	3.6pF	100B	ATC	3R6
C11	Capacitor	15pF	100B	ATC	150
C12	Capacitor	18pF	100B	ATC	180
C13	Capacitor	15pF	100B	ATC	150
C8	Variable Capacitor	0.8 -:- 8pF		Johnson	27293
C14	Variable Capacitor	0.8 -:- 8pF		Johnson	27293

Table 5. Component part list

Component ID	Description	Value	Case size	Manufacturer	Part Code
C5	Capacitor	10 uF	SMT	Panasonic	EEVHB1V100P
B2	Ferrite Bead			PANASONIC	EXCELDRC35C
B1	Ferrite Bead			PANASONIC	EXCELDRC35C
L1	Inductor	8nH		Coilcraft	A03T Mini Spring
L2	Inductor	3.85nH		Coilcraft	0906-4 Micro Spring
L3	Inductor	1.65nH		Coilcraft	0906-2 Micro Spring
PD54008L	LDMOS			STMicroelectronics	PD54008L
R2	Potentiometer	10K		BOURNS ELECTRONICS	3214W-1-103E
R3	Resistor	1K	1206	TYCO ELECTRONICS	01623440-1
R1	Resistor	680	1206	TYCO ELECTRONICS	
RF in	SMA-CONN			Johnson	142-0701-801
RF out	SMA-CONN			Johnson	142-0701-801
TL1	Transmission Line	W=2.87mm ; L=8.6mm			
TL2	Transmission Line	W=2.87mm ; L= 6.3mm			
TL3	Transmission Line	W=2.87mm ; L=2.8mm			
TL4	Transmission Line	W=4.9mm ; L=8mm			
TL5	Transmission Line	W=4.9mm ; L=5.86mm			
TL6	Transmission Line	W=4.9mm ; L=10.9mm			
TL7	Transmission Line	W=2.87mm ; L=7.5mm			
D1	Zener Diode	5.1 V	SOD110	PHILIPS	BZX284C5V1
FR-4 THk=0.060" 2OZ Cu Both Sides					



## 6 Circuit layout

Figure 10. Test fixture component layout

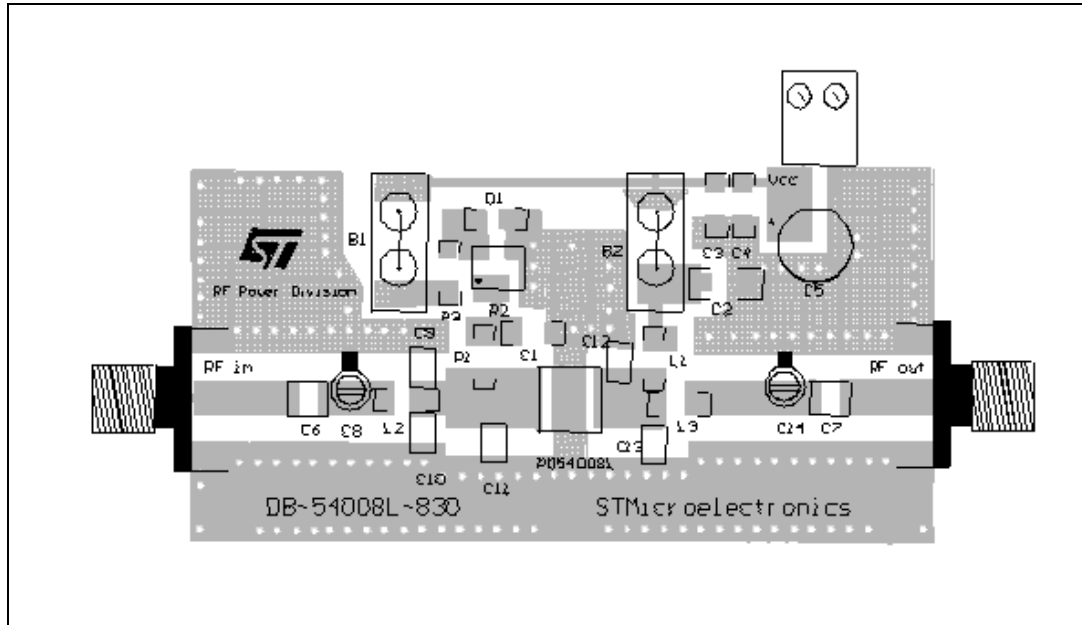
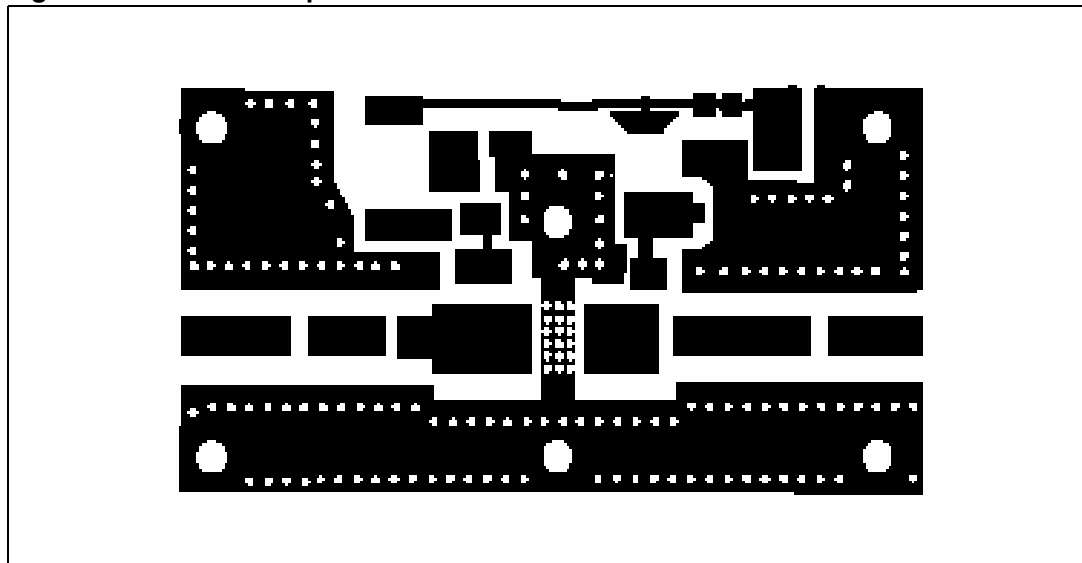
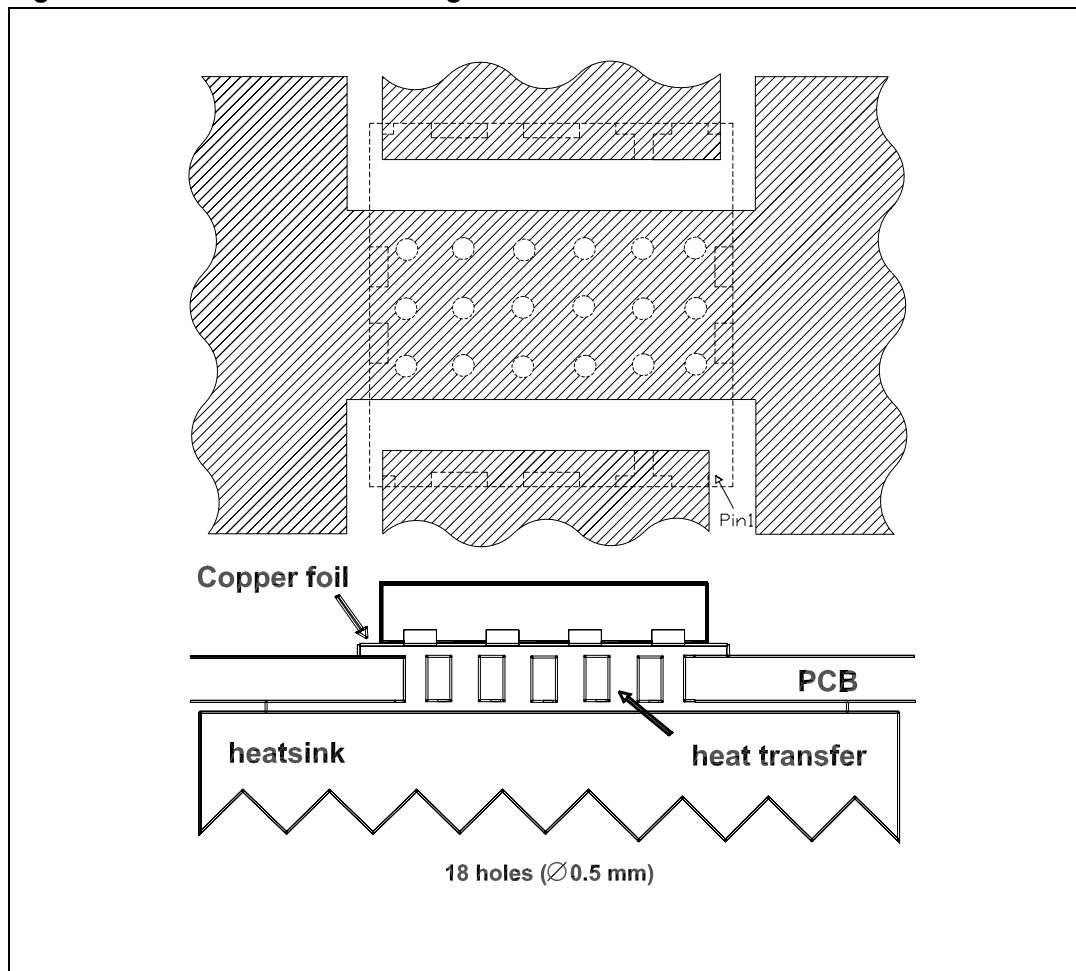


Figure 11. Test circuit photomaster



# 7 Mounting indications

Figure 12. Standard SMD Mounting



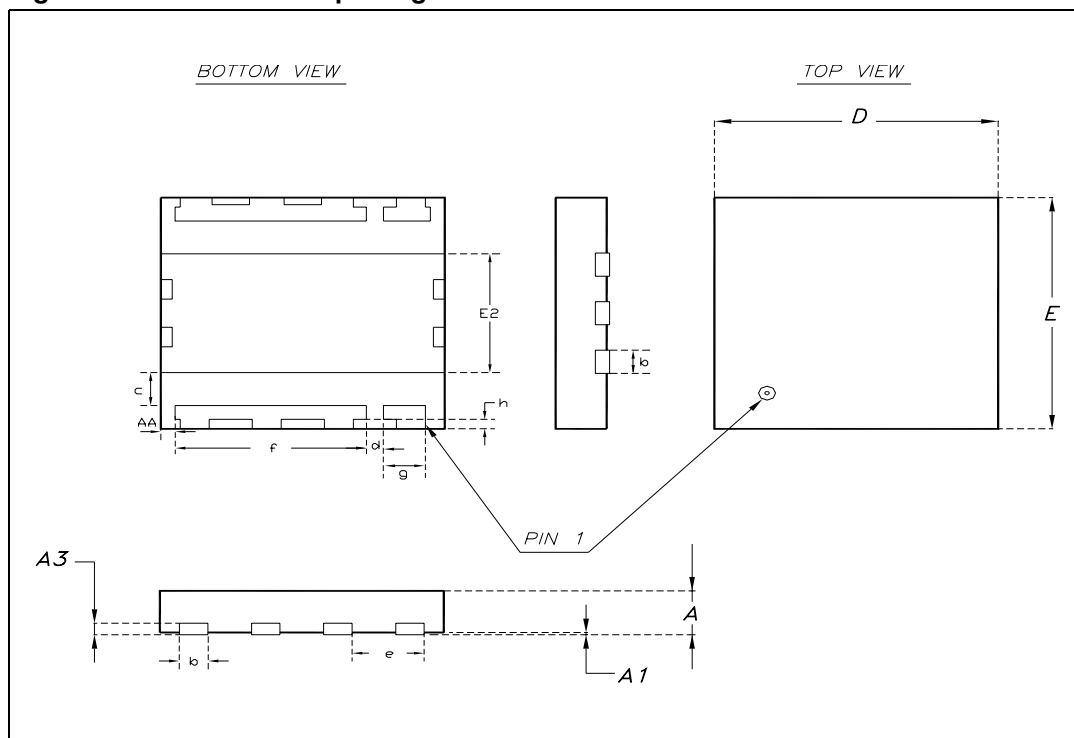
## 8 Package mechanical data

In order to meet environmental requirements, ST offers these devices in ECOPACK® packages. These packages have a Lead-free second level interconnect . The category of second level interconnect is marked on the package and on the inner box label, in compliance with JEDEC Standard JESD97. The maximum ratings related to soldering conditions are also marked on the inner box label. ECOPACK is an ST trademark. ECOPACK specifications are available at: [www.st.com](http://www.st.com)

Table 6. PowerFLAT™ mechanical data

Dim.	mm			inch		
	Min.	Typ.	Max.	Min.	Typ.	Max.
A		0.90	1.00		0.035	0.039
A1		0.02	0.05		0.001	0.002
A3		0.24			0.009	
AA	0.15	0.25	0.35	0.006	0.01	0.014
b	0.43	0.51	0.58	0.017	0.020	0.023
c	0.64	0.71	0.79	0.025	0.028	0.031
D		5.00			0.197	
d		0.30			0.011	
E		5.00			0.197	
E2	2.49	2.57	2.64	0.098	0.101	0.104
e		1.27			0.050	
f		3.37			0.132	
g		0.74			0.03	
h		0.21			0.008	

Figure 13. PowerFLAT™ package dimensions





## 9 Revision history

**Table 8. Revision history**

Date	Revision	Changes
19-May-2006	1	Initial release

**Please Read Carefully:**

Information in this document is provided solely in connection with ST products. STMicroelectronics NV and its subsidiaries ("ST") reserve the right to make changes, corrections, modifications or improvements, to this document, and the products and services described herein at any time, without notice.

All ST products are sold pursuant to ST's terms and conditions of sale.

Purchasers are solely responsible for the choice, selection and use of the ST products and services described herein, and ST assumes no liability whatsoever relating to the choice, selection or use of the ST products and services described herein.

No license, express or implied, by estoppel or otherwise, to any intellectual property rights is granted under this document. If any part of this document refers to any third party products or services it shall not be deemed a license grant by ST for the use of such third party products or services, or any intellectual property contained therein or considered as a warranty covering the use in any manner whatsoever of such third party products or services or any intellectual property contained therein.

**UNLESS OTHERWISE SET FORTH IN ST'S TERMS AND CONDITIONS OF SALE ST DISCLAIMS ANY EXPRESS OR IMPLIED WARRANTY WITH RESPECT TO THE USE AND/OR SALE OF ST PRODUCTS INCLUDING WITHOUT LIMITATION IMPLIED WARRANTIES OF MERCHANTABILITY, FITNESS FOR A PARTICULAR PURPOSE (AND THEIR EQUIVALENTS UNDER THE LAWS OF ANY JURISDICTION), OR INFRINGEMENT OF ANY PATENT, COPYRIGHT OR OTHER INTELLECTUAL PROPERTY RIGHT.**

**UNLESS EXPRESSLY APPROVED IN WRITING BY AN AUTHORIZED REPRESENTATIVE OF ST, ST PRODUCTS ARE NOT DESIGNED, AUTHORIZED OR WARRANTED FOR USE IN MILITARY, AIR CRAFT, SPACE, LIFE SAVING, OR LIFE SUSTAINING APPLICATIONS, NOR IN PRODUCTS OR SYSTEMS, WHERE FAILURE OR MALFUNCTION MAY RESULT IN PERSONAL INJURY, DEATH, OR SEVERE PROPERTY OR ENVIRONMENTAL DAMAGE.**

Resale of ST products with provisions different from the statements and/or technical features set forth in this document shall immediately void any warranty granted by ST for the ST product or service described herein and shall not create or extend in any manner whatsoever, any liability of ST.

ST and the ST logo are trademarks or registered trademarks of ST in various countries.

Information in this document supersedes and replaces all information previously supplied.

The ST logo is a registered trademark of STMicroelectronics. All other names are the property of their respective owners.

© 2006 STMicroelectronics - All rights reserved

STMicroelectronics group of companies

Australia - Belgium - Brazil - Canada - China - Czech Republic - Finland - France - Germany - Hong Kong - India - Israel - Italy - Japan - Malaysia - Malta - Morocco - Singapore - Spain - Sweden - Switzerland - United Kingdom - United States of America

[www.st.com](http://www.st.com)

