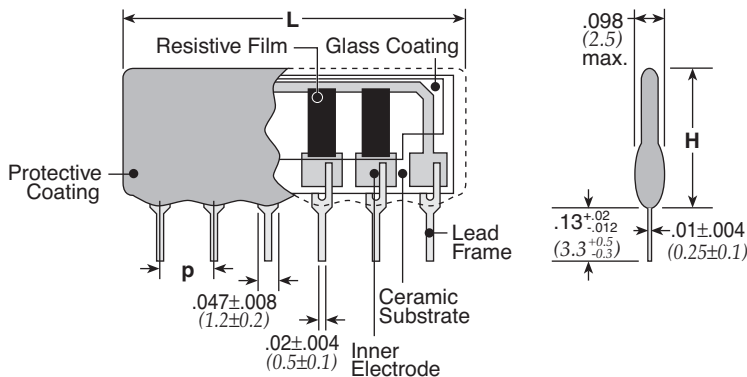


## features

- Available in various types of standard circuits in different sizes and power
- Higher temperature soldering of the leads prevents terminals from loosening during board assembly
- For automatic insertion machines, stick magazines and taping packages are available
- Marking: Black body color with white marking
- Products with lead-free terminations meet EU RoHS requirements. Pb located in glass material, electrode and resistor element is exempt per Annex 1, exemption 5 of EU directive 2005/95/EC

## dimensions and construction



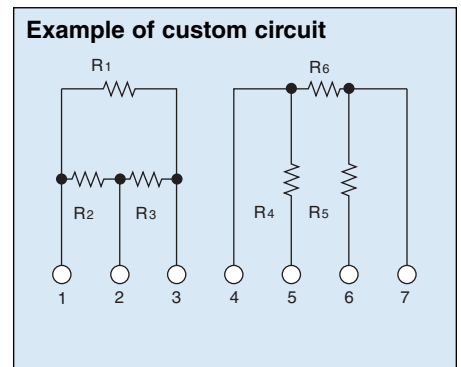
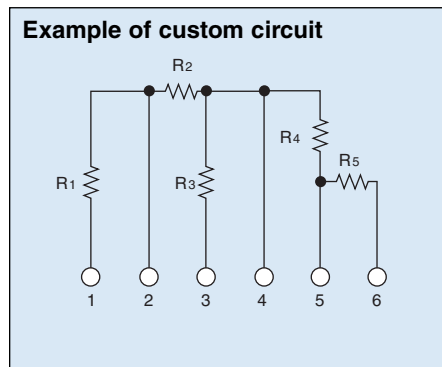
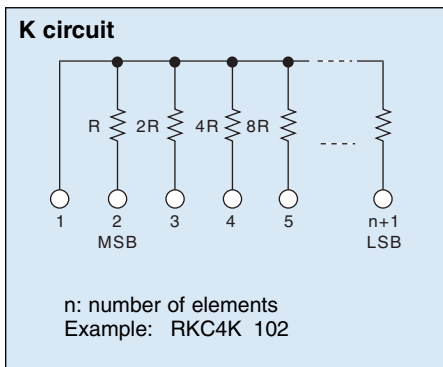
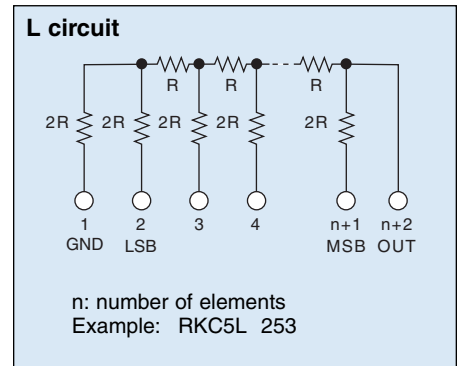
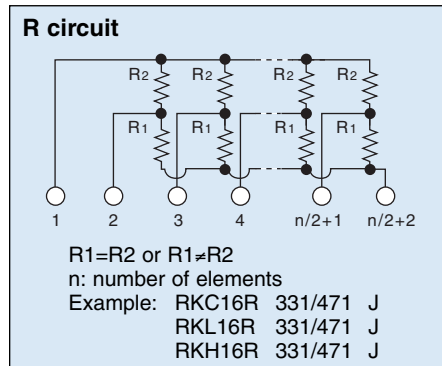
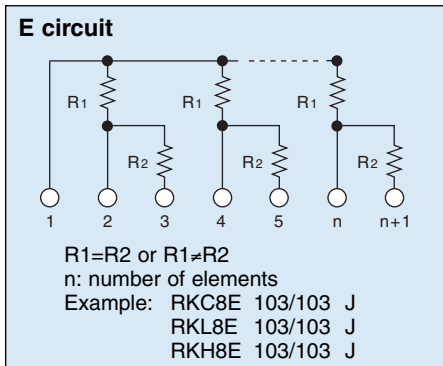
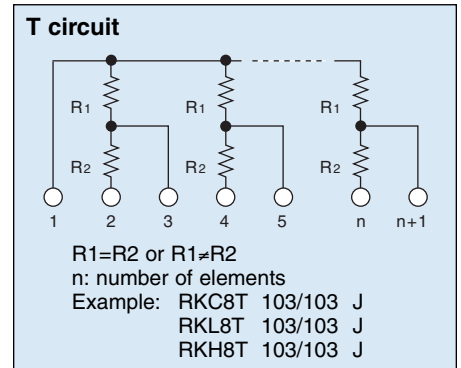
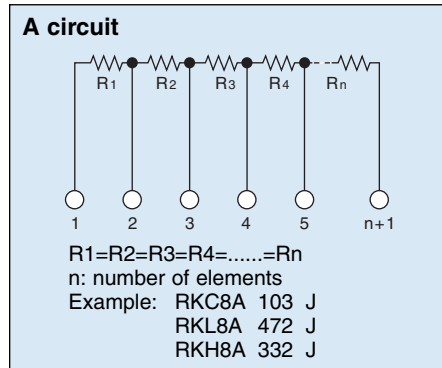
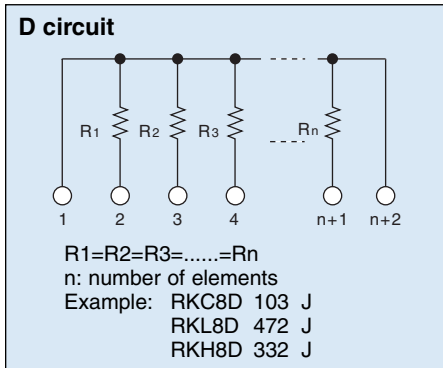
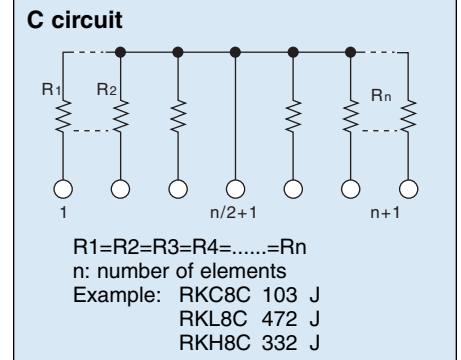
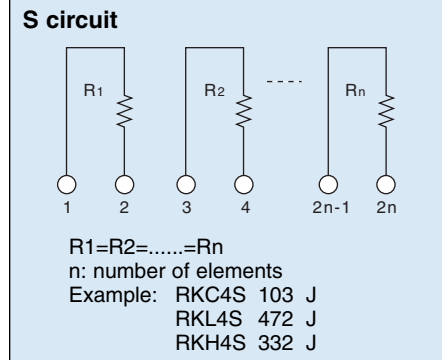
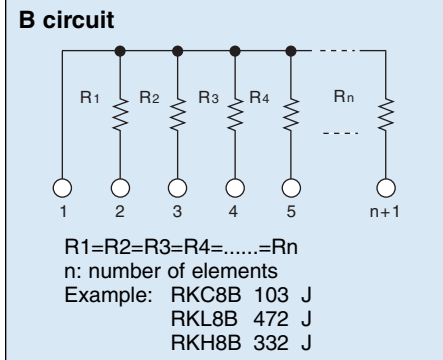
Size Code	Number of Pins															Dimen. in. (mm)	
	3	4	5	6	7	8	9	10	11	12	13	14	15	16	H max.	p	
RKL	L	8.20	10.16	12.70	15.24	78.78	20.32	22.86	25.40	27.94	30.48	—	—	—	—	.200	.100±.008
	W	250	375	500	625	750	875	1000	1050	1150	1250	—	—	—	—	(5.08)	(2.54±0.2)
RKC (2.54 pitch)	L	8.20	10.8	13.2	15.8	18.3	20.9	23.4	25.9	28.5	31.0	33.6	36.1	38.7	41.3	.256	.100±.008
	W	250	375	500	625	750	875	1000	1050	1150	1250	1350	1450	1500	1550	(6.5)	(2.54±0.2)
RKH	L	—	10.8	13.3	15.8	18.3	20.9	23.4	25.9	28.5	31.0	33.6	—	—	—	.421	.100±.008
	W	—	525	700	875	1050	1250	1400	1500	1600	1700	1800	—	—	—	(10.7)	(2.54±0.2)
RKC (1.8 pitch)	L	—	10.2	10.8	12.7	15.5	15.8	17.8	20.4	20.9	23.5	25.4	28.5	—	—	.256	.071±.006
	W	—	300	400	500	580	650	720	760	820	850	880	900	—	—	(6.5)	(1.8±0.15)
RKS (2.54 pitch)	L	—	10.1	12.7	12.7	15.3	17.8	20.3	22.8	22.8	25.4	—	—	—	—	.200	.079±.008
	W	—	195	260	325	390	455	520	585	650	715	—	—	—	—	(5.08)	(2.0±0.2)

## ordering information

New Part #	<b>RKC</b>	<b>8</b>	<b>B</b>	<b>D</b>	<b>STP</b>	<b>103</b>	<b>F</b>
Type	RKC RKH RKL	Number of Resistors 3 - 16	Circuit Symbol B, S, C, D, A, T, E, R, L, K	Termination Material D: SnAgCu (Other termination styles available, contact factory for options)	Packaging STP, STB, TBA, TPA, TUA	Nominal Resistance 2 significant figures + 1 multiplier for ±2% & ±5% 3 significant figures + 1 multiplier for ±1%	Tolerance F: ±1% G: ±2% J: ±5%

For further information on packaging, please refer to Appendix C.

### circuit schematics



### applications and ratings

Part Designation	Circuit Symbol	Number of Pins	Power Rating/Element	T.C.R. (ppm/°C) Max.	Resistance Range (Ω)	Resistance Tolerance	Maximum Working Voltage	Rated Ambient Temperature	Operating Temperature Range
RKC	B	3-16	125mW	±200	22-2.2M (E24)	F: ±1% G: ±2% J: ±5%	200V	+70°C	-55°C to +155°C
	C	5-13							
	D	5-14							
	A	4-14							
	T	5-13							
	E	5-13							
	S	4-16	250mW						
	R	4-16	125mW		100-100k (E24)	G: ±2% J: ±5%			
RKC	L	6-11	20mW	±200	R=2.5k, 5k 10k, 25k 50k, 100k	±1/2LSB (Bit Error)	200V	+70°C	-55°C to +125°C
	K	5-9	40mW		R1(MSB):100 Min Rn(LSB):1M Max	±1/2LSB (Bit Error)			
RKL	B	3-12	125mW	±200	22-1M (E24)	F: ±1% G: ±2% J: ±5%	100V	+70°C	-55°C to +125°C
	C	5-11							
	D	5-12							
	A	3-12							
	T	5-11							
	E	5-11							
	S	4-12	200mW						
R	4-11	125mW	100-100k (E24)	G: ±2% J: ±5%					
RKH	B	4-13	125mW	±200	56-2.2M (E24)	F: ±1% G: ±2% J: ±5%	250V	+70°C	-55°C to +155°C
	C	5-13							
	D	5-12							
	A	4-12							
	T	5-13							
	E	5-13							
	S	4-12	500mW						
R	5-11	250mW	100-100k (E24)	G: ±2% J: ±5%					
Custom	RKL	3-12	0.1W 0.125W 0.25W 0.5W 1W	±100 ±150 ±200	10-1M	±0.5% ±1% ±2% ±5%	100V	+70°C	-55°C to +125°C
	RKC (1.8 pitch)	4-14					50V		
	RKC (2.54 pitch)	3-16					200V		
	RKH	4-13					250V		
	RKS (2.0 pitch)	4-12					100V		

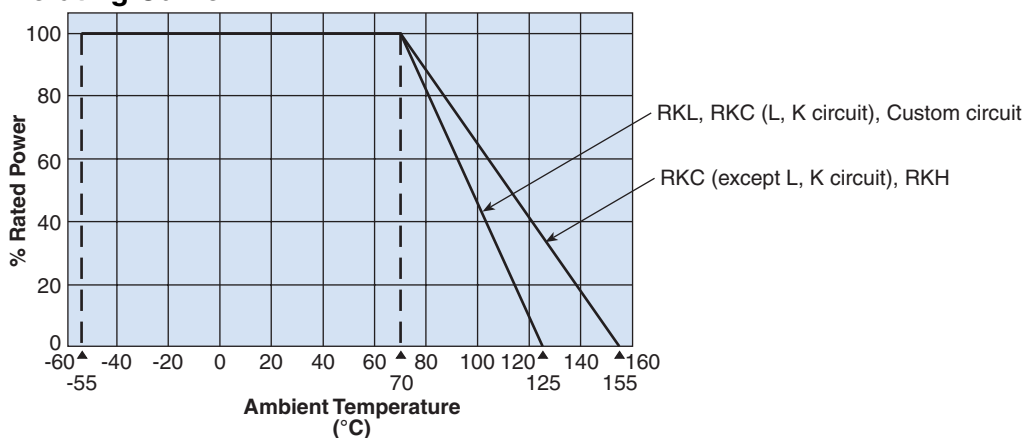
### wattage/package

	Number of Pins						
	3	4	5	6	7	8	9
<b>RKL</b>	147	185	228	271	314	357	400
<b>RKC</b>	160	217	273	330	387	444	501
<b>RKH</b>	—	416	511	606	701	796	891

	Number of Pins						
	10	11	12	13	14	15	16
<b>RKL</b>	443	486	529	—	—	—	—
<b>RKC</b>	558	615	672	728	785	842	893
<b>RKH</b>	986	1081	1176	1271	—	—	—

### environmental applications

#### Derating Curve



#### Performance Characteristics

Parameter	Requirement $\Delta R$		Test Method
	Limit	Typical	
Resistance	Within specified tolerance	—	25°C
T.C.R.	Within specified T.C.R.	—	+25°C/-55°C, +25°C/+125°C (RKL) +25°C/-55°C, +25°C/+155°C (RKC, RKH)
Overload (Short time)	±0.5%	±0.25%	Rated voltage x 2.5 for 5 seconds
Resistance to Solder Heat	±0.5%	±0.25%	260°C ± 5°C, 10 seconds ± 1 second
Temperature Cycling	±0.5%	±0.25%	-40°C (30 minutes), +85°C (30 minutes), 5 cycles
Moisture Resistance	±2.0%	±1.0%	40°C ± 2°C, 90 - 95% RH, 1000 hours, 1.5 hr ON, 0.5 hr OFF cycle
Endurance at 70°C	±2.0%	±1.0%	70°C ± 2°C, 1000 hours, 1.5 hr ON, 0.5 hr OFF cycle