

HIGH FREQUENCY MHZ SMD CERAMIC RESONATORS

ASCR



RoHS
Compliant



Size Varies

FEATURES:

- Low resonant impedance
- Excellent environmental resistance
- Low Cost
- Reflow capable
- Built-in load capacitance

APPLICATIONS:

- Remote controls
- Mobile phones, DVD, CD-Rom
- Electric appliances
- Microprocessor clocks

ELECTRICAL SPECIFICATIONS:

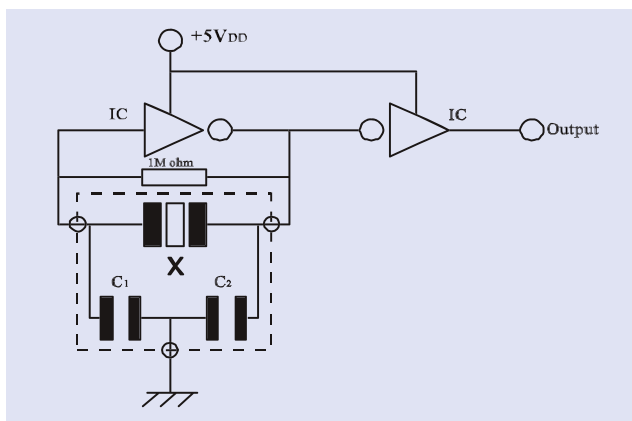
Part Number (XX.XX freq. in MHz)	Frequency Range	Package Style	Parameters
ASCR XX.XX MGC	2.00 MHz - 8.00 MHz	7434	Operating Temp.: -20°C to +80°C Storage Temperature: -55°C to +85°C Frequency Tolerance: ± 0.5% max. Frequency Stability: ± 0.3% max Aging in 10 Years: ± 0.3% max.
ASCR XX.XX MTS	7.00 MHz - 13.00 MHz	4741	
ASCR XX.XX MTV	7.00 MHz - 13.00 MHz	3731	
ASCR XX.XX MXS	13.01 MHz - 50.0 MHz	4741	
ASCR XX.XX MXV	13.01 MHz - 50.0 MHz	3731	
ASCR XX.XX MSS	20.0 MHz - 50.0 MHz	2520	

Item	Requirement
Oscillation Frequency (Fosc)	4.00MHz±0.5%
Resonant Impedance (Ro)	30Ω max.
Temperature Coefficient of Oscillation Frequency	±0.3% max. (-20°C to +80°C)
Withstanding Voltage	100VDC 5 sec. max.
Rating Voltage	6 V.D.C. max
	15 Vp-p. max
Insulation Resistance	100MΩ min. (at 10 VDC)
Operation Temperature	-20°C to +80°C
Storage Temperature	-55°C to +85°C
Aging Rate (Fosc)	±0.3% max. (10 years)

Load Capacitors: C1=C2 (built-in)

ASCR-MGC	22pF
ASCR-MTS	30pF
ASCR-MTV	30pF
ASCR-MXS	30pF (up to 20M) 15pF (20.01M to 50M)
ASCR-MXV	30pF (up to 20M) 15pF (20.01M to 50M)
ASCR-MSS	15pF (up to 25.9M) 5pF (26M to 50M)

TEST CIRCUIT and CONDITION:



Parts shall be measured under a condition (Temp.: 20±15°C, Humidity: 65±20% R.H.) unless the standard condition

(Temp: 25±3°C, Humidity: 65±5% R.H.) is regulated to measure

C1C2: see above Load Capacitance Table

IC: 1/6TC4069UBP2

X: Ceramic Resonator

VDC: +5V

OPTIONS AND PART IDENTIFICATION:

(Left blank if standard)

AWSCR - XX.XXMXX - Packaging
XX.XX: Frequency in MHz

PACKAGING OPTION:

T for Tape and Reel (3,000pcs/reel)

HIGH FREQUENCY MHZ SMD CERAMIC RESONATORS

ASCR



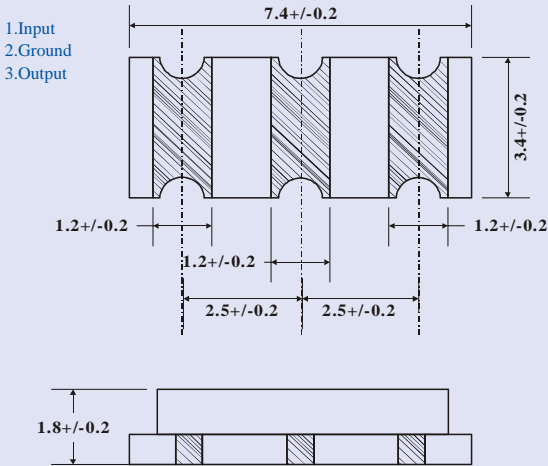
RoHS
Compliant



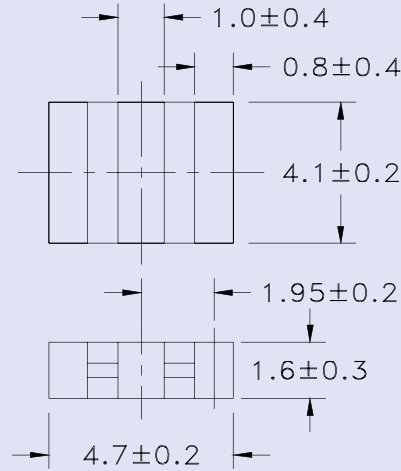
Size Varies

OUTLINE DRAWING:

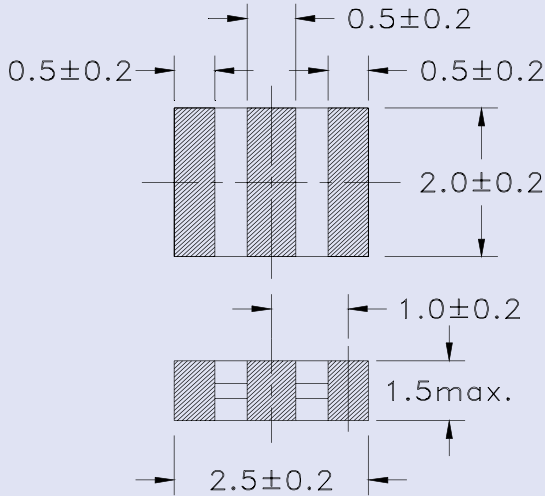
ASCR-MGC (7434)



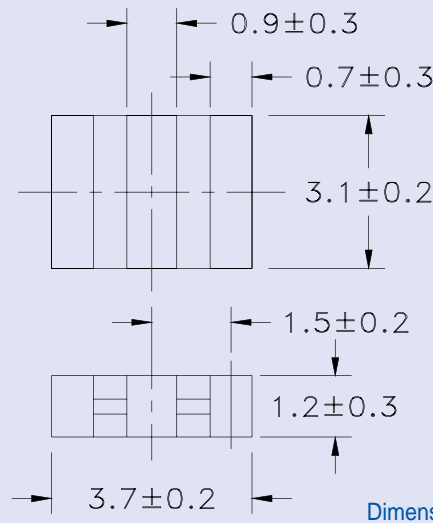
ASCR-MTS and MXS (4741)



ASCR-MSS (2520)

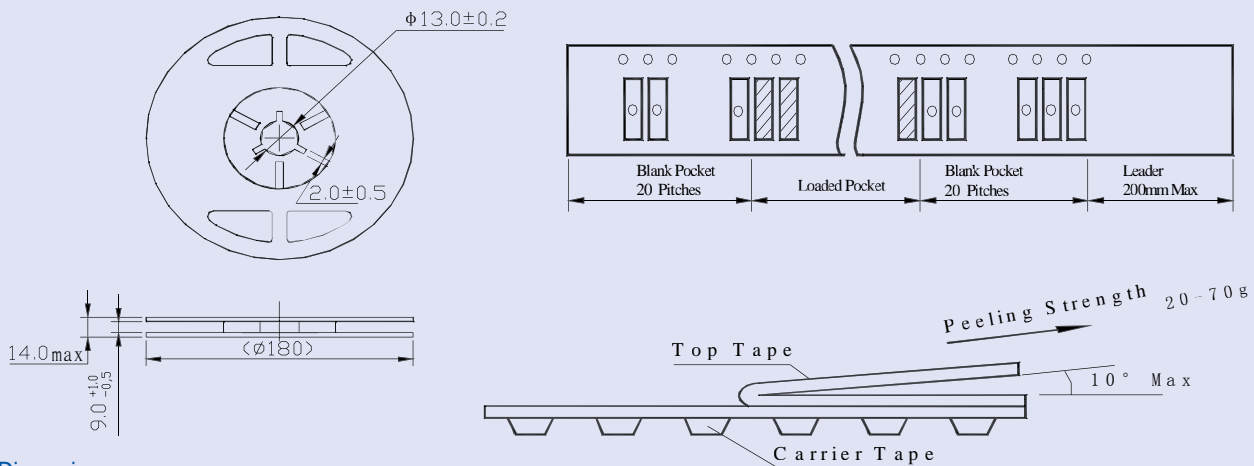


ASCR-MTV and MXV (3731)



Dimensions: mm

TAPE & REEL: T = Tape and reel 3,000pcs/reel



Dimensions: mm

ABRACON IS
ISO 9001 / QS 9000
CERTIFIED



ABRACON
CORPORATION

Visit www.abracon.com for Terms & Conditions of Sale **Revised: 07.05.07**
30332 Esperanza, Rancho Santa Margarita, California 92688
tel 949-546-8000 | fax 949-546-8001 | www.abracon.com