

SMD WASHABLE CERAMIC RESONATORS



AWSCR-MV

FEATURES:

- Low resonant impedance.
- Excellent environmental resistance.
- Reflow capable.
- High stability washable type.
- Industrial grade.
- Built-in load capacitance.

APPLICATIONS:

- Remote controls.
- Automotive controllers.
- Microprocessor clocks.
- Mobile phones, DVD, CD-Rom.
- Electric appliances.
- Industrial controllers.

STANDARD SPECIFICATIONS:

Part Number (XX.X denotes freq. in MHz)	Frequency Tolerance at 25°C	Frequency Stability at -20°C to +80°C	Aging in 10 years	Operating temperature	Res. Imp. (Ω) max
AWSCR-XX.XMVS 8.00 MHz - 13.00 MHz	± 0.4%	± 0.3%	± 0.3%	-20° to +80°C	25
AWSCR-XX.XMVD 8.00 MHz - 13.00 MHz	± 0.4%	± 0.3% ± 0.5% (-40C to 85C)	± 0.3%	-40° to +85°C	25
AWSCR-XX.XMVA 8.00 MHz - 13.00 MHz	± 0.4%	± 0.3% ± 0.7% (-40C to 125C)	± 0.3%	-40° to +125°C	25
AWSCR-XX.XMV 13.01 MHz - 16.00 MHz	± 0.3%	± 0.3%	± 0.3%	-20° to +80°C	60
AWSCR-XX.XMV 16.01 MHz - 40.00 MHz	± 0.3%	± 0.3%	± 0.3%	-20° to +80°C	40
AWSCR-XX.XMV 40.01 MHz - 50.00 MHz	± 0.3%	± 0.3%	± 0.3%	-20° to +80°C	40

ITEM	SPECIFICATION
Storage temperature	-40°C to +125°C
Insulation resistance	500Mohms min. at 10Vdc
Load Capacitance (C1=C2 pF)	20pF ± 20%

FREQ (MHz)	Cl=C2 pf (±20%)
3.00 ~ 13.00	20
13.01 ~ 16.00	20
16.01 ~ 40.00	10
40.01 ~ 50.00	5

MARKING:

XX.XZY
-X.XX (Frequency in MHz)
Z Month (A to L); Y Year 2 for 2002

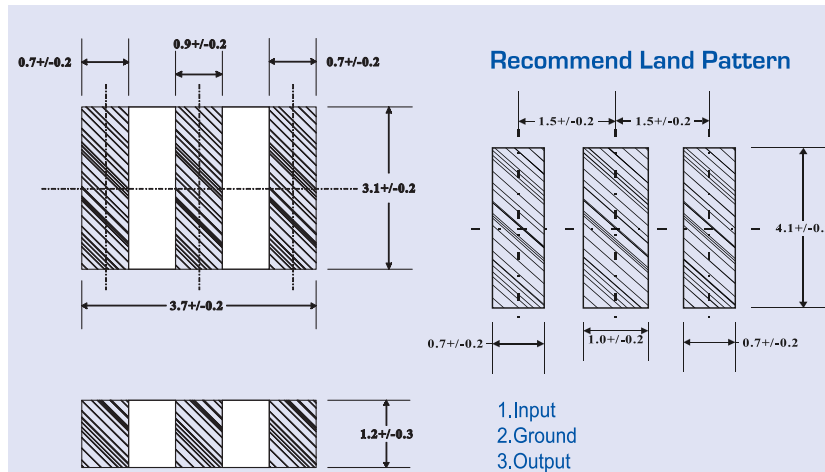
OPTIONS AND PART IDENTIFICATION (Left blank if standard):

AWSCR - XX.XXMEY - Packaging
XX.XX: Freq in MHz

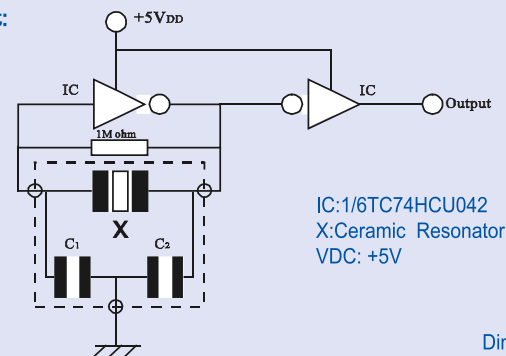
Y Option:
S,D or A

Packaging option:
T for Tape and Reel (4000pcs/reel)

OUTLINE DRAWING:



Test Circuit:



Dimensions: inch (mm)