



[View Cart ::](#)

[Checkout ::](#)

Dome Lens CD290 Series **1-Chip** Dome Lens **Sunlight-Visible** Clear Indicators

9/32" Mtg. Dia. 2-Pin Cartridge Panel LED Lamps

Direct Cross to Dialight Series 507-4xxxx-37xx


(1-chip Sunlight-Viz)

[\(6-chip Sunlight-Viz\)](#)

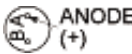
[\(6-chip Hi-Efficiency\)](#)

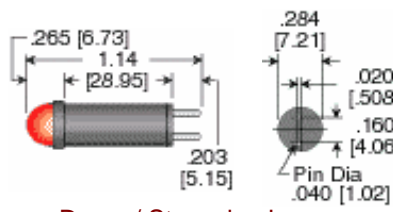
[\(See Special Notes\)](#)

All dimensions in inches [mm]



CD290






Dome / Stovepipe Lens
Cartridge

Notes:

- 1) Part Number shown is for Direct Incandescent replacement LED Cartridge lamp.
- 2) See Accessories & other Custom Options at end of Page.
- 3) AC Types available for OEM applications.
- 4) Other Voltages available for OEM application
- 5) Intensity & Angle shown for LED used. Fluted Lens will reduce Intensity but increase Angle of View



Wire Leads Option
Part No. Example add "-W6"
CD290-0UY-005V-W6

Mark To Order	Part Number	Retail Price (Volume Discount Available)	Min. Order	Input Volts (V)	LED Intensity I _v (mcd) typ	Current I _f (mA) typ	Wave Length (nm)	LED Full Angle
Sunlight Visible Ultra Red (660nm) (1-chip) GaAlAs Tinted-Clear Lens								
	CD290-0UR-005V	\$7.50ea	10	5	120	18-20	660	120°
	CD290-0UR-014V	\$7.50ea	10	12/14	120	18-20	660	120°
	CD290-0UR-028V	\$7.50ea	10	24/28	90	12-15	660	120°
	CD290-0UR-120A	\$10.50ea	10	120VAC	45	6-8	660	120°
Sunlight Visible Super Yellow (585nm) (1-chip) InGaAlP Tinted-Clear Lens								
	CD290-0UY-005V	\$7.50ea	10	5	250	18-20	595	120°
	CD290-0UY-014V	\$7.50ea	10	12/14	250	18-20	595	120°
	CD290-0UY-028V	\$7.50ea	10	24/28	187	12-15	595	120°
	CD290-0UY-120A	\$10.50ea	10	120VAC	94	6-8	595	120°
Sunlight Visible Super Incand. White (1-chip) (8000k) SiC/GaN Water-Clear Lens								
	CD290-0IW-005V	\$9.75ea	10	5	133	15-20	8000K	120°
	CD290-0IW-014V	\$9.75ea	10	12/14	133	15-20	8000K	120°
	CD290-0IW-028V	\$9.75ea	10	24/28	100	12-15	8000K	120°
	CD290-0IW-120A	\$12.75ea	10	120VAC	50	6-8	8000K	120°
Sunlight Visible Super Cool White (1-chip) (8000k) SiC/GaN Water-Clear Lens								
	CD290-0CW-005V	\$9.75ea	10	5	400	15-20	8000K	120
	CD290-0CW-014V	\$9.75ea	10	12/14	400	15-20	8000K	120
	CD290-0CW-028V	\$9.75ea	10	24/28	300	12-15	8000K	120°
	CD290-0CW-120A	\$12.75ea	10	120VAC	150	6-8	8000K	120°
Sunlight Visible Super A.Green (1-chip) (525nm) SiC/GaN Tinted-Clear Lens								

CD290-0AG-005V		\$9.75ea	10	5	666	15-20	525	120°
CD290-0AG-014V		\$9.75ea	10	12/14	666	15-20	525	120°
CD290-0AG-028V		\$9.75ea	10	24/28	500	12-15	525	120°
CD290-0AG-120A		\$12.75ea	10	120VAC	250	6-8	525	120°

Sunlight Visible Super Blue (1-chip) (470nm) SiC/GaN Tinted-Clear Lens

CD290-0PB-005V		\$9.75ea	10	5	233	15-20	470	120°
CD290-0PB-014V		\$9.75ea	10	12/14	233	15-20	470	120°
CD290-0PB-028V		\$9.75ea	10	24/28	175	12-15	470	120°
CD290-0PB-120A		\$12.75ea	10	120VAC	87	6-8	470	120°

Materials

Lens: Polycarbonate **Socket:** Anodized Aluminum **Cartridge Hsg:** Anodized Aluminum (CM/CL/CX290) or Nylon (C290)

Cartridge Pins: Steel or Hard Brass (Non-Solderable)

Special Notes for Custom Configurations:

- 1) For custom OEM large quantity applications, other angles of illumination available.
- 2) For custom OEM large quantity applications for reducing battery drain, low-current versions available.
- 3) For custom OEM large quantity applications, New Technology Sunlight-Visible wide angle Multichips available
- 4) For custom OEM large quantity applications, Standard Intensity wide-angle Multichips available
- 5) For custom OEM large quantity applications, BiColors Available in Single-Chip and Multichip

23105 Kashiwa Ct, Torrance, CA 90505 - PH: (800) 579-4875/(310) 534-1505 - FAX: (310) 534-1424

© Copyright 1997-2003 LEDtronics, Inc. All Rights Reserved - Contact Webmaster@ledtronics.com

i2 Technologies US, Inc.

HTML Pages converted to PDF Document

This document contain component information from the manufacturer's website which are not available in a revision controlled document from the manufacturer. To facilitate the addition of these parts into the Electronics Database, we are converting the HTML pages related to that part, from the manufacturer's website into Adobe PDF format. The contents of this document is based on the information provided on the manufacturer's website, therefore the information may have been changed by the manufacturer since this was created.

