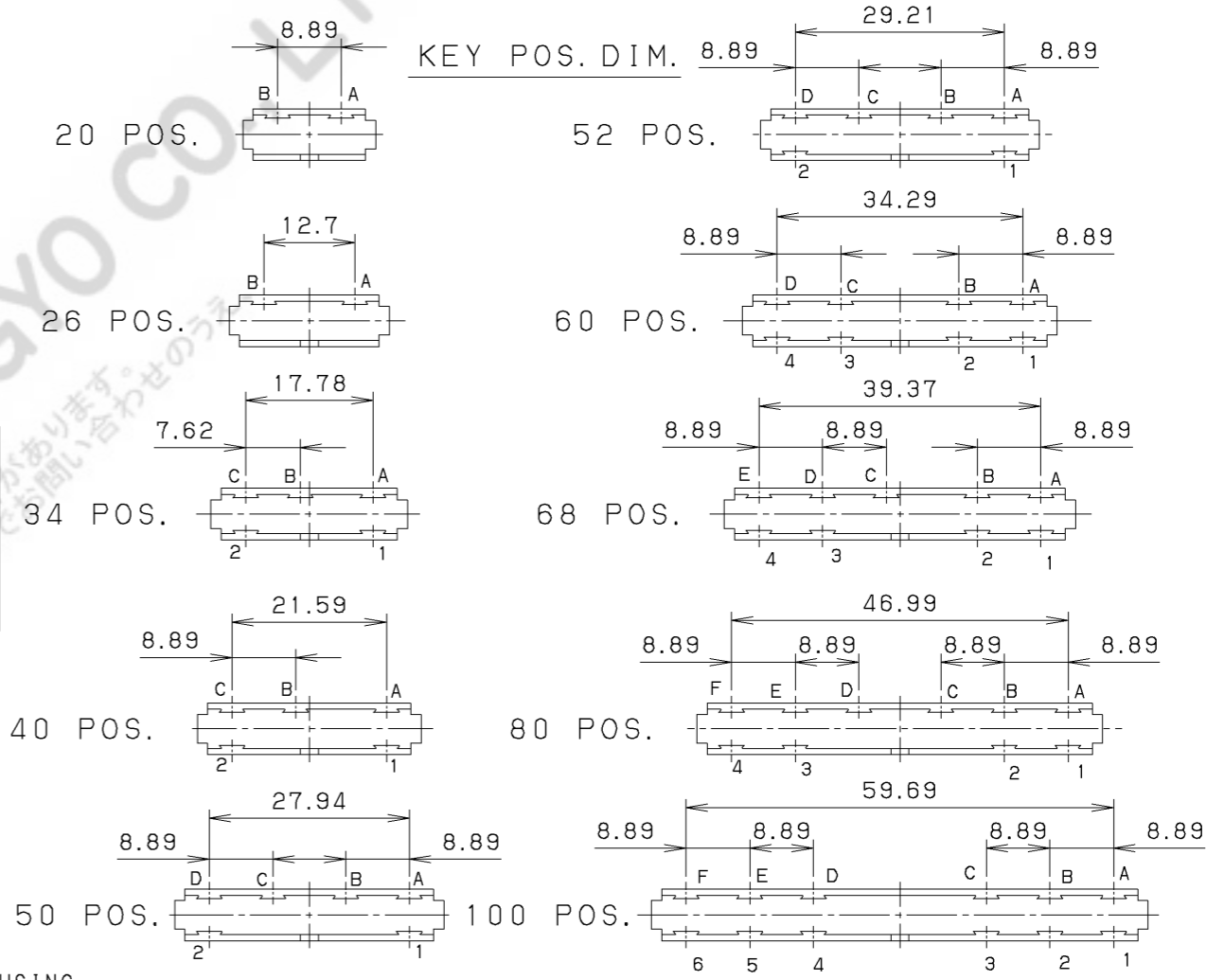
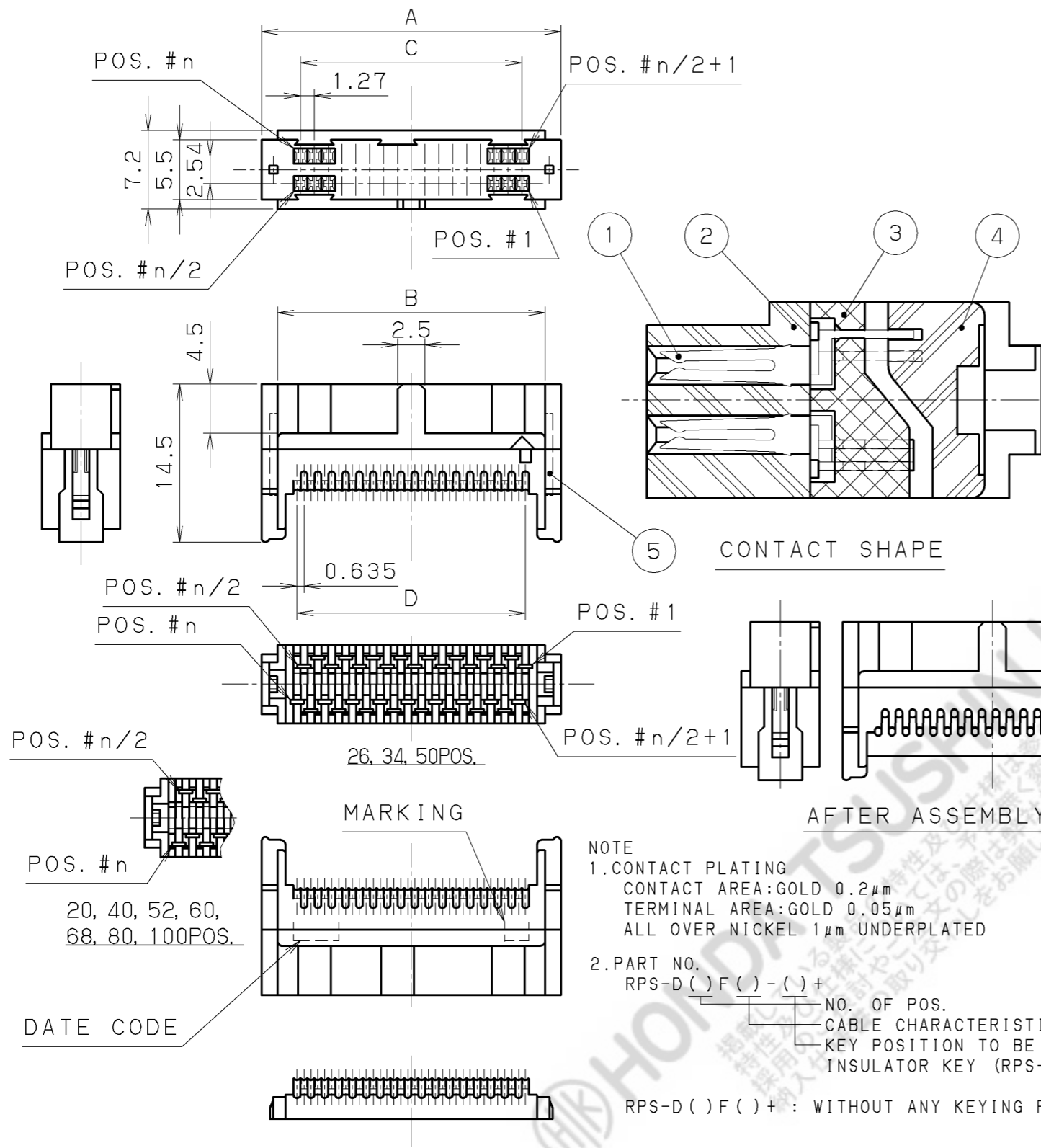


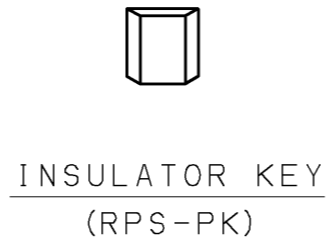
No. OF CONTACT	PART No.	A	B	C	D	STANDARD KEY POSITION
20	RPS-D20F()-()+	18.57	15.67	1.27x9=11.43	0.635x19=12.065	A, B, AB
26	RPS-D26F()-()+	22.38	19.48	1.27x12=15.24	0.635x25=15.875	A, B, AB
34	RPS-D34F()-()+	27.46	24.56	1.27x16=20.32	0.635x33=20.955	1C, 2A, AC
40	RPS-D40F()-()+	31.27	28.37	1.27x19=24.13	0.635x39=24.765	1C, 2A, AC
50	RPS-D50F()-()+	37.62	34.72	1.27x24=30.48	0.635x49=31.115	1D, 2A, AD
52	RPS-D52F()-()+	38.89	35.99	1.27x25=31.75	0.635x51=32.385	1D, 2A, AD
60	RPS-D60F()-()+	43.97	41.07	1.27x29=36.83	0.635x59=37.465	1D, 4A, AD
68	RPS-D68F()-()+	49.05	46.15	1.27x33=41.91	0.635x67=42.545	1E, 4A, AE
80	RPS-D80F()-()+	56.67	53.77	1.27x39=49.53	0.635x79=50.165	1F, 4A, AF
100	RPS-D100F()-()+	69.37	66.47	1.27x49=62.23	0.635x99=62.865	1F, 6A, AF



NOTE  
 1. CONTACT PLATING  
 CONTACT AREA: GOLD 0.2µm  
 TERMINAL AREA: GOLD 0.05µm  
 ALL OVER NICKEL 1µm UNDERPLATED  
 2. PART NO.  
 RPS-D( )F( )-( )+  
 NO. OF POS.  
 CABLE CHARACTERISTICS  
 KEY POSITION TO BE PLUGGED USING  
 INSULATOR KEY (RPS-PK)  
 RPS-D( )F( )+ : WITHOUT ANY KEYING FEATURES.

CABLE CHARACTERISTICS

PART NO.	CABLE CHARACTERISTICS	MARKING
RPS-D( )F-( )+	.025" SPACING FLAT CABLE #32AWG (7/0.08) THICKNESS:0.6mm	—
RPS-D( )FA-( )+	.025" SPACING FLAT CABLE #30AWG (1/0.254) THICKNESS:0.6mm	A
RPS-D( )FB-( )+	.025" SPACING FLAT CABLE #30AWG (7/0.102) THICKNESS:0.6mm	B

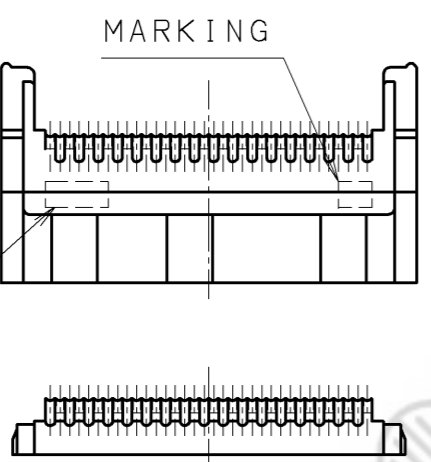
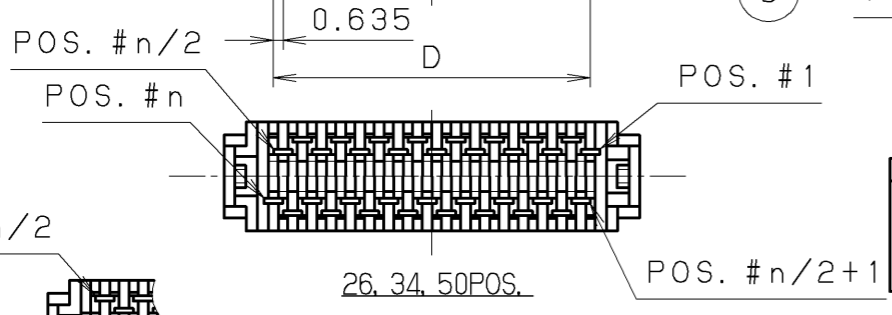
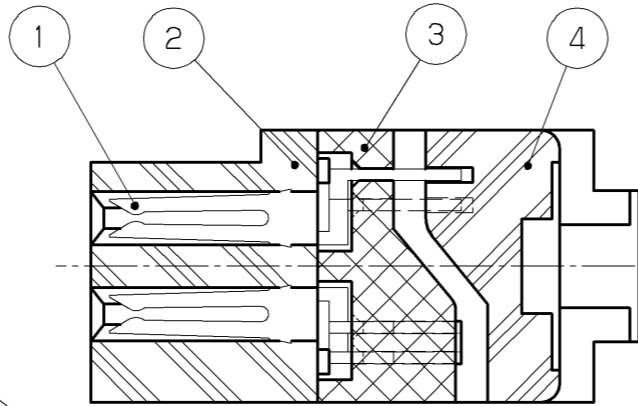
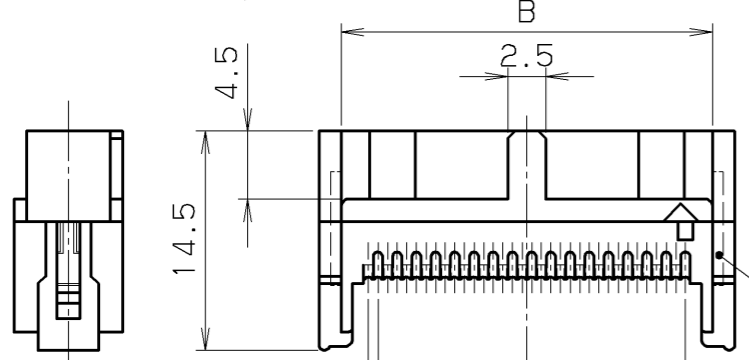
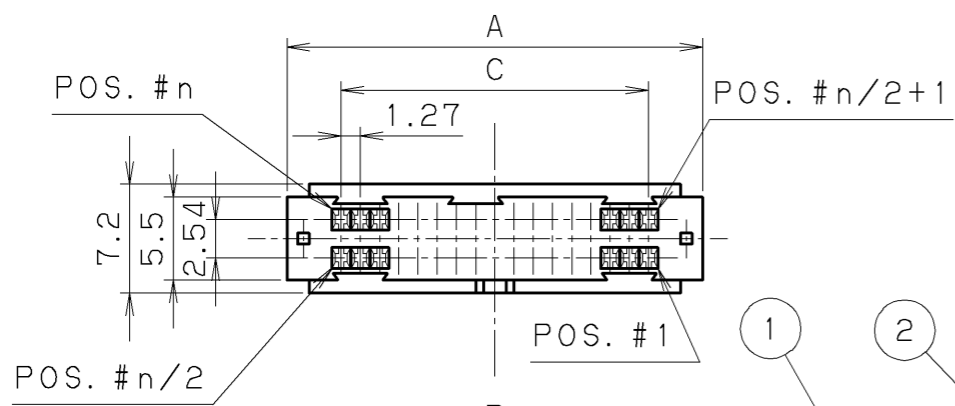


改版 LTR.	年月日 DATE	変更者 BY	変更内容 REV. DESCRIPT	番号 No.	部品名称 PART NAME	材質 MATERIAL	個数 QTY	処理 FINISH	備考 NOTE
△3					5 LOCK PIN	BRONZE	2	NICKEL PLATING	—
△2					4 CABLE COVER	PBT RESIN (GF)	1	—	UL94V-0 BLACK COLOR
△1					3 SPACER	PBT RESIN (GF)	1	—	UL94V-0 BLACK COLOR
					2 INSULATOR	PBT RESIN (GF)	1	—	UL94V-0 BLACK COLOR
					1 CONTACT	PHOSPHOR BRONZE	n	SEE NOTE #1	—

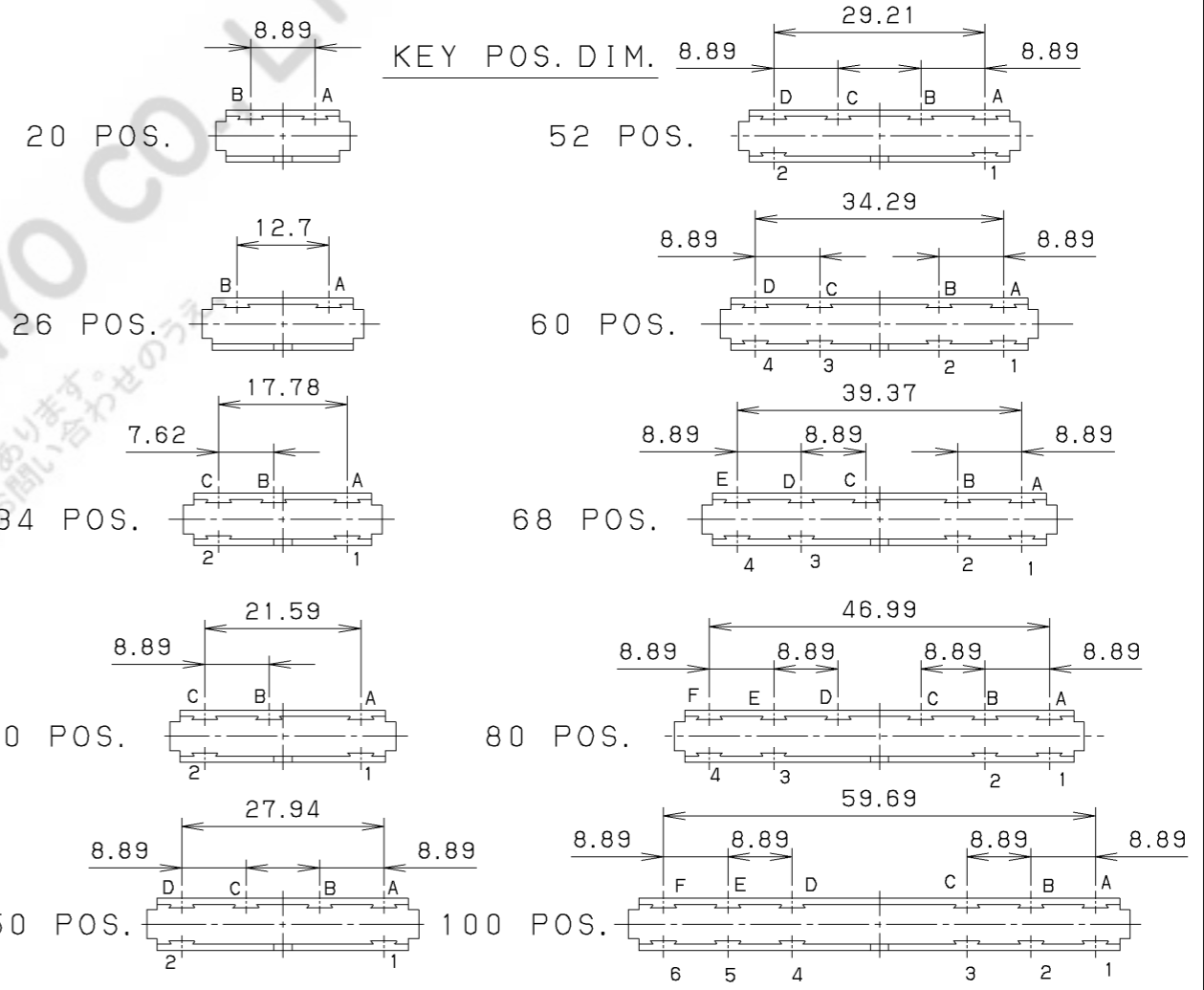
年月日 DATE	尺度 SCALE	単位 UNIT	3角法	本多通信工業株式会社	
Mar.31 (2004)	2/1	mm (INCH)	3RD. A. P	HONDA TSUSHIN KOGYO CO., LTD.	
製 DR.	設 DE.	計 CHK.	検 CHK.	承認 APP.	名称 RPS-D TYPE FEMALE CONNECTOR FOR .025" SPACING FLAT CABLE (RoHS)
Y. OHKI	Y. OHKI	T. SOGO	K. HOMMA	S. FURUSAWA	製番 PART NO. RPS-D( )F( )-( )+ REV

No. OF CONTACT	PART No.	A	B	C	D	STANDARD KEY POSITION
20	RPS-D20F()G1-()+	18.57	15.67	1.27x9=11.43	0.635x19=12.065	A, B, AB
26	RPS-D26F()G1-()+	22.38	19.48	1.27x12=15.24	0.635x25=15.875	A, B, AB
34	RPS-D34F()G1-()+	27.46	24.56	1.27x16=20.32	0.635x33=20.955	1C, 2A, AC
40	RPS-D40F()G1-()+	31.27	28.37	1.27x19=24.13	0.635x39=24.765	1C, 2A, AC
50	RPS-D50F()G1-()+	37.62	34.72	1.27x24=30.48	0.635x49=31.115	1D, 2A, AD
52	RPS-D52F()G1-()+	38.89	35.99	1.27x25=31.75	0.635x51=32.385	1D, 2A, AD
60	RPS-D60F()G1-()+	43.97	41.07	1.27x29=36.83	0.635x59=37.465	1D, 4A, AD
68	RPS-D68F()G1-()+	49.05	46.15	1.27x33=41.91	0.635x67=42.545	1E, 4A, AE
80	RPS-D80F()G1-()+	56.67	53.77	1.27x39=49.53	0.635x79=50.165	1F, 4A, AF
100	RPS-D100F()G1-()+	69.37	66.47	1.27x49=62.23	0.635x99=62.865	1F, 6A, AF



NOTE  
 1. CONTACT PLATING  
 CONTACT AREA: GOLD 0.76μm  
 TERMINAL AREA: GOLD 0.05μm  
 ALL OVER NICKEL 2~3.8μm UNDERPLATED  
 2. PART NO.  
 RPS-D ( ) F ( ) G1 - ( ) +  
 NO. OF POS.  
 CABLE CHARACTERISTICS  
 KEY POSITION TO BE PLUGGED USING  
 INSULATOR KEY (RPS-PK)

RPS-D ( ) F ( ) G1+ : WITHOUT ANY KEYING FEATURES.



CABLE CHARACTERISTICS

PART NO.	CABLE CHARACTERISTICS	MARKING
RPS-D ( ) FG1 - ( ) +	.025" SPACING FLAT CABLE #32AWG (7/0.08) THICKNESS:0.6mm	—
RPS-D ( ) FAG1 - ( ) +	.025" SPACING FLAT CABLE #30AWG (1/0.254) THICKNESS:0.6mm	A
RPS-D ( ) FBG1 - ( ) +	.025" SPACING FLAT CABLE #30AWG (7/0.102) THICKNESS:0.6mm	B



INSULATOR KEY  
(RPS-PK)

数量	部品名	材質	個数	処理	備考
5	LOCK PIN	BRONZE	2	NICKEL PLATING	—
4	CABLE COVER	PBT RESIN (GF)	1	—	UL94V-0 BLACK COLOR
3	SPACER	PBT RESIN (GF)	1	—	UL94V-0 BLACK COLOR
2	INSULATOR	PBT RESIN (GF)	1	—	UL94V-0 BLACK COLOR
1	CONTACT	PHOSPHOR BRONZE	n	SEE NOTE #1	—

改版 LTR.	年月日 DATE	変更者 BY	変更内容 REV. DESCRIPT	番号 No.	部品名称 PART NAME	材質 MATERIAL	個数 QTY	処理 FINISH	備考 NOTE
	Mar. 31 (2003)		2/1						

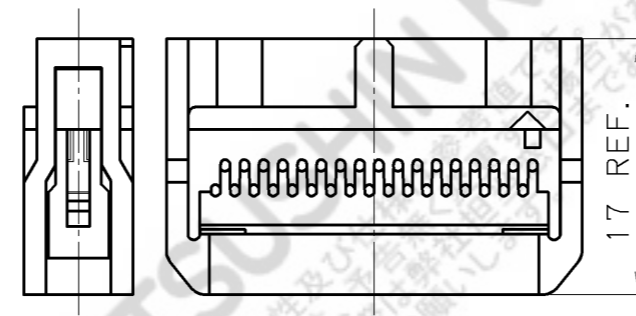
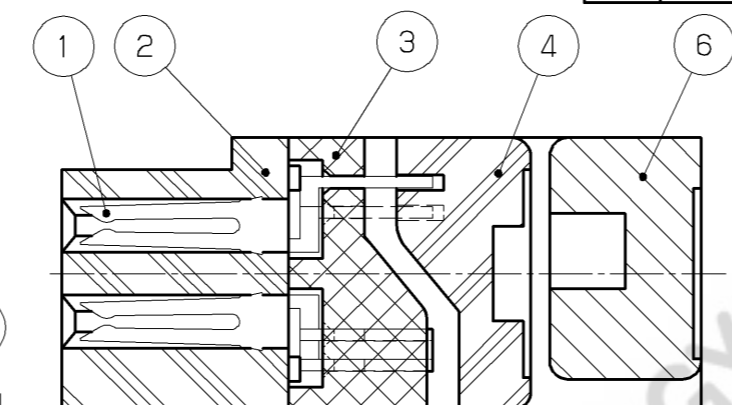
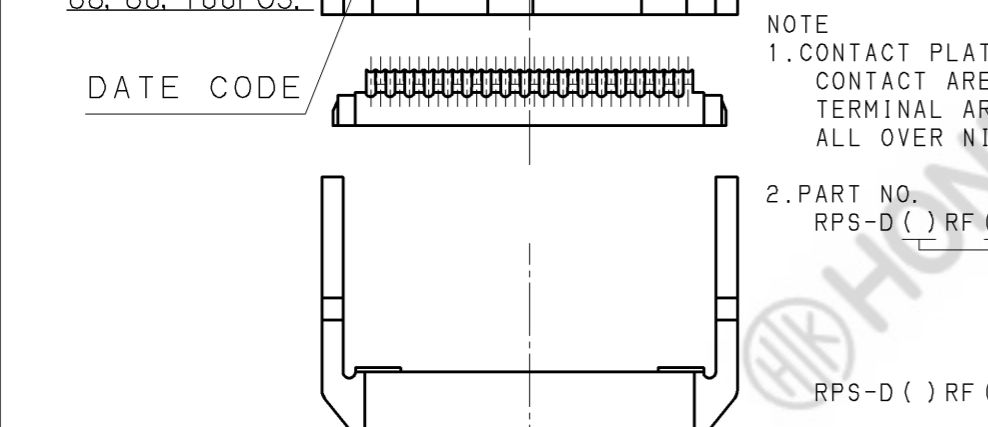
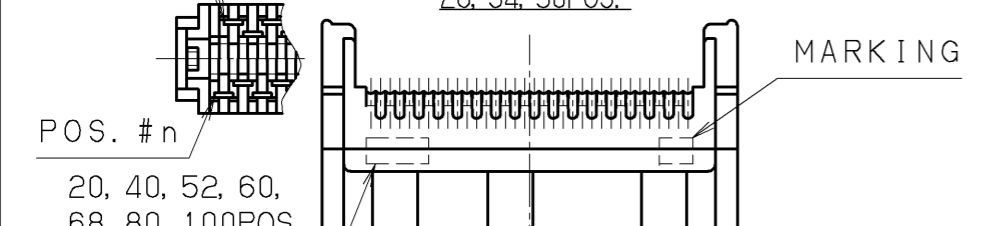
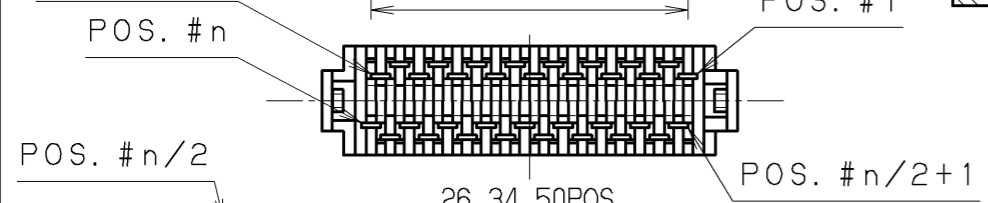
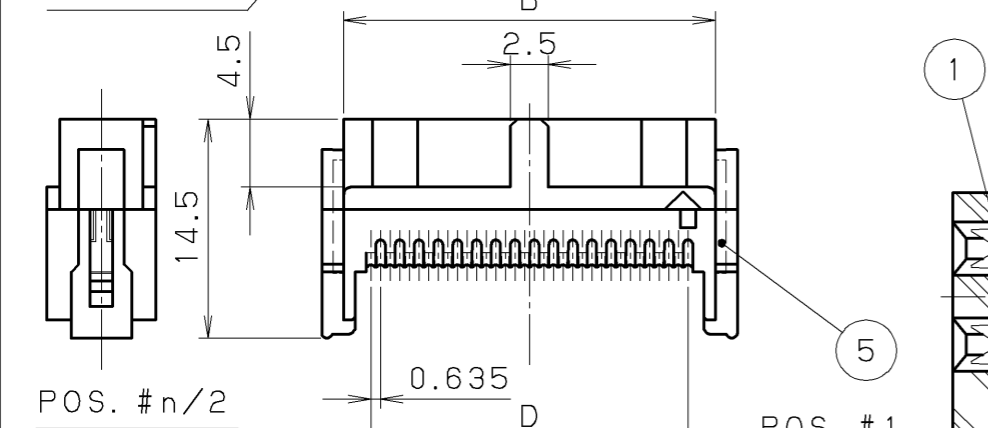
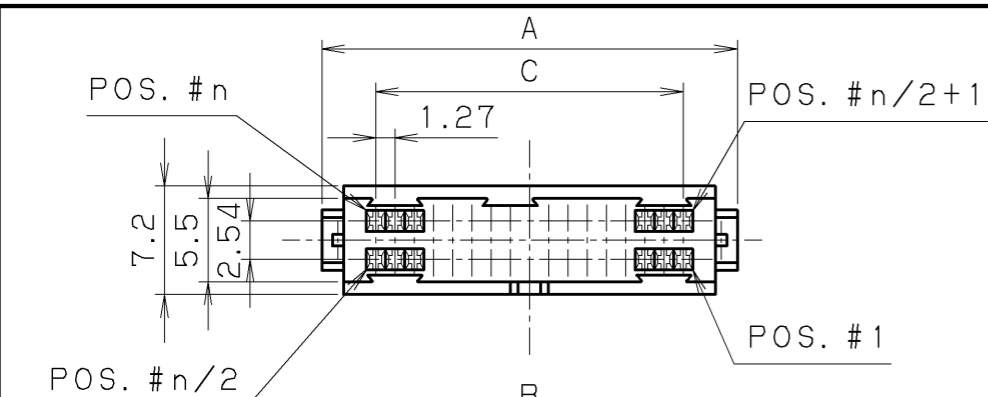
  

年月日 DATE	尺度 SCALE	単位 UNIT	3角法	本多通信工業株式会社	
Mar. 31 (2003)	2/1	mm (INCH)	3RD. A. P	HONDA TSUSHIN KOGYO CO., LTD.	

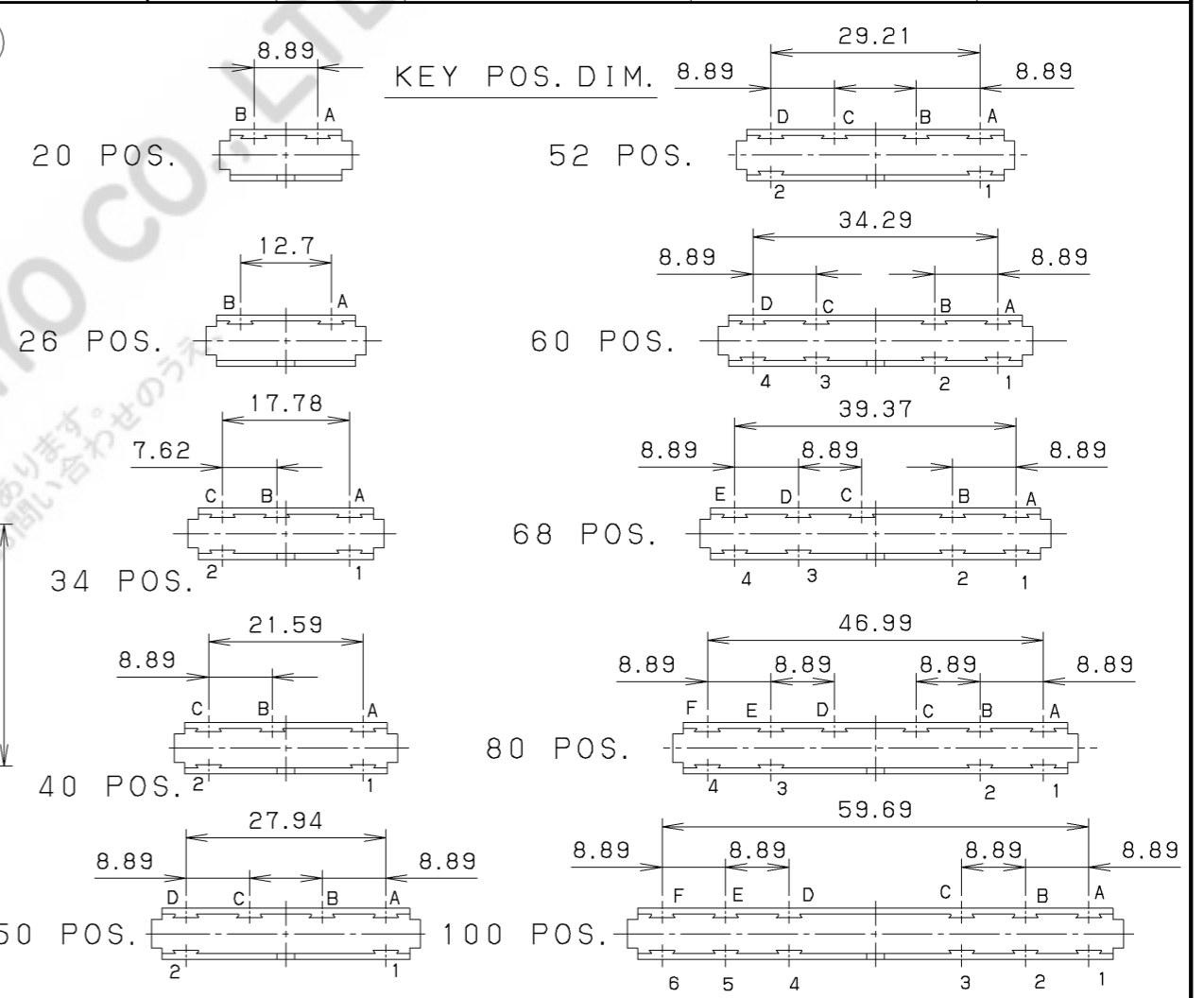
  

製 DR.	設 DE.	計 CHK.	検 CHK.	認 APP.	名称 NAME	製番 PART NO.	REV
Y. OHKI	Y. OHKI	T. SOGO	K. HOMMA	S. FURUSAWA	RPS-D TYPE FEMALE CONNECTOR FOR .025" SPACING FLAT CABLE (RoHS)	RPS-D ( ) F ( ) G1 - ( ) +	

No. OF CONTACT	PART No.	A	B	C	D	STANDARD KEY POSITION
20	RPS-D20RF ( ) - ( ) +	18.57	15.67	1.27x9=11.43	0.635x19=12.065	A, B, AB
26	RPS-D26RF ( ) - ( ) +	22.38	19.48	1.27x12=15.24	0.635x25=15.875	A, B, AB
34	RPS-D34RF ( ) - ( ) +	27.46	24.56	1.27x16=20.32	0.635x33=20.955	1C, 2A, AC
40	RPS-D40RF ( ) - ( ) +	31.27	28.37	1.27x19=24.13	0.635x39=24.765	1C, 2A, AC
50	RPS-D50RF ( ) - ( ) +	37.62	34.72	1.27x24=30.48	0.635x49=31.115	1D, 2A, AD
52	RPS-D52RF ( ) - ( ) +	38.89	35.99	1.27x25=31.75	0.635x51=32.385	1D, 2A, AD
60	RPS-D60RF ( ) - ( ) +	43.97	41.07	1.27x29=36.83	0.635x59=37.465	1D, 4A, AD
68	RPS-D68RF ( ) - ( ) +	49.05	46.15	1.27x33=41.91	0.635x67=42.545	1E, 4A, AE
80	RPS-D80RF ( ) - ( ) +	56.67	53.77	1.27x39=49.53	0.635x79=50.165	1F, 4A, AF
100	RPS-D100RF ( ) - ( ) +	69.37	66.47	1.27x49=62.23	0.635x99=62.865	1F, 6A, AF

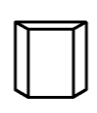


NOTE  
 1. CONTACT PLATING  
 CONTACT AREA: GOLD 0.2μm  
 TERMINAL AREA: GOLD 0.05μm  
 ALL OVER NICKEL 1μm UNDERPLATED  
 2. PART NO.  
 RPS-D ( ) RF ( ) - ( ) +  
 NO. OF POS.  
 CABLE CHARACTERISTICS  
 KEY POSITION TO BE PLUGGED USING  
 INSULATOR KEY (RPS-PK)  
 RPS-D ( ) RF ( ) + : WITHOUT ANY KEYING FEATURES.



CABLE CHARACTERISTICS

PART NO.	CABLE CHARACTERISTICS	MARKING
RPS-D ( ) RF - ( ) +	.025" SPACING FLAT CABLE #32AWG (7/0.08) THICKNESS:0.6mm	—
RPS-D ( ) RFA - ( ) +	.025" SPACING FLAT CABLE #30AWG (1/0.254) THICKNESS:0.6mm	A
RPS-D ( ) RFB - ( ) +	.025" SPACING FLAT CABLE #30AWG (7/0.102) THICKNESS:0.6mm	B

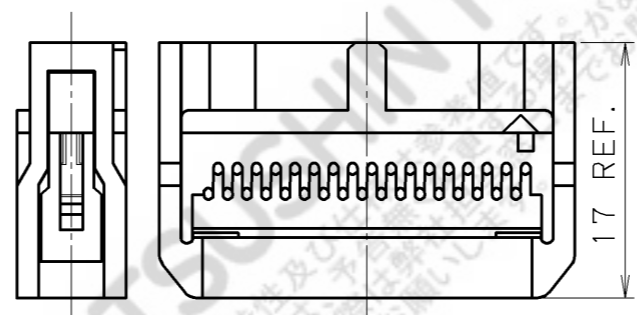
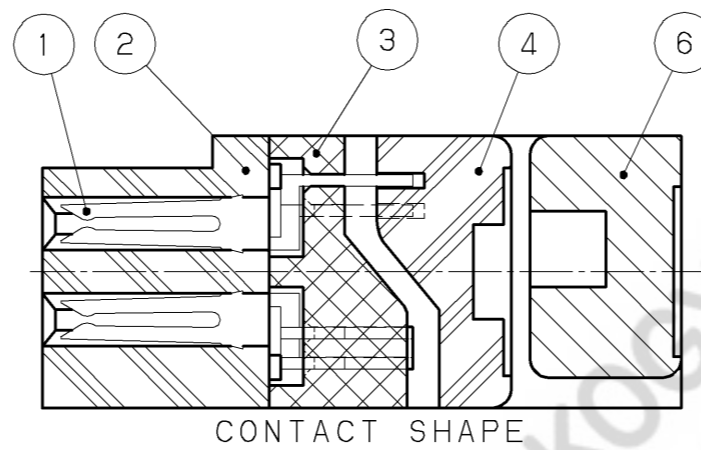
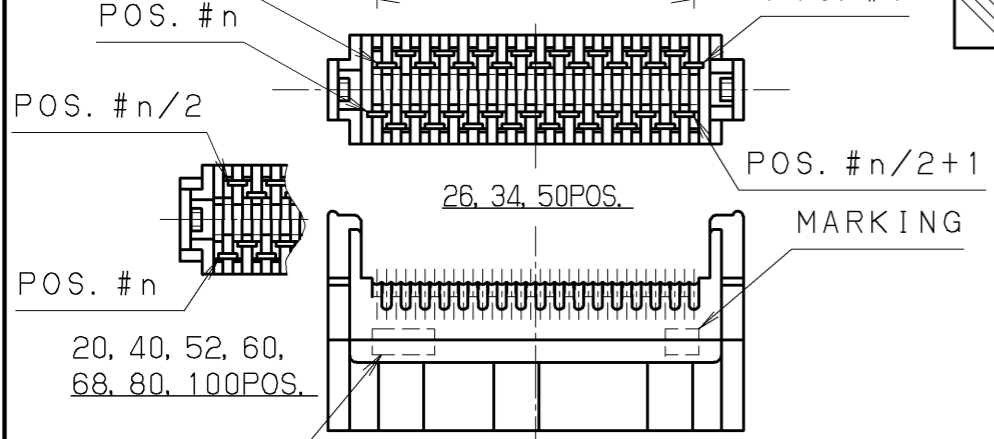
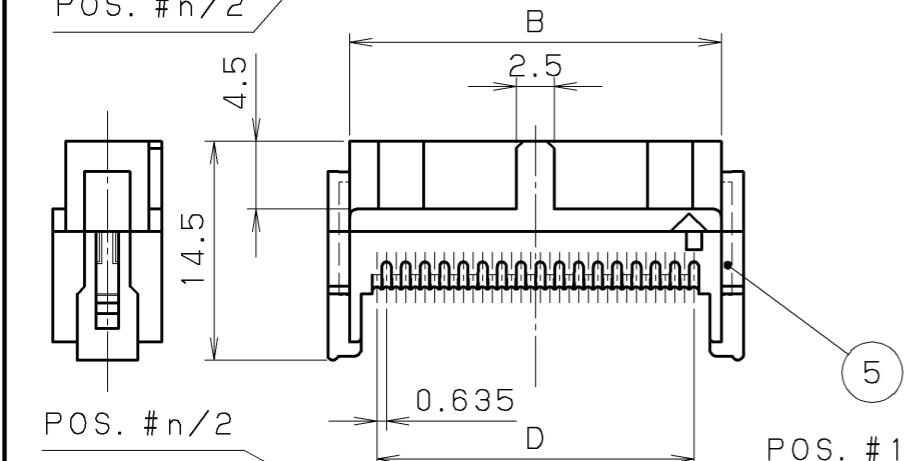
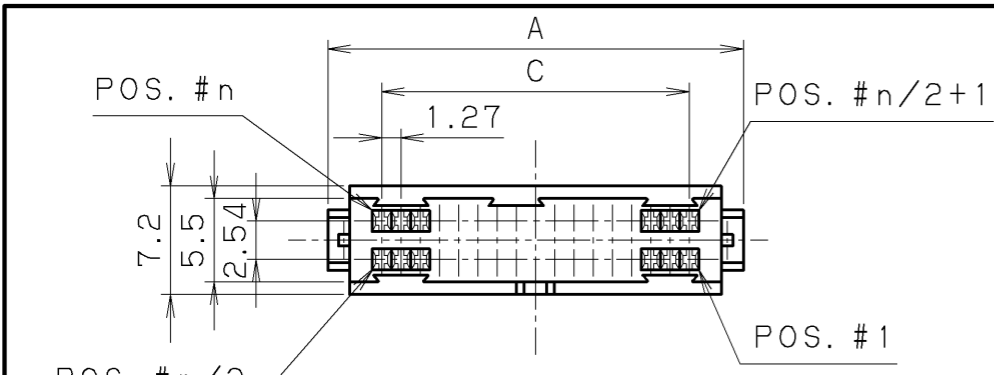


INSULATOR KEY  
(RPS-PK)

NO.	DESCRIPTION	MATERIAL	QTY	FINISH	NOTE
6	STRAIN RELIEF	PBT RESIN (GF)	1	—	UL94V-0 BLACK COLOR
5	LOCK PIN	BRONZE	2	NICKEL PLATING	—
4	CABLE COVER	PBT RESIN (GF)	1	—	UL94V-0 BLACK COLOR
3	SPACER	PBT RESIN (GF)	1	—	UL94V-0 BLACK COLOR
2	INSULATOR	PBT RESIN (GF)	1	—	UL94V-0 BLACK COLOR
1	CONTACT	PHOSPHOR BRONZE	n	SEE NOTE #1	—

改版 LTR.	年月日 DATE	変更者 BY	変更内容 REV. DESCRIPT	番号 No.	部品名称 PART NAME	材質 MATERIAL	個数 QTY	処理 FINISH	備考 NOTE
	Mar. 31 (2004)		2/1		3RD. A. P				
年月日 DATE 尺度 SCALE 単位 UNIT 3角法					本多通信工業株式会社 HONDA TSUSHIN KOGYO CO., LTD.				
製 設 計 検 図 承 認					名 稱 RPS-D TYPE FEMALE CONNECTOR FOR .025" SPACING FLAT CABLE (RoHS)				
DR. DE. CHK. CHK. APP.					製 番 PART NO. RPS-D ( ) RF ( ) - ( ) +				
Y. OHKI Y. OHKI T. SOGO K. HOMMA S. FURUSAWA					REV				

No. OF CONTACT	PART No.	A	B	C	D	STANDARD KEY POSITION
20	RPS-D20RF ( ) G1- ( ) +	18.57	15.67	1.27x9=11.43	0.635x19=12.065	A, B, AB
26	RPS-D26RF ( ) G1- ( ) +	22.38	19.48	1.27x12=15.24	0.635x25=15.875	A, B, AB
34	RPS-D34RF ( ) G1- ( ) +	27.46	24.56	1.27x16=20.32	0.635x33=20.955	1C, 2A, AC
40	RPS-D40RF ( ) G1- ( ) +	31.27	28.37	1.27x19=24.13	0.635x39=24.765	1C, 2A, AC
50	RPS-D50RF ( ) G1- ( ) +	37.62	34.72	1.27x24=30.48	0.635x49=31.115	1D, 2A, AD
52	RPS-D52RF ( ) G1- ( ) +	38.89	35.99	1.27x25=31.75	0.635x51=32.385	1D, 2A, AD
60	RPS-D60RF ( ) G1- ( ) +	43.97	41.07	1.27x29=36.83	0.635x59=37.465	1D, 4A, AD
68	RPS-D68RF ( ) G1- ( ) +	49.05	46.15	1.27x33=41.91	0.635x67=42.545	1E, 4A, AE
80	RPS-D80RF ( ) G1- ( ) +	56.67	53.77	1.27x39=49.53	0.635x79=50.165	1F, 4A, AF
100	RPS-D100RF ( ) G1- ( ) +	69.37	66.47	1.27x49=62.23	0.635x99=62.865	1F, 6A, AF



NOTE  
 1. PART NO.  
 RPS-D ( ) RF ( ) G1- ( ) +  
 NO. OF POS.  
 CABLE CHARACTERISTICS  
 KEY POSITION TO BE PLUGGED USING  
 INSULATOR KEY (RPS-PK)  
 RPS-D ( ) RF ( ) G1+ : WITHOUT ANY KEYING FEATURES.

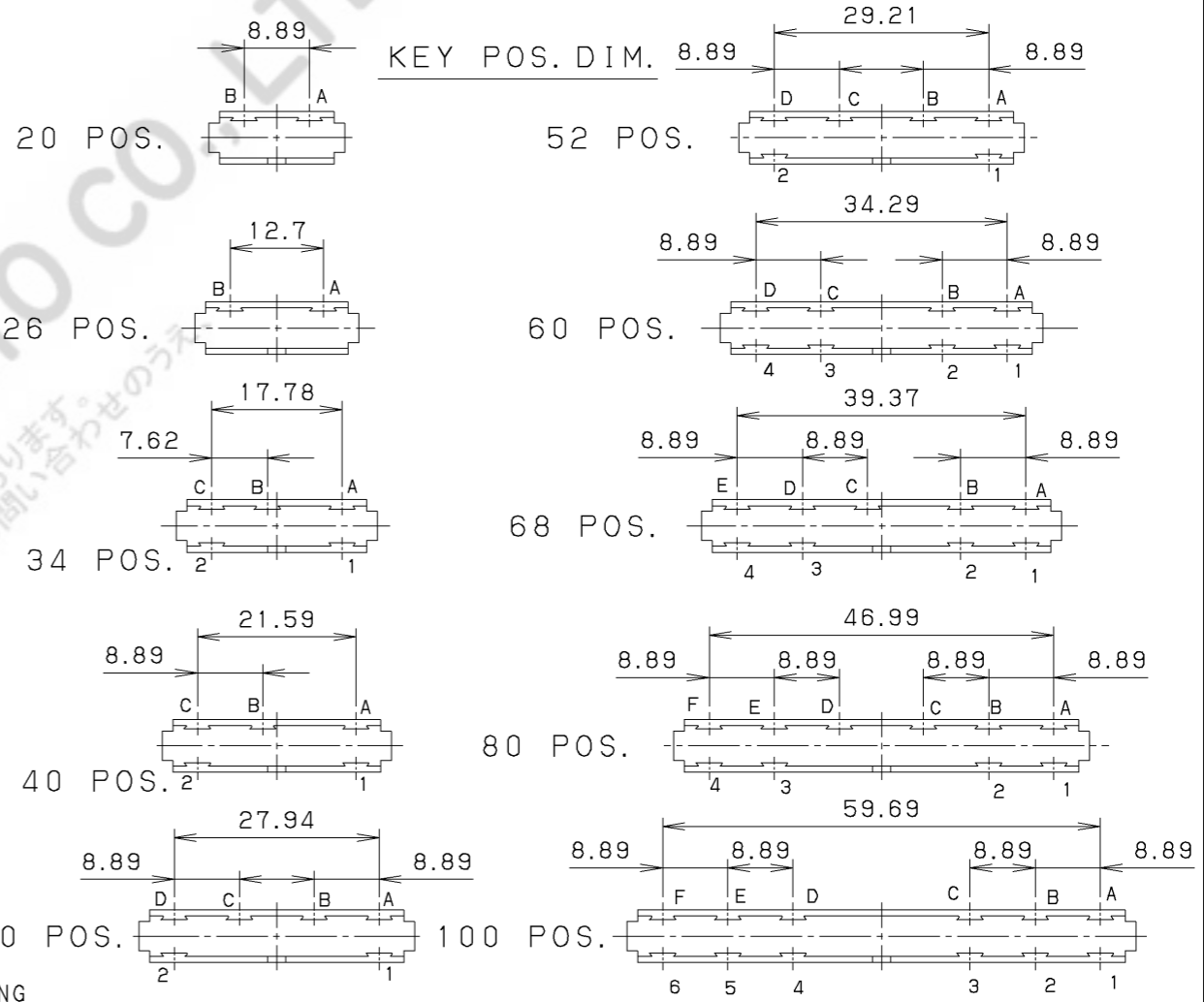
2. CONTACT PLATING  
 CONTACT AREA: GOLD 0.76μm  
 TERMINAL AREA: GOLD 0.05μm  
 UNDER PLATING: NICKEL 2~3.8μm

CABLE CHARACTERISTICS

PART NO.	CABLE CHARACTERISTICS	MARKING
RPS-D ( ) RF G1- ( ) +	.025" SPACING FLAT CABLE #32AWG (7/0.08) THICKNESS: 0.6mm	—
RPS-D ( ) RFAG1- ( ) +	.025" SPACING FLAT CABLE #30AWG (1/0.254) THICKNESS: 0.6mm	A
RPS-D ( ) RFBG1- ( ) +	.025" SPACING FLAT CABLE #30AWG (7/0.102) THICKNESS: 0.6mm	B



INSULATOR KEY (RPS-PK)



6	STRAIN RELIEF	PBT RESIN (GF)	1	—	UL94V-0 BLACK COLOR
5	LOCK PIN	BRONZE	2	NICKEL PLATING	—
4	CABLE COVER	PBT RESIN (GF)	1	—	UL94V-0 BLACK COLOR
3	SPACER	PBT RESIN (GF)	1	—	UL94V-0 BLACK COLOR
2	INSULATOR	PBT RESIN (GF)	1	—	UL94V-0 BLACK COLOR
1	CONTACT	PHOSPHOR BRONZE	n	SEE NOTE #2	—

改版 LTR.	年月日 DATE	変更者 BY	変更内容 REV. DESCRIPT	番号 No.	部品名称 PART NAME	材質 MATERIAL	個数 QTY	処理 FINISH	備考 NOTE
	Mar. 31 (2004)		2/1		3RD. A. P				
年月日 DATE 尺度 SCALE 単位 UNIT 3角法						本多通信工業株式会社 HONDA TSUSHIN KOGYO CO., LTD.			
製 DR.	設 DE.	計 CHK.	検 CHK.	承 APP.	名 称 NAME	RPS-D TYPE FEMALE CONNECTOR FOR .025" SPACING FLAT CABLE (RoHS)			
Y. OHKI	Y. OHKI	T. SOGO	K. HOMMA	S. FURUSAWA	製 番 PART NO.	RPS-D ( ) RF ( ) G1- ( ) + REV			