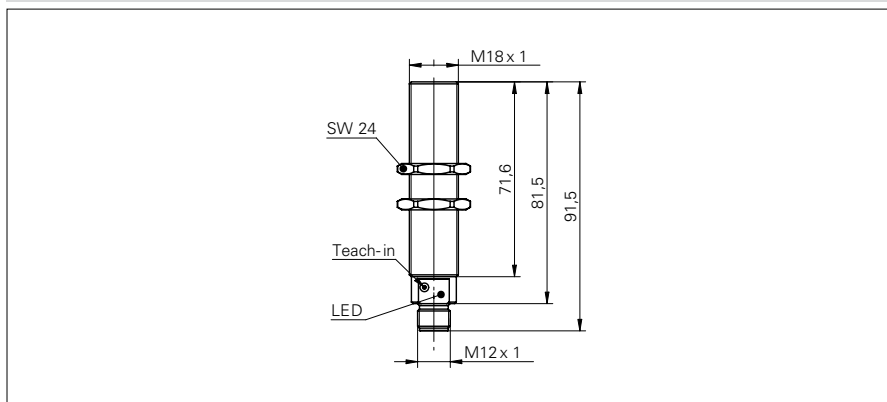


Ultrasonic distance measuring sensors

UNAR 18 (Sde = 400 mm)

sample drawing



general data

special type	chemically resistant
scanning range sd	60 ... 400 mm
scanning range close limit Sdc	60 ... 400 mm
scanning range far limit Sde	60 ... 400 mm
repeat accuracy	< 0,5 mm
resolution	< 0,3 mm
adjustment	Teach-in
sonic frequency	400 kHz
response time ton	< 25 ms
release time toff	< 25 ms
alignment aid	target indication flashing
light indicator	yellow LED / red LED
temperature drift	< 2 % of distance to target So

sample picture



electrical data

voltage supply range +Vs	15 ... 30 VDC
output current	< 20 mA
residual ripple	< 10 % Vs
short circuit protection	yes
reverse polarity protection	yes

voltage output

current consumption max.	35 mA
output signal	0 ... 10 V / 10 ... 0 V

current output

current consumption max.	55 mA
output signal	4 ... 20 mA / 20 ... 4 mA
load resistance +Vs max.	< 1100 Ohm
load resistance +Vs min.	< 400 Ohm

Ultrasonic distance measuring sensors

UNAR 18 (Sde = 400 mm)

mechanical data	
type	cylindrical
housing material	stainless steel 1.4435 (V4A)
coating active face	Parylene
material O-ring	FFKM
front of sensor durable against pressure	6 bar, 20'000 cycle
width / diameter	18 mm
height / length	91,5 mm
connection types	connector M12

ambient conditions	
operating temperature	0 ... +60 °C
protection class	IP 67

order reference	output circuit
UNAR 18I6912/S14G	current output
UNAR 18U6912/S14G	voltage output